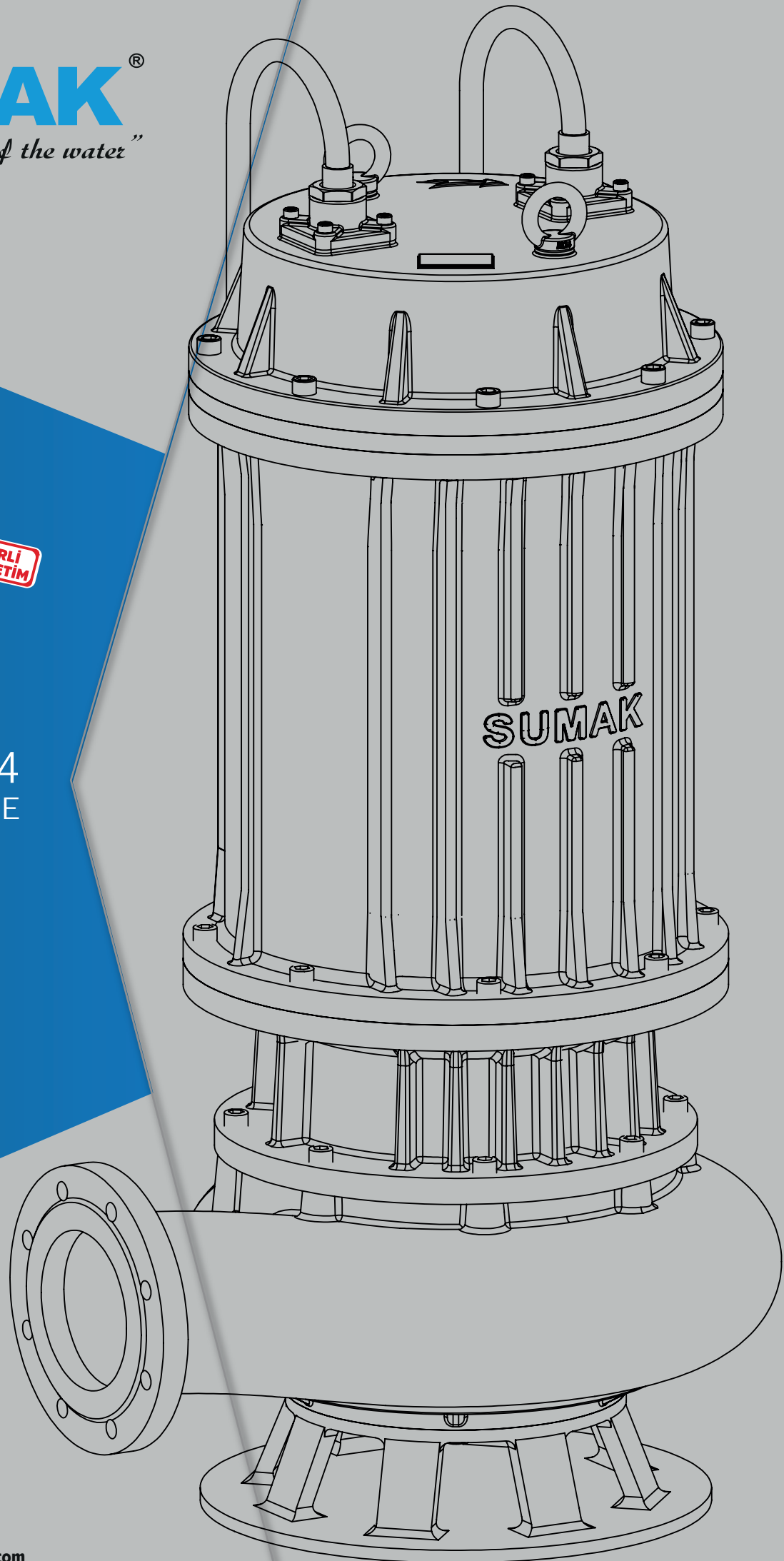




2024
PRODUCT CATALOGUE





KALİTE YÖNETİM SİSTEMİ BELGESİ

QUALITY MANAGEMENT SYSTEM CERTIFICATE



TÜRK STANDARDLARI ENSTİTÜSÜ
bu belge ile

SUMAK POMPA A.Ş.
ÇERKEŞLİ OSB MAH. İMES 9. CAD. NO:14
DİLOVASI -
KOCAELİ / TÜRKİYE

kuruluşunun TS EN ISO 9001:2015 şartlarına uygun bir KALİTE
YÖNETİM SİSTEMİNE sahip olduğunu onaylar.



TURKISH STANDARDS INSTITUTION
hereby certifies that the organization

SUMAK POMPA A.Ş.
ÇERKEŞLİ OSB MAH. İMES 9. CAD. NO:14
DİLOVASI -
KOCAELİ / TÜRKİYE

has a QUALITY MANAGEMENT SYSTEM which fulfills
the requirements of the TS EN ISO 9001:2015

Belge kapsamı Ek'te verilmiştir



Bu belge belgelendirme şartlarına
uygunluk sağlandığı sürece geçerlidir.

TÜRK STANDARDLARI ENSTİTÜSÜ
TURKISH STANDARDS INSTITUTION

Scope of the certificate is given in annex

Belge No / Certificate No	KY-5153-07/09-R15
Belge Tarihi / Date of Certificate	28.09.2021
Geçerlilik Tarihi / Valid Until	11.10.2024
Revizyon Tarihi / Date of Revision	28.09.2021
İlk Belge Tarihi / Initial Certification Date	04.09.2007

This certificate is valid provided that compliance
with the certification requirement is maintained.

İstanbul Belgelendirme Müdürü
İstanbul Certification Manager

Ahmet Nursi Kartal

Türk Standardları Enstitüsü Türk Akreditasyon Kurumu TÜRKAK tarafından akredite edilmiştir.
Turkish Standards Institution, has been accredited by the Turkish Accreditation Agency TÜRKAK.



Sumak Pump, which was established in 1992 to manufacture water pumps, it is a 100% Turkish-founded company that designs, manufacturers, markets, sells and supports after sales activities on electric panels as a 21.500 m² closed area water pumps and motors when it is day. As of 2018, It gained a corporate identity by changing its title as SUMAK POMPA A.S. With its competent engineer, technician, mechanist staff and 185 employees in total, Sumak Pump produces all of its products originally in its own production.

Sumak Pump, which is involved in every stage of the development of the pump industry in Turkey, also follows the technological developments around the world and integrates them into the processes. In addition, it has increased its product range developed for needs to 1740 units and its annual production quantity to 135,000 units, and continues to grow by expanding its exports to 65 countries.

Sumak Pump, with the awareness of the difficulty and sensitivity of operating the opposite duo of water and electricity together, has registered its products, which it produces in accordance with international regulations and standards with TSE-TSEK-CE quality certificates. The product groups, which all of them are under guarantee of our company are offered to customers through with 880 sales places and 175 authorized service networks in the domestic market

Sumak Pump, which has TSE-ISO-EN 9008 quality management system certificates, continues on its way with the vision of being in the sector as the company that exports the most and being among the top 5 most known companies in the domestic pump market. It aims to take the company's mission to the next level with its infrastructure and R&D studies, which it continues to develop by offering innovative solutions and to ensure permanent satisfaction by offering environmentally sensitive products to customer service with an honest, respectful, quality service policy.

With our best Regards,



****You can visit our website www.sumakpompa.com for more information.***

****Our company is not responsible for typographical errors.***

Advice Line



444 11 62





Drainage Submersible Pumps



Page 1 - 3

Few Dirty Water Submersible Pumps



Page 4 - 8

Waste Water Drainage Submersible Pumps With Cooling Jacket



Page 9 - 11

Wastewater Drainage Submersible Pumps



Page 12 - 14

Septic Submersible Pumps



Page 15 - 25

1450 RPM Heavy Duty Septic Submersible Pumps



Page 26 - 28

1450 RPM Septic Submersible Pumps



Page 29

Septic Submersible Pumps



Page 30

1450 RPM Septic Submersible Pumps



Page 31

1450 RPM Muddy Water Submersible Pumps With Mixer



Page 32

Septic Submersible Pumps With Blade



Page 33 - 34

Septic Submersible Pumps With Grinder Blade



Page 35 - 37

Septic Submersible Pumps With Thermoplastic Tank



Page 38

Drainage Submersible Pumps With Elevator Floater



Page 39

Septic Submersible Pumps With Elevator Floater



Page 40

Clean Water Submersible Pumps



Page 41 - 43

4" Stainless Steel Submersible Pumps



Page 44

5" Submersible Pumps



Page 45

5" Stainless Steel Submersible Pumps



Page 46

4" Solar Energy Submersible Pumps



Page 47

4" Submersible Pumps Motors



Page 48

4" Submersible Pumps



Page 49 - 52

Electromagnetic Submersible Pumps



Page 53 - 54

Bilge Submersible Pumps



Page 55

Macerator Pump



Page 56

Stainless Steel Self Priming Jet Pumps



Page 62

Self Flapped Pumps



Page 77 - 78

Stainless Steel Centrifugal Pumps



Page 82 - 89

Horizontal Multistage Pumps



Page 103 - 108

2900 RPM And 1450 RPM Inline Centrifugal Pumps



Page 143 - 149

Peripheral Pumps



Page 58

Hot Water Mini Booster



Page 63

Jacuzzi Pumps



Page 79

Completely Stainless Steel Centrifugal Pumps



Page 90 - 96

2900 RPM and 1450 RPM Horizontal Multistage Pumps



Page 109 - 122

Package Booster Sets



Page 153 - 154

Self Priming Jet Pumps



Page 59 - 60

Centrifugal Pumps



Page 64 - 72

Pool Pumps



Page 80

Circulation Pumps With Frequency Controlled



Page 97 - 100

2900 RPM And 1450 RPM EN 733 Centrifugal Pumps



Page 123 - 140

End Suction Horizontal Double Stage Booster Sets



Page 155

Silent Jet Pumps With Cast Iron Body



Page 61

Double Stage Centrifugal Pumps



Page 73 - 76

Stainless Steel Body Multistage Pumps



Page 81

Diesel Engine Motopumps



Page 101 - 102

2900 RPM Split Case Pumps



Page 141 - 142

Completely Stainless Steel End Suction Multistage Pumps



Page 156

Stainless Steel Inline Multistage Pumps / Boosters



Page 157 - 160

Vertical Multistage Pumps / Boosters With, Stainless Steel Impeller And Diffuser



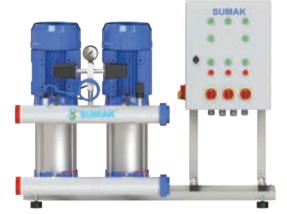
Page 161 - 164

Vertical Multistage Pumps / Boosters



Page 165 - 184

Boosters With Frequency Controller



Page 185

Vertical Multistage Pumps With Frequency Controller



Page 186

Vertical Multistage Fire Booster Sets



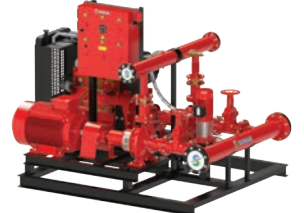
Page 191 - 193

Horizontal Multistage Fire Booster Sets



Page 194 - 199

Fire Boosters Sets



Page 200 - 201

Split Case Fire Boosters Sets



Page 202 - 203

Liquid Fluid Pipe Loss Table	-----	151
Booster Set Selection Table	-----	152
General Information About Fire Fighting Systems	-----	188
Fire Pump Selection Table	-----	189-190
Fire Fighting Systems	-----	205
Electrical Cable Selection Table	-----	206

SDF5



DEFINITION

These pumps with a techno Polymer body are easily portable, easy to install and automatically operating (with floater) pumps. Designed for use in the drainage of clear or few dirty water.

It has cooling Jacket, stainless engine body, internal thermal protection and automatic reset.

These pumps are manufactured at frequencies of 50 Hz and 60 Hz.

USAGE AREAS

These pumps are used in residential areas, basement water and elevator shafts, industrial facilities, waterfalls, basements water, ornamental pools, standing water and for the discharge of water containing max. 3 mm particles.

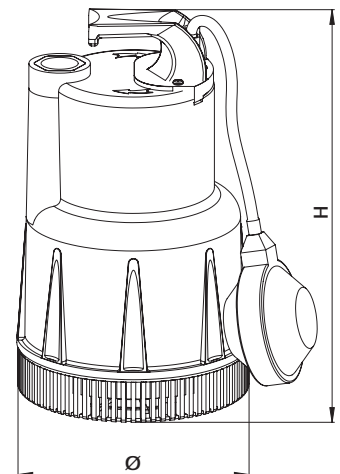
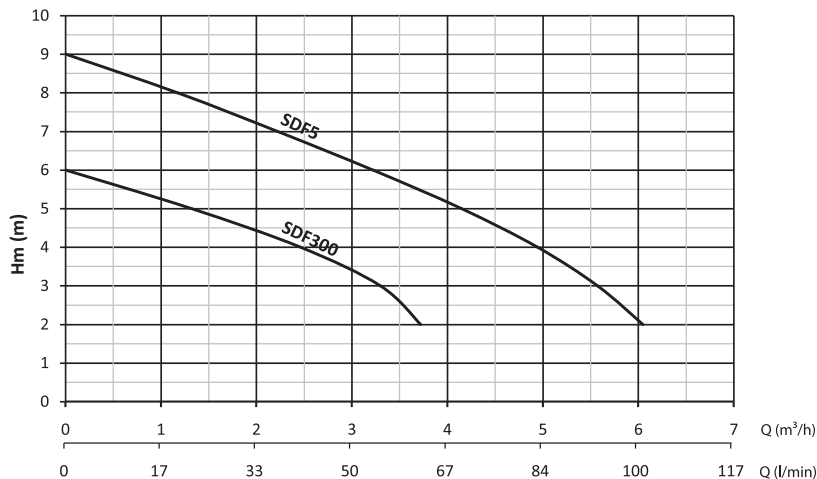
PUMP MATERIAL PROPERTIES

PUMP BODY	PPH
IMPELLER	NORYL
SHAFT	AISI 420 INOX
FLOW RATE (max.)	6 m ³ /hour
TOTAL HEAD (max.)	9 m
LIQUID TEMPERATURE	0-30°C
PROTECTION CLASS	IP 68
INSULATION	Cl.F
CABLE LENGHT	10 m
MECHANICAL SEAL	SIC / SIC
PUMP DURABILITY PRESSURE (Pmax)	2 bar

Type	Control Panel	Open Impeller	Closed Impeller	Blade	Stainless (AISI 304 INOX)	Cast Iron Impeller (GG25)	Noryl Impeller	Thermic Protection
SDF300		✓					✓	✓
SDF5		✓					✓	✓

TECHNICAL SPECIFICATIONS

TYPE	MOTOR							PUMP											
	KW	HP	V	Hz	A	RPM	CAPACITOR uf Vc	Hm	OUTPUT	Ø mm	H mm	KG	▽ m	m ³ /h	1	3	5	7	10
SDF300	0.25	0.33	220	50	1.3	2900	8 450	6	1"	147	248	4.5	5	mss	5.2	3.5	-	-	-
SDF5	0.37	0.5	220	50	1.7	2900	10 450	9	1"	147	248	5.2	5		8	6	4	-	-



SDF6



DEFINITION

These pumps with stainless steel body are easily portable, easy to install and automatically operating (with floater) pumps. It is designed for use in the drainage of clean or few dirty water.

It has cooling Jacket, stainless engine body, internal thermal protection and automatic reset.

These pumps are manufactured at frequencies of 50 Hz and 60 Hz.

USAGE AREAS

These pumps are used in residential areas, basement water and elevator shafts, industrial facilities, waterfalls, basements water, ornamental pools, standing water and for the discharge of water containing maximum 6 mm particles.

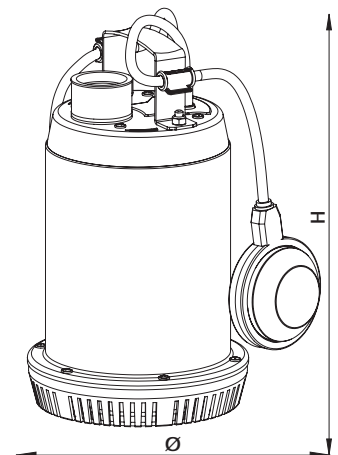
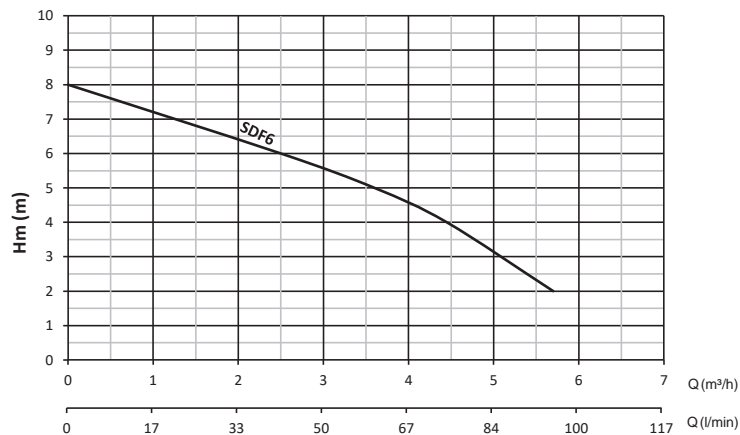
PUMP MATERIAL PROPERTIES

PUMP BODY	INOX
IMPELLER	NORYL
SHAFT	AISI 420 INOX
FLOW RATE (max.)	6 m ³ /hour
TOTAL HEAD (max.)	8 m
LIQUID TEMPERATURE	0-30°C
PROTECTION CLASS	IP 68
INSULATION	Cl.F
CABLE LENGHT	10 m
MECHANICAL SEAL	SIC / SIC
PUMP DURABILITY PRESSURE (Pmax)	2 bar

Type	Control Panel	Open Impeller	Closed Impeller	Blade	Stainless (AISI 304 INOX)	Cast Iron Impeller (GG25)	Noryl Impeller	Thermic Protection
SDF6		✓					✓	✓

TECHNICAL SPECIFICATIONS

MOTOR									PUMP											
TYPE	KW	HP	V	Hz	A	RPM	CAPACITOR uf	Vc	Hm	OUTPUT	Ø mm	H mm	▽ m	KG	m ³ /h	1	2.5	3.5	4.5	5
SDF6	0.37	0.5	220	50	2.2	2900	10	450	8	1 ^{1/4}	150	248	5	6	ms	7	6	5	4	3



SDF13



DEFINITION

These pumps with a Techno Polymer body are easily portable, easy to install and automatically operating (with floater) pumps. Designed for use in the drainage of clear or few dirty water.

It has cooling Jacket, stainless engine body, internal thermal protection and automatic reset.

These pumps are manufactured at frequencies of 50 Hz and 60 Hz.

USAGE AREAS

These pumps are used in residential areas, basement water and elevator shafts, industrial facilities, waterfalls, basements water, ornamental pools, standing water and for the discharge of water containing max. 3 mm particles.

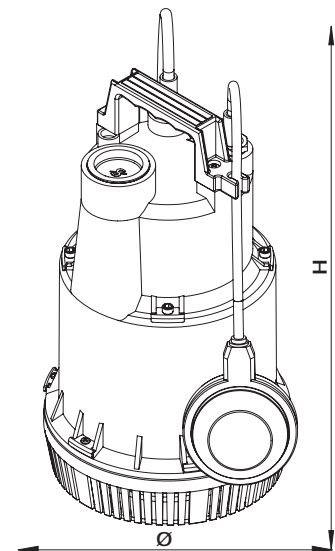
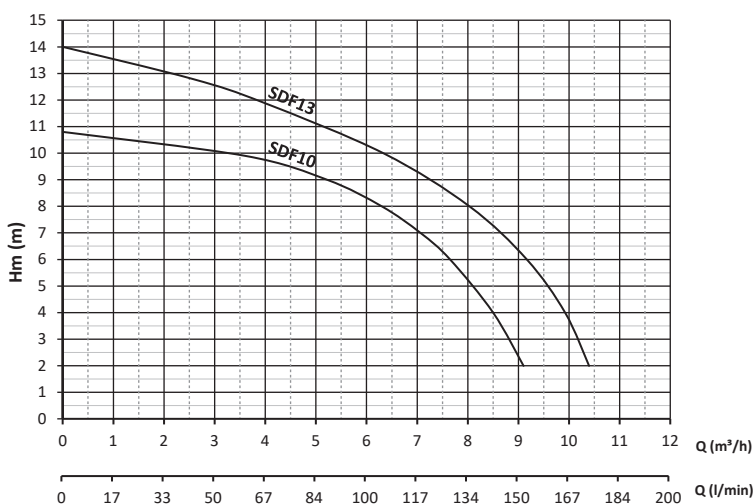
PUMP MATERIAL PROPERTIES

PUMP BODY	PPH
IMPELLER	NORYL
SHAFT	AISI 304 INOX
FLOW RATE (max.)	10.5 m ³ /hour
TOTAL HEAD (max.)	14 m
LIQUID TEMPERATURE	0-30°C
PROTECTION CLASS	IP 68
INSULATION	Cl.F
CABLE LENGHT	10 m
MECHANICAL SEAL	SIC / SIC
PUMP DURABILITY PRESSURE (Pmax)	3 bar

Type	Control Panel	Open Impeller	Closed Impeller	Blade	Stainless (AISI 304 INOX)	Cast Iron (GG25)	Noryl Impeller	Thermic Protection
SDF10		✓					✓	✓
SDF13		✓					✓	✓

TECHNICAL SPECIFICATIONS

TYPE	MOTOR							PUMP											
	KW	HP	V	Hz	A	RPM	CAPACITOR uf Vc	Hm	OUTPUT	Ø mm	H mm	▽ m	KG m ³ /h	1	3	5	7	10	
SDF10	0.65	0.85	220	50	4.3	2900	20 450	10.7	1 ^{1/4}	180	326	7	12	mss	10.5	10	9	7	-
SDF13	1	1.3	220	50	5.5	2900	25 450	14	1 ^{1/4}	180	326	7	13		13.5	12.5	11	9	4



SDF15 Y

New Product



DEFINITION

These high altitude pumps with a Techno Polymer body are easily portable, easy to install and automatically operating (with floaters). It is designed for use in the drainage of clean or few dirty water.

Having a suction filter provides an advantage against clogging risks. These pumps are manufactured at frequencies of 50 Hz and 60 Hz.

USAGE AREAS

These pumps are used in residential areas, basement water and elevator shafts, industrial facilities, waterfalls, basements water, ornamental pools, standing water and for the discharge of water containing max. 6 mm particles.

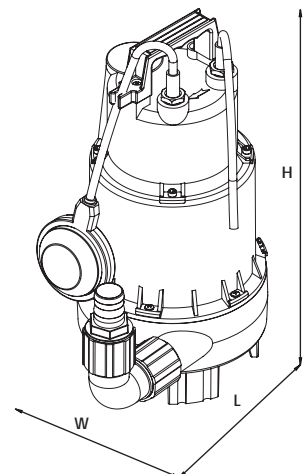
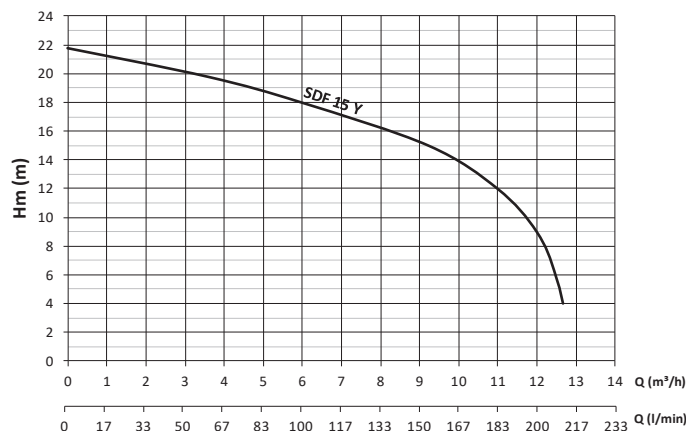
PUMP MATERIAL PROPERTIES

PUMP BODY	PPH
IMPELLER	NORYL
SHAFT	AISI 304 INOX
FLOW RATE (max.)	13 m ³ /hour
TOTAL HEAD (max.)	22 m
LIQUID TEMPERATURE	0-30°C
PROTECTION CLASS	IP 68
INSULATION	Cl.F
CABLE LENGHT	10 m
MECHANICAL SEAL	SIC / SIC
PUMP DURABILITY PRESSURE (Pmax)	4 bar

Type	Control Panel	Open Impeller	Closed Impeller	Blade	Stainless (AISI 304 INOX)	Cast Iron (GG25)	Noryl Impeller	Thermic Protection
SDF15 Y			✓				✓	

TECHNICAL SPECIFICATIONS

MOTOR											PUMP									
TYPE	KW	HP	V	Hz	A	RPM	CAPACITOR uf Vc		Hm	OUTPUT	W mm	L mm	H mm	▽ m	KGm ³ /h	1	3	7	9	12
SDF15Y	1.1	1.5	220	50	6.5	2900	30	450	22	1 ^{1/4}	185	284	380	7	14.5 miss	21	20	17	15	9



SDF18/1.5 Y



SDF18/2-Y



DEFINITION

These high altitude pumps with a stainless body are easily portable, easy to install and automatically operating (with floaters). It is designed for use in the drainage of clean or few dirty water.

Having a suction filter provides an advantage against clogging risks.

It has a long life and provides quiet operation due to its oil cooled engine design.

These pumps are manufactured at frequencies of 50 Hz and 60 Hz.

USAGE AREAS

These pumps are used in residential areas, basement water and elevator shafts, industrial facilities, waterfalls, basement water, ornamental pools, standing water and for the discharge of water containing max. 6 mm particles.

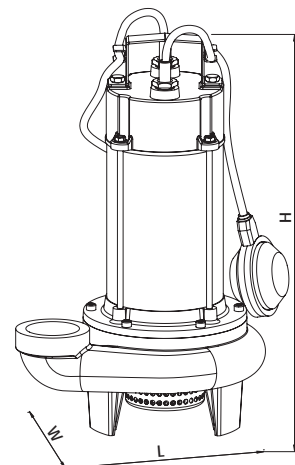
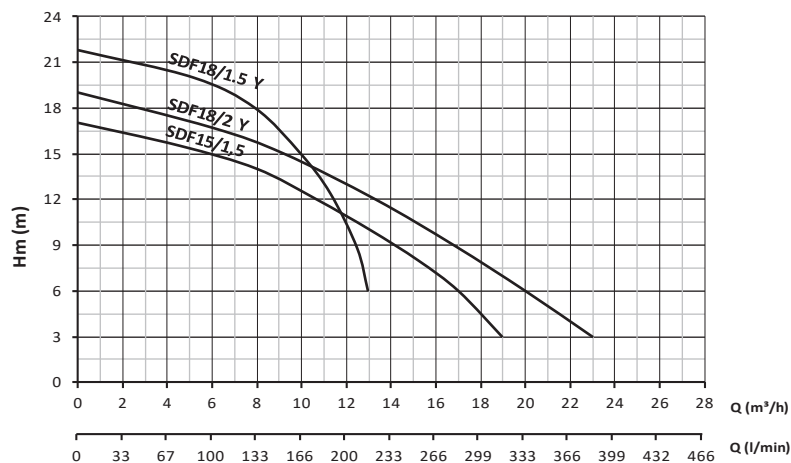
PUMP MATERIAL PROPERTIES

PUMP BODY	AISI 304 INOX
IMPELLER	AISI 304 INOX (SDF15/1.5) - GG25 CAST IRON(SDF18/2 Y) - NORYL(SDF18/1.5 Y)
SHAFT	AISI 304 INOX
FLOW RATE (max.)	23 m ³ /hour
TOTAL HEAD (max.)	22 m
LIQUID TEMPERATURE	0-30 °C
PROTECTION CLASS	IP 68
INSULATION	Cl.F
CABLE LENGHT	10 m
MECHANICAL SEAL	SIC / SIC
PUMP DURABILITY PRESSURE (Pmax)	4 bar

Type	Control Panel	Open Impeller	Closed Impeller	Blade	Stainless (AISI 304 INOX)	Cast Iron Impeller (GG25)	Noryl Impeller
SDF15/1.5	✓		✓		✓		
SDF18/1.5 Y	✓		✓				✓
SDF18/2-Y	✓	✓				✓	

TECHNICAL SPECIFICATIONS

TYPE	MOTOR							PUMP													
	KW	HP	V	Hz	A	RPM	CAPACITOR uf	Vc	Hm	OUTPUT	W mm	L mm	H mm	▽ m	KG	m ³ /h	3	8	12	16	20
SDF15/1.5	1.1	1.5	220	50	6.2	2900	25	450	17	1 ^{1/2}	185	260	350	7	21	mss	165	14	11	7.5	-
SDF18/1.5 Y	1.35	1.8	220	50	6.5	2900	25	450	22	1 ^{1/2}	185	260	350	7	20		21	18	10	-	-
SDF18/2 Y	1.35	1.8	220	50	6.5	2900	30	450	19	2"	200	280	430	7	23		18	16	13	10	6



New Product

SDT 40/2 Y



DEFINITION

These pumps have stainless steel body and cast impeller. It is designed for use in the drainage of clean or few dirty water.

It has a long life and provides quiet operation due to its oil cooled engine design.

These pumps are manufactured at frequencies of 50 Hz and 60 Hz.

USAGE AREAS

These pumps are used in residential areas, industrial facilities, waterfalls, basements, ornamental pools, standing water and sewage water containing max. 8 mm particles.

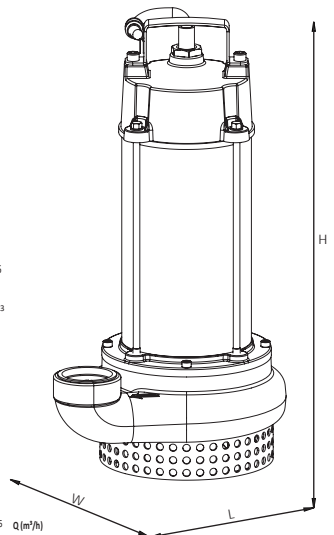
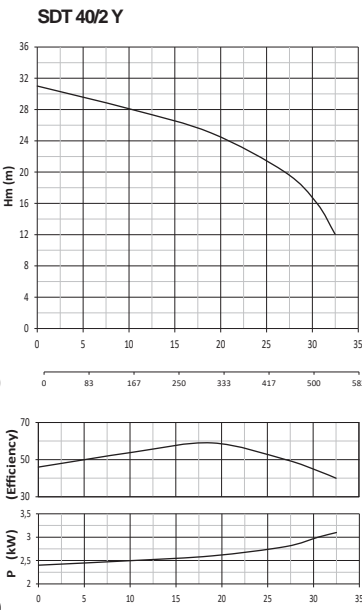
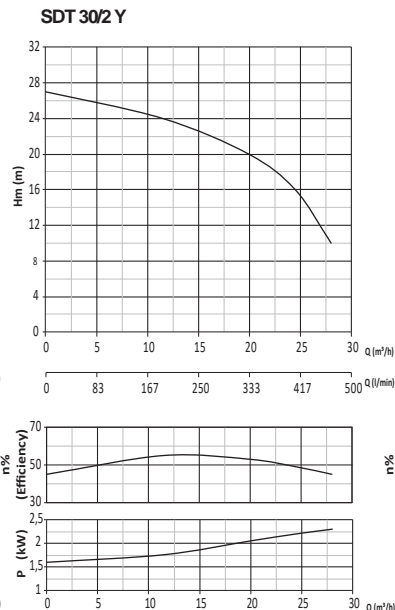
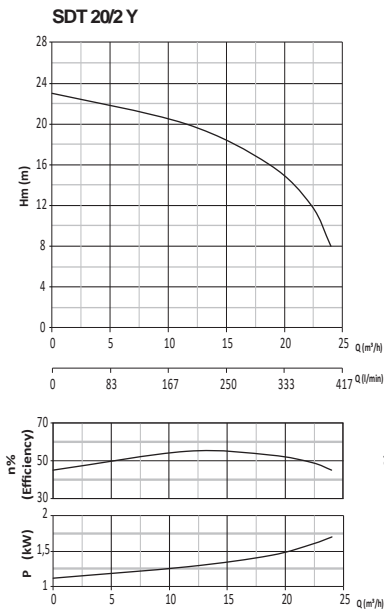
PUMP MATERIAL PROPERTIES

PUMP BODY	AISI 304 INOX
IMPELLER	GG25 CAST IRON
SHAFT	AISI 304 INOX
FLOW RATE (max.)	32.5 m ³ /hour
TOTAL HEAD (max.)	32 m
LIQUID TEMPERATURE	0-30 °C
PROTECTION CLASS	IP 68
INSULATION	Cl.F
CABLE LENGHT	10 m
MECHANICAL SEAL	SIC / SIC
PUMP DURABILITY PRESSURE (Pmax)	6 bar

Type	Control Panel	Open Impeller	Closed Impeller	Blade	Stainless (AISI 304 INOX)	Cast Iron Impeller (GG25)	Noryl Impeller
SDT 20/2 Y SDF 20/2 Y	✓		✓			✓	
SDT 30/2 Y SDF 30/2 Y	✓		✓			✓	
SDT 40/2 Y	✓		✓			✓	

TECHNICAL SPECIFICATIONS

MOTOR										PUMP												
TYPE	KW	HP	V		Hz		A		RPM	Hm	OUTPUT	W mm	L mm	H mm	▽ m	KG	m ³ /h	5	10	15	20	30
			Mono	Tri	Mono	Tri	Mono	Tri														
SDT 20/2 Y SDF 20/2 Y	1.6	2.2	220	380	50	11.5	4.2	2900	23	2"	220	290	485	7	32.5	m ³ /h	22	20.5	18	15	-	
SDT 30/2 Y SDF 30/2 Y	2.2	3	220	380	50	14	5	2900	27	2"	220	290	485/515	7	35.5		26	24.5	22.5	20	-	
SDT 40/2 Y	3	4	220	380	50	-	6.7	2900	31	2"	220	290	515	7	39	30	28	26.5	24	17		



New Product

SDT 40/2 INOX



DEFINITION

These pumps have stainless steel body and stainless steel impeller. It is designed for use in the drainage of clean or few dirty water. It has a long life and provides quiet operation due to its oil cooled engine design.

These pumps are manufactured at frequencies of 50 Hz and 60 Hz.

USAGE AREAS

These pumps are used in residential areas, industrial facilities, waterfalls, basements, ornamental pools, standing water and sewage water containing max. 6 mm particles.

PUMP MATERIAL PROPERTIES

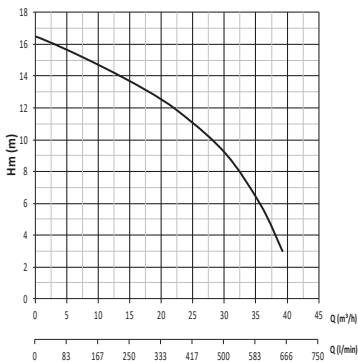
PUMP BODY	AISI 304 INOX
IMPELLER	AISI 304 INOX
SHAFT	AISI 304 INOX
FLOW RATE (max.)	49 m ³ /hour
TOTAL HEAD (max.)	25 m
LIQUID TEMPERATURE	0-30 °C
PROTECTION CLASS	IP 68
INSULATION	Cl.F
CABLE LENGHT	10 m
MECHANICAL SEAL	SIC / SIC
PUMP DURABILITY PRESSURE (Pmax)	6 bar

Type	Control Panel	Open Impeller	Closed Impeller	Blade	Stainless (AISI 304 INOX)	Cast Iron Impeller (GG25)	Noryl Impeller
SDT 20/2 INOX SDF 20/2 INOX	✓		✓		✓		
SDT 30/2 INOX SDF 30/2 INOX	✓		✓		✓		
SDT 40/2 INOX	✓		✓		✓		

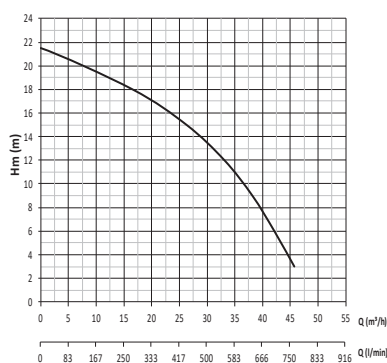
TECHNICAL SPECIFICATIONS

MOTOR										PUMP											
TYPE	KW	HP	V		Hz		A		RPM	Hm	OUTPUT	W	L	H	▽	KG	m ³ /h	nms			
			Mono	Tri	Mono	Tri	Mono	Tri										5	10	20	30
SDT 20/2 INOX SDF 20/2 INOX	1.6	2.2	220	380	50	11.5	4	2900	16.5	2"	195	225	530	7	29		15.5	14.5	12.5	9	3
SDT 30/2 INOX SDF 30/2 INOX	2.2	3	220	380	50	15	5	2900	21.5	2"	195	225	530/560	7	30.5		20.5	19.5	17	13.5	7
SDT 40/2 INOX	3	4	220	380	50	-	6.8	2900	25	2"	195	225	560	7	33.5		23.5	22.5	20	16.5	11

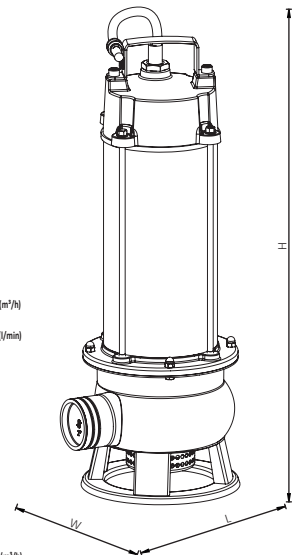
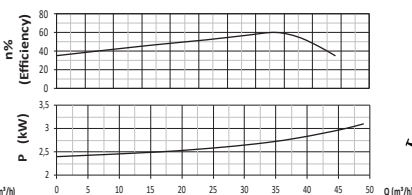
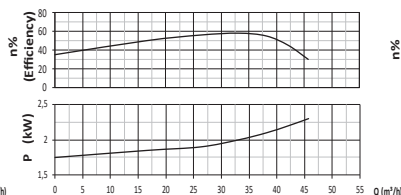
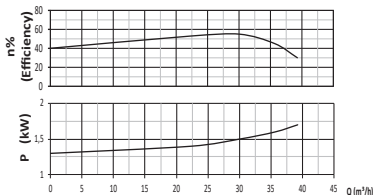
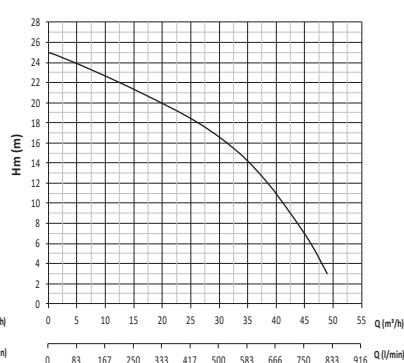
SDT 20/2 INOX



SDT 30/2 INOX



SDT 40/2 INOX



SDTY100/2



DEFINITION

These high altitude pumps with cast iron body are automatic operation (with floaters) pumps.

It is designed for use in the drainage of clean or few dirty water.

It has a long life and provides quiet operation due to its oil cooled engine design.

These pumps are manufactured at frequencies of 50 Hz and 60 Hz.

USAGE AREAS

These pumps are used in residential areas, industrial facilities, tunnels, mines and quarries, construction foundation pits that require vertical discharge, and for the discharge of water containing max. 3 mm particles.

PUMP MATERIAL PROPERTIES

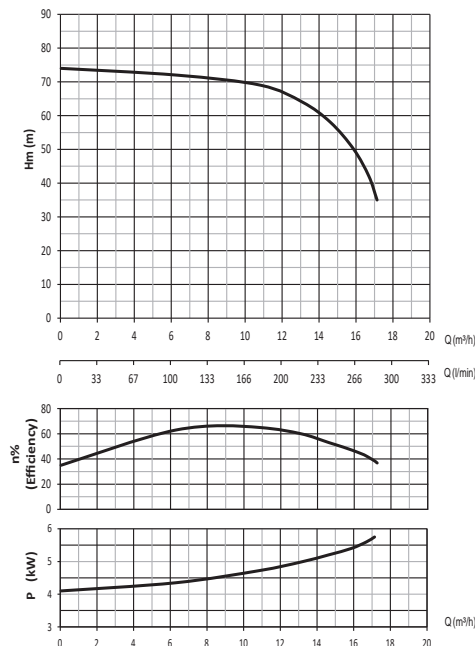
PUMP BODY	GG 25 CAST IRON
IMPELLER	GG 25 CAST IRON
SHAFT	AISI 304 INOX
FLOW RATE (max.)	18 m ³ /hour
TOTAL HEAD (max.)	81 m
LIQUID TEMPERATURE	0-30 °C
PROTECTION CLASS	IP 68
INSULATION	Cl.F
CABLE LENGHT	10 m
MECHANICAL SEAL	SIC / SIC
PUMP DURABILITY PRESSURE (Pmax)	12 bar

Type	Control Panel	Open Impeller	Closed Impeller	Blade	Stainless (AISI 304 INOX)	Cast Iron Impeller (GG25)	Noryl Impeller
SDTY75/2	✓		✓			✓	
SDTY100/2	✓		✓			✓	

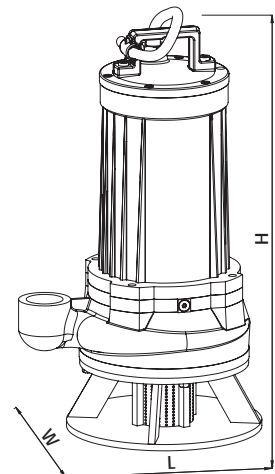
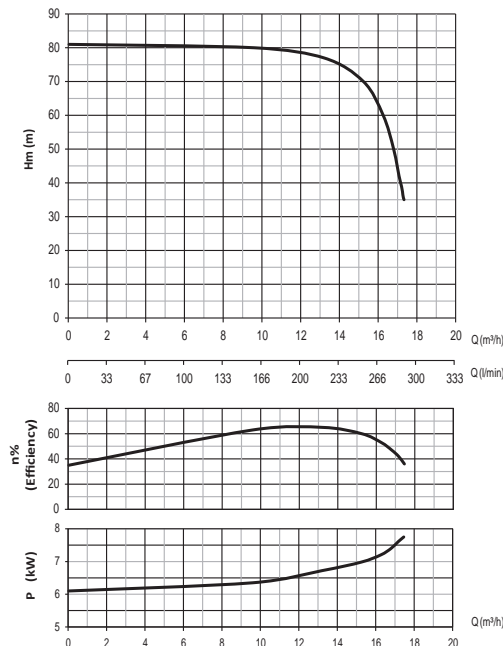
TECHNICAL SPECIFICATIONS

TYPE	MOTOR							PUMP											
	KW	HP	V	Hz	A	RPM	Hm	OUTPUT	W mm	L mm	H mm	▽ m	KG	m ³ /h	7	12	16	17	18
SDTY75/2	5.5	7.5	380	50	12.5	2900	74	2"	185	400	650	7	87.5	ms	72	67	50	35	-
SDTY100/2	7.5	10	380	50	14	2900	81	2"	200	400	650	7	91		80	77	65	40	-

SDTY 75/2



SDTY 100/2



SDTV40/2 Z Y



DEFINITION

These pumps have cast iron body, cooling jacket and vortex impeller. It is designed for use in the drainage of few dirty water.

It is suitable for long term operation due to the cooling jacket.

The pump body can cool itself without being completely in water.

Having a suction filter provides an advantage against clogging risks.

It has a long life and provides quiet operation due to its oil cooled engine design.

These pumps are manufactured at frequencies of 50 Hz and 60 Hz.

USAGE AREAS

These pumps are used in residential areas, industrial facilities, tunnels, mines and quarries, construction foundation pits that require vertical discharge, and for the discharge of water containing max. 8 mm particles.

PUMP MATERIAL PROPERTIES

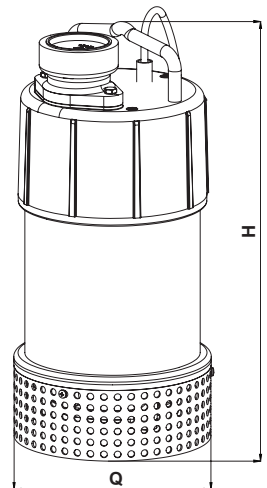
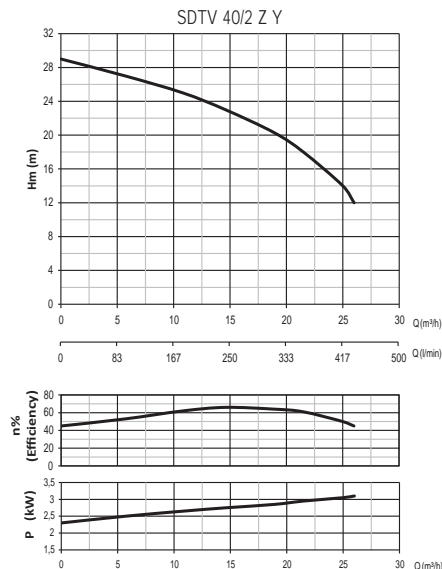
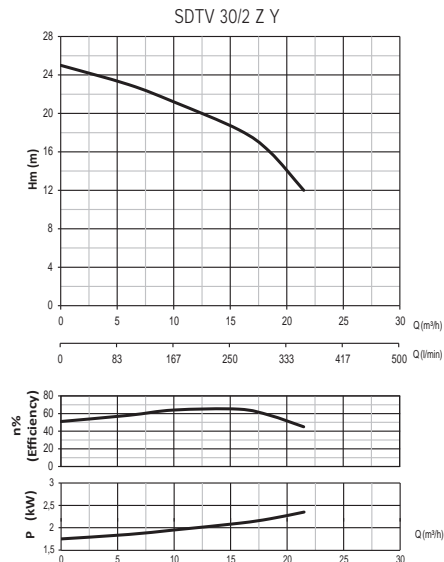
PUMP BODY	GG25 CAST IRON
IMPELLER	GG25 CAST IRON
COOLING JACKET	AISI 304 INOX
SUCTION FILTER	AISI 304 INOX
SHAFT	AISI 304 INOX
FLOW RATE (max.)	26 m ³ /hour
TOTAL HEAD (max.)	29 m
LIQUID PUMPING TEMPERATURE	0-30°C
PROTECTION CLASS	IP 68
INSULATION	Cl.F
CABLE LENGTH	10 m
SEAL	SIC / SIC
PUMP DURABILITY PRESSURE (Pmax)	6 bar

Type	Control Panel	Open Impeller	Closed Impeller	Blade	Stainless (AISI 304 INOX)	Cast Iron Impeller (GG25)	Noryl Impeller
SDTV30/2 ZY	✓	✓				✓	
SDTV40/2 ZY	✓	✓				✓	

TECHNICAL SPECIFICATIONS

TYPE	MOTOR							PUMP											
	KW	HP	V	Hz	A	RPM	Hm	OUTPUT	Q mm	H mm	▽ m	KG	m ³ /h	5	15	20	25	40	55
* SDTV30/2 Z Y	2.2	3	380	50	5	2900	25	2"	230	495	7	47.5	mss	23	18	14	-	-	-
* SDTV40/2 Z Y	3	4	380	50	6.4	2900	29	2"	230	495	7	50.5		27	23	19	14	-	-

*Optionally, the impeller and input flange can be manufactured as AISI 430.



SDTV40/2.5 Z



DEFINITION

These pumps have cast body, cooling jacket and vortex impeller. It is designed for use in the drainage of few dirty water. It is suitable for long term operation due to the cooling jacket. The pump body can cool itself without being completely in water. Having a suction filter provides an advantage against clogging risks. It has a long life and provides quiet operation due to its oil cooled engine design. These pumps are manufactured at frequencies of 50 Hz and 60 Hz.

USAGE AREAS

These pumps are used in residential areas, industrial facilities, tunnels, mines and quarries, construction foundation pits that require vertical discharge, and for the discharge of water containing max. 8 mm particles.

PUMP MATERIAL PROPERTIES

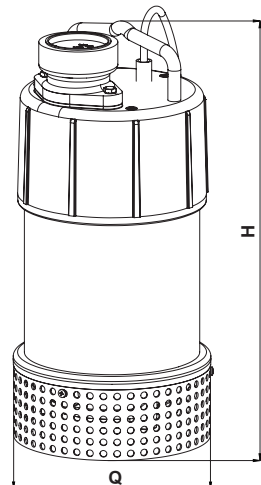
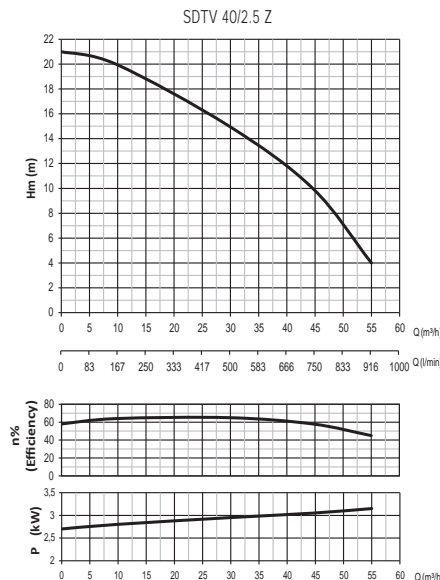
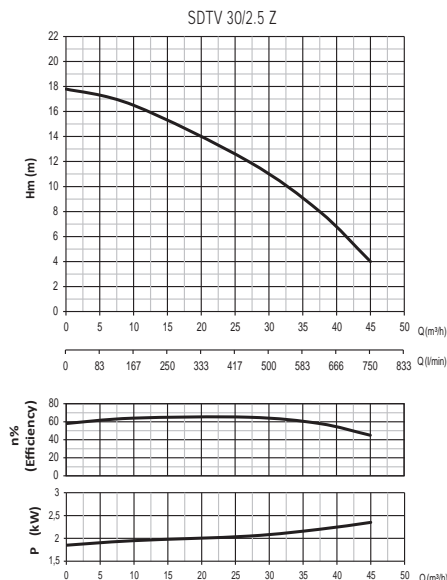
PUMP BODY	GG25 CAST IRON
IMPELLER	GG25 CAST IRON
COOLING JACKET	AISI 304 INOX
SUCTION FILTER	AISI 304 INOX
SHAFT	AISI 304 INOX
FLOW RATE (max.)	55 m ³ /hour
TOTAL HEAD (max.)	21 m
LIQUID PUMPING TEMPERATURE	0-30°C
PROTECTION CLASS	IP 68
INSULATION	C.I.F
CABLE LENGTH	10 m
SEAL	SIC / SIC
PUMP DURABILITY PRESSURE (Pmax)	6 bar

Type	Control Panel	Open Impeller	Closed Impeller	Blade	Stainless (AISI 304 INOX)	Cast Iron Impeller (GG25)	Noryl Impeller
SDTV30/2.5 Z	✓	✓				✓	
SDTV40/2.5 Z	✓	✓				✓	

TECHNICAL SPECIFICATIONS

MOTOR								PUMP											
TYPE	KW	HP	V	Hz	A	RPM	Hm	OUTPUT	Q mm	H mm	∇ m	KG/m ³ /h	5	15	20	30	40	55	
* SDTV30/2.5 Z	2.2	3	380	50	5	2900	18	2 1/2	230	495	7	47	ms	17	15	14	11	7	-
* SDTV40/2.5 Z	3	4	380	50	6.4	2900	21	2 1/2	230	495	7	49.5		20	19	18	15	12	4

*Optionally, the impeller and input flange can be manufactured as AISI 430.



SDT100/3Z



DEFINITION

These pumps have cast body, cooling jacket and vortex impeller. It is designed for use in the drainage of few dirty water.

It is suitable for long term operation due to the cooling jacket.

The pump body can cool itself without being completely in water.

Having a suction filter provides an advantage against clogging risks.

These pumps are manufactured at frequencies of 50 Hz and 60 Hz.

USAGE AREAS

These pumps are used in residential areas, industrial facilities, tunnels, mines and quarries, construction foundation pits that require vertical discharge, and for the discharge of water containing max. 12 mm particles.

PUMP MATERIAL PROPERTIES

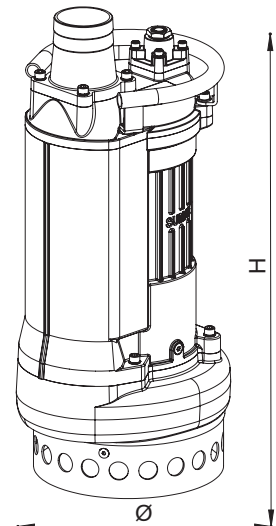
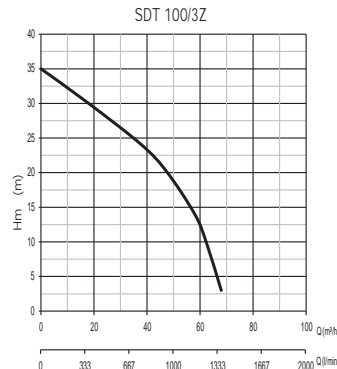
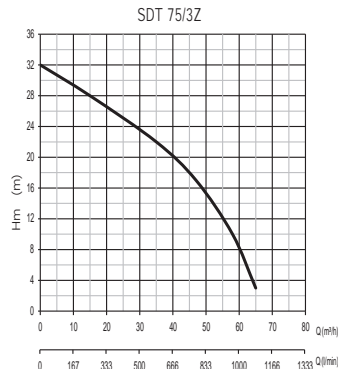
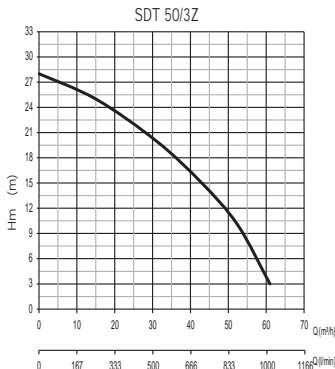
PUMP BODY	GG25 CAST IRON
IMPELLER	GG25 CAST IRON
SHAFT	AISI 304 INOX
FLOW RATE (max.)	70 m ³ /hour
TOTAL HEAD (max.)	35 m
LIQUID TEMPERATURE	0-30 °C
PROTECTION CLASS	IP 68
INSULATION	Cl.F
CABLE LENGHT	10 m
MECHANICAL SEAL	SIC / SIC
PUMP DURABILITY PRESSURE (Pmax)	10 bar

Type	Control Panel	Open Impeller	Closed Impeller	Blade	Stainless (AISI 304 INOX)	Cast Iron Impeller (GG25)	Noryl Impeller
SDT50/3Z	✓	✓				✓	
SDT75/3Z	✓	✓				✓	
SDT100/3Z	✓	✓				✓	

TECHNICAL SPECIFICATIONS

MOTOR								PUMP										
TYPE	KW	HP	V	Hz	A	RPM	Hm	OUTPUT	Q mm	H mm	▽ m	KG	m ³ /h	15	30	40	50	60
* SDT50/3Z	4	5.5	380	50	10	2900	28	3"	360	780	7	113	mss	25	20	16	11	4
* SDT75/3Z	5.5	7.5	380	50	12	2900	32	3"	360	780	7	117.5		28	23	20	15	8
* SDT100/3Z	7.5	10	380	50	14	2900	35	3"	360	780	7	122		32	27	23	18	12

* Optionally, it can be manufactured with 4" outlet joint.



SDTV40/2



DEFINITION

These pumps have cast body and vortex impeller. It is designed for use in the drainage of dirty water.

Having a suction filter provides an advantage against clogging risks.

These pumps are manufactured at frequencies of 50 Hz and 60 Hz.

USAGE AREAS

These pumps are used in residential areas, industrial facilities, tunnels, mines and quarries, construction foundation pits that require vertical discharge, and for the discharge of water containing max. 8 mm particles.

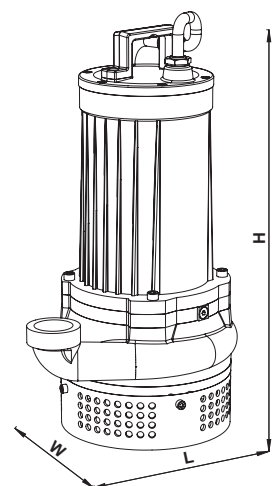
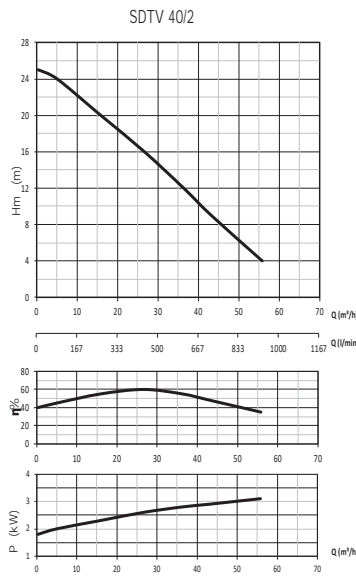
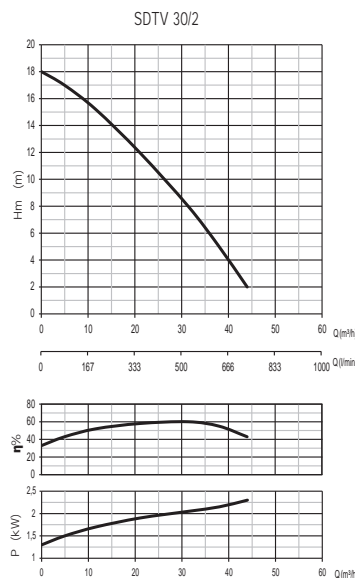
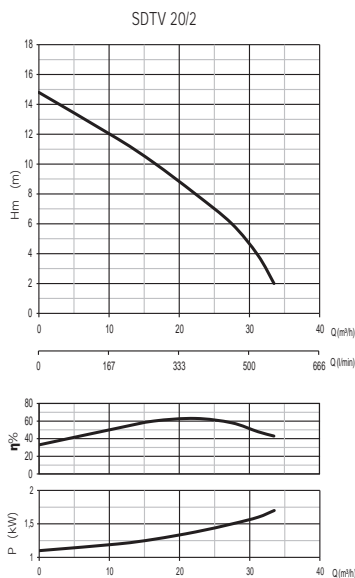
PUMP MATERIAL PROPERTIES

PUMP BODY	GG25 CAST IRON
IMPELLER	GG25 CAST IRON
SHAFT	AISI 304 INOX
FLOW RATE (max.)	50 m ³ /hour
TOTAL HEAD (max.)	25 m
LIQUID TEMPERATURE	0-30 °C
PROTECTION CLASS	IP 68
INSULATION	Cl.F
CABLE LENGHT	10 m
MECHANICAL SEAL	SIC / SIC
PUMP DURABILITY PRESSURE (Pmax)	10 bar

Type	Control Panel	Open Impeller	Closed Impeller	Blade	Stainless (AISI 304 INOX)	Cast Iron Impeller (GG25)	Noryl Impeller
SDTV20/2	✓	✓				✓	
SDTV30/2	✓	✓				✓	
SDTV40/2	✓	✓				✓	

TECHNICAL SPECIFICATIONS

MOTOR								PUMP											
TYPE	KW	HP	V	Hz	A	RPM	Hm	OUTPUT	W mm	L mm	H mm	▽ m	KGm ³ /h	15	25	35	50	60	
SDTV20/2	1.6	2.2	380	50	3.4	2900	14.8	2"	260	330	410	7	45	mss	10	7	-	-	-
SDTV30/2	2.2	3	380	50	4.4	2900	18	2"	260	330	410	7	47		14	10	6	-	-
SDTV40/2	3	4	380	50	6.7	2900	25	2"	260	330	410	7	47.5		20	16	12	6	-



SDTV75/2



DEFINITION

These pumps have cast iron body and vortex impeller. It is designed for use in the drainage of dirty water.

Having a suction filter provides an advantage against clogging risks.

These pumps are manufactured at frequencies of 50 Hz and 60 Hz.

USAGE AREAS

These pumps are used in residential areas, industrial facilities, tunnels, mines and quarries, construction foundation pits that require vertical discharge, and for the discharge of water containing max. 10 mm particles.

PUMP MATERIAL PROPERTIES

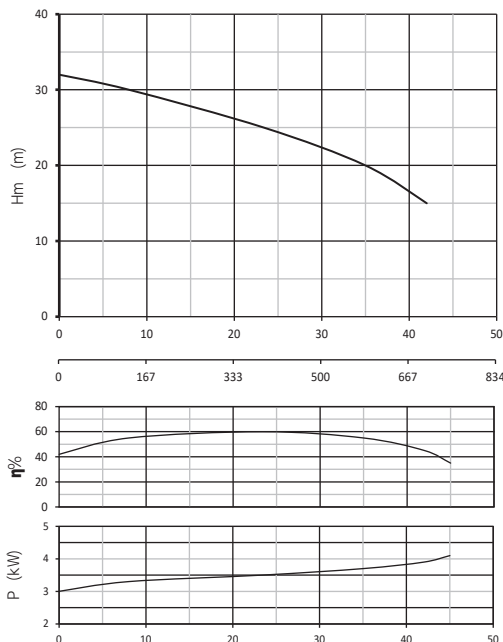
PUMP BODY	GG25 CAST IRON
IMPELLER	GG25 CAST IRON
SHAFT	AISI 304 INOX
FLOW RATE (max.)	54 m ³ /hour
TOTAL HEAD (max.)	41 m
LIQUID TEMPERATURE	0-30 °C
PROTECTION CLASS	IP 68
INSULATION	Cl.F
CABLE LENGHT	10 m
MECHANICAL SEAL	SIC / SIC
PUMP DURABILITY PRESSURE (Pmax)	10 bar

Type	Control Panel	Open Impeller	Closed Impeller	Blade	Stainless (AISI 304 INOX)	Cast Iron Impeller (GG25)	Noryl Impeller
SDTV50/2	✓	✓				✓	
SDTV75/2	✓	✓				✓	

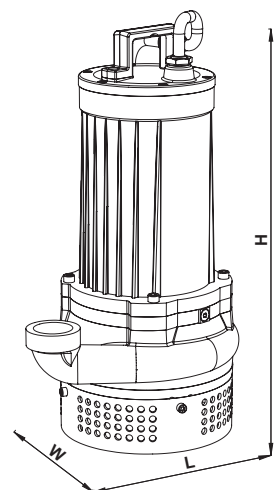
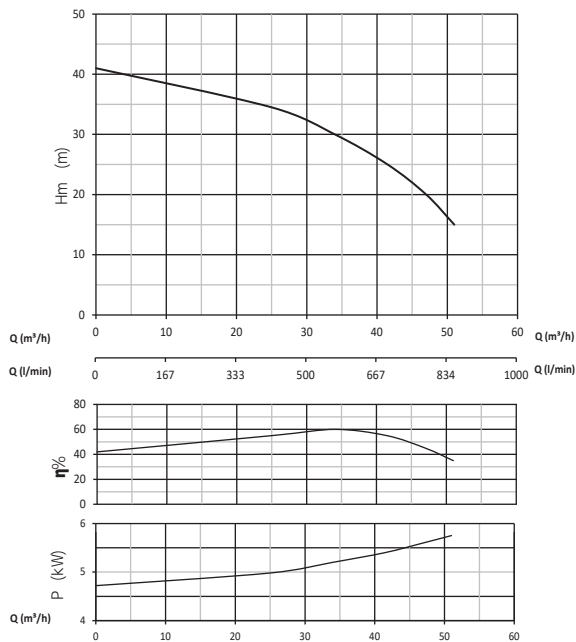
TECHNICAL SPECIFICATIONS

TYPE	MOTOR							PUMP											
	KW	HP	V	Hz	A	RPM	Hm	OUTPUT	W mm	L mm	H mm	▽ m	KG m ³ /h	15	25	35	50	60	
SDTV50/2	4	5.5	380	50	9.5	2900	32	2"	290	380	610	7	76.5	mss	27	24	20	-	-
SDTV75/2	5.5	7.5	380	50	12	2900	42	2"	290	380	610	7	81.5		37	35	30	16	-

SDTV 50/2



SDTV 75/2



SDTV75/3



DEFINITION

These pumps have cast iron body and vortex impeller. It is designed for use in the drainage of dirty water.

Having a suction filter provides an advantage against clogging risks.

These pumps are manufactured at frequencies of 50 Hz and 60 Hz.

USAGE AREAS

These pumps are used in residential areas, industrial facilities, tunnels, mines and quarries, construction foundation pits that require vertical discharge, and for the discharge of water containing max. 10 mm particles.

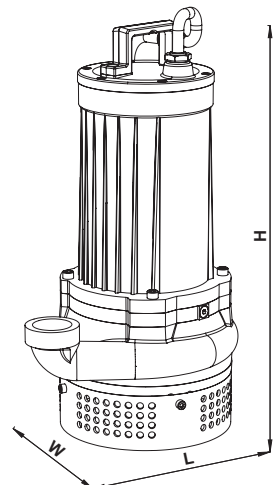
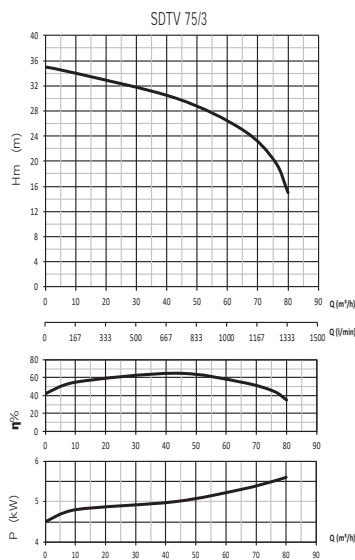
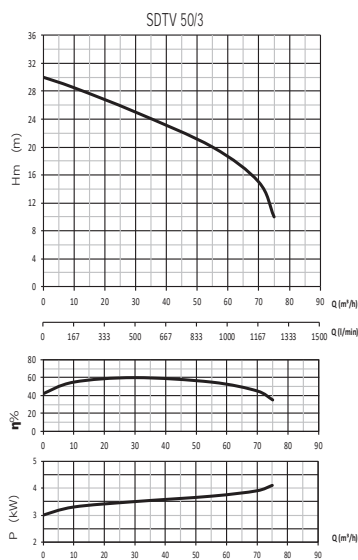
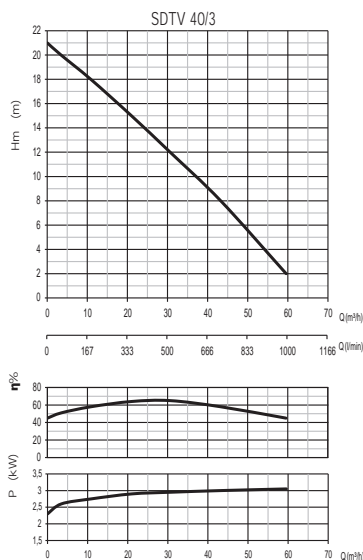
PUMP MATERIAL PROPERTIES

PUMP BODY	GG25 CAST IRON
IMPELLER	GG25 CAST IRON
SHAFT	AISI 304 INOX
FLOW RATE (max.)	80 m ³ /hour
TOTAL HEAD (max.)	35 m
LIQUID TEMPERATURE	0-30 °C
PROTECTION CLASS	IP 68
INSULATION	Cl.F
CABLE LENGHT	10 m
MECHANICAL SEAL	SIC / SIC
PUMP DURABILITY PRESSURE (Pmax)	10 bar

Type	Control Panel	Open Impeller	Closed Impeller	Blade	Stainless (AISI 304 INOX)	Cast Iron Impeller (GG25)	Noryl Impeller
SDTV40/3	✓	✓				✓	
SDTV50/3	✓	✓				✓	
SDTV75/3	✓	✓				✓	

TECHNICAL SPECIFICATIONS

TYPE	MOTOR							PUMP											
	KW	HP	V	Hz	A	RPM	Hm	OUTPUT	W mm	L mm	H mm	▽ m	KG	m ³ /h	10	20	40	60	80
SDTV40/3	3	4	380	50	6.7	2900	21	3"	260	330	410	7	48.5	mss	18	15	9	2	-
SDTV50/3	4	5.5	380	50	9.5	2900	30	3"	305	410	610	7	82		28	27	23	18	-
SDTV75/3	5.5	7.5	380	50	12	2900	35	3"	305	410	610	7	87		34	33	30	26	15





SDF18



DEFINITION

These pumps with techno polymer body and stainless steel vortex impeller are easy to portable and automatic operation (with floater) pumps. It is designed for use in pumping septic water containing fibrous solid particles. These are pumps with a cast motor body, internal thermal protection and automatic reset.

These pumps are manufactured at frequencies of 50 Hz and 60 Hz.

USAGE AREAS

These pumps are used in residential areas, industrial facilities, to discharge rain and sewage water, waterfalls, basements, ornamental pools, standing water and water containing max. 20 mm particles.

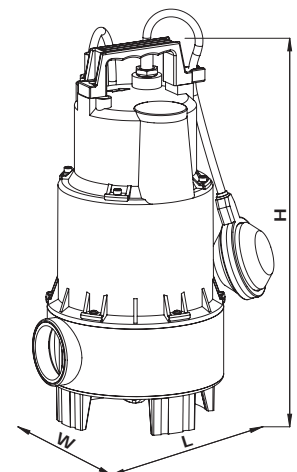
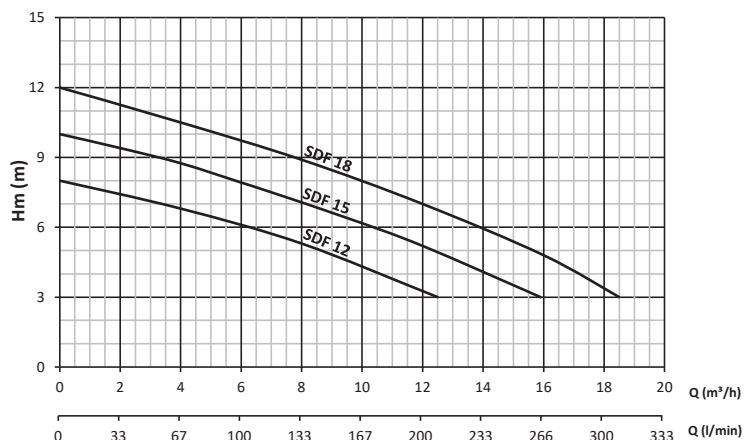
PUMP MATERIAL PROPERTIES

PUMP BODY	PPH
IMPELLER	AISI 304 INOX
SHAFT	AISI 304 INOX
FLOW RATE (max.)	18 m ³ /hour
TOTAL HEAD (max.)	12 m
LIQUID TEMPERATURE	0-30°C
PROTECTION CLASS	IP 68
INSULATION	Cl.F
CABLE LENGHT	10 m
MECHANICAL SEAL	SIC / SIC
PUMP DURABILITY PRESSURE (Pmax)	2 bar

Type	Control Panel	Open Impeller	Closed Impeller	Blade	Stainless (AISI 304 INOX)	Cast Iron Impeller (GG25)	Noryl Impeller	Thermic Protection
SDF12		✓			✓			✓
SDF15		✓			✓			✓
SDF18		✓			✓			✓

TECHNICAL SPECIFICATIONS

TYPE	MOTOR							PUMP												
	KW	HP	V	Hz	A	RPM	CAPACITOR uf Vc	Hm	INPUT OUTPUT	W mm	L mm	H mm	▽ m	KG	m ³ /h	3	6	9	11	16
SDF12	0.75	1	220	50	4.5	2900	25 450	7	2"	185	195	400	7	14	mss	7	6	5	4	-
SDF15	1.1	1.5	220	50	5.2	2900	25 450	10	2"	185	195	400	7	14		9	8	7	6	3
SDF18	1.35	1.8	220	50	6	2900	30 450	12	2"	185	195	400	7	14.5		11	10	8	7	5



SDF15/2



DEFINITION

These pumps with completely stainless steel body and stainless steel vortex impeller are easy to portable and automatic operation (with floater) pumps. It is designed to be used in the pumping of few abrasive corrosive liquids and in the pumping of septic water containing fibrous solid particles. It provides long life and quiet operation due to its oil cooled engine design. These pumps are manufactured at frequencies of 50 Hz and 60 Hz.

USAGE AREAS

These pumps are used in residential areas and industrial facilities to discharge rain and sewage water, waterfalls, basements, ornamental pools, standing water and water containing max. 20 mm particles.

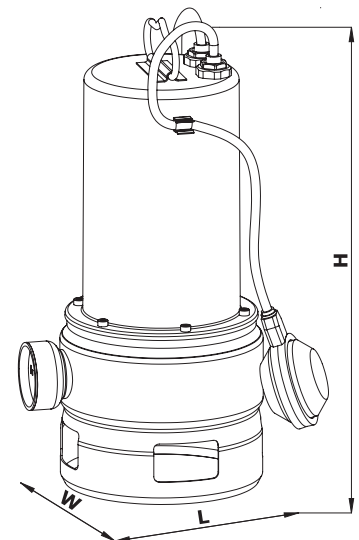
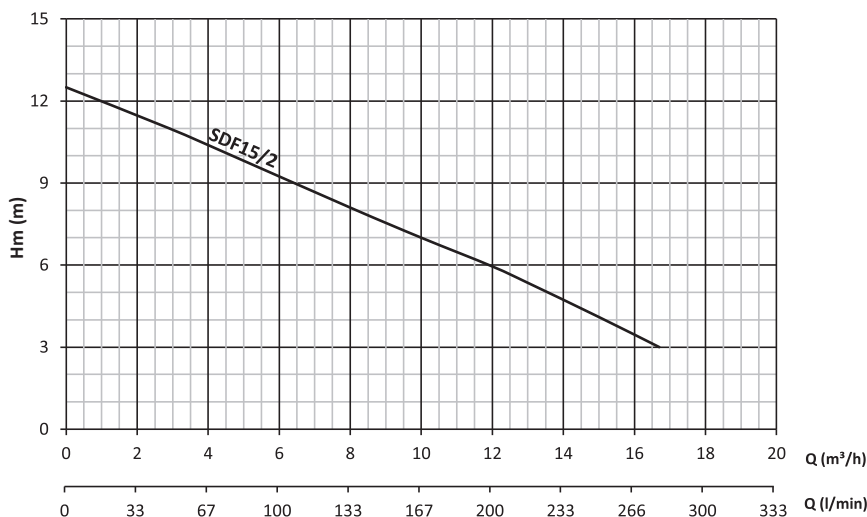
PUMP MATERIAL PROPERTIES

PUMP BODY	AISI 304 INOX
IMPELLER	AISI 304 INOX
SHAFT	AISI 304 INOX
FLOW RATE (max.)	17 m ³ /hour
TOTAL HEAD (max.)	12.5 m
LIQUID TEMPERATURE	0-30°C
PROTECTION CLASS	IP 68
INSULATION	Cl.F
CABLE LENGHT	10 m
MECHANICAL SEAL	SIC / SIC
PUMP DURABILITY PRESSURE (Pmax)	4 bar

Type	Control Panel	Open Impeller	Closed Impeller	Blade	Stainless (AISI 304 INOX)	Cast Iron Impeller (GG25)	Noryl Impeller
SDF15/2	✓	✓			✓		

TECHNICAL SPECIFICATIONS

MOTOR								PUMP												
TYPE	KW/HP	V	Hz	A	RPM	CAPACITOR		Hm	OUTPUT	W	L	H	▽	KGm ³ /h	3	6	9	11	16	
						uf	Vc			mm	mm	mm	m	mss						
SDF15/2	1.1/1.5	220	50	6.5	2900	25	450	12.5	2"	185	215	395	7	16	11	9	8	7	3.5	



SDF18/2



DEFINITION

These pumps with stainless steel body and cast iron vortex impeller are easy to portable and automatic operation (with floater) pumps. It is designed to be used in the pumping of septic water containing fibrous solid particles. It provides long life and quiet operation due to its oil cooled engine design. These pumps are manufactured at frequencies of 50 Hz and 60 Hz.

USAGE AREAS

These pumps are used in residential areas and industrial facilities to discharge rain and sewage water, waterfalls, basements, ornamental pools, standing water and water containing max. 20 mm particles.

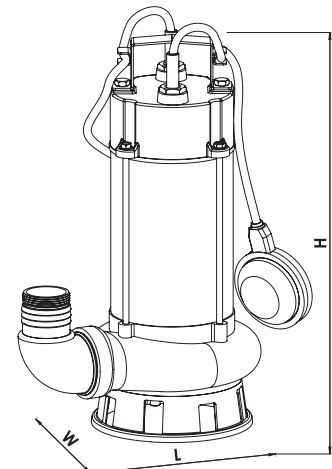
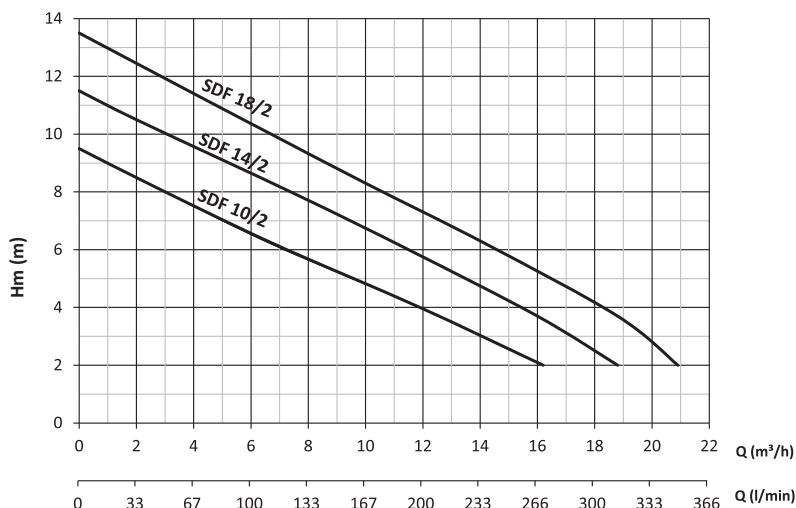
PUMP MATERIAL PROPERTIES

PUMP BODY	AISI 304 INOX
IMPELLER	GG25 CAST IRON
SHAFT	AISI 304 INOX
FLOW RATE (max.)	21 m ³ /hour
TOTAL HEAD (max.)	12.5 m
LIQUID TEMPERATURE	0-30°C
PROTECTION CLASS	IP 68
INSULATION	Cl.F
CABLE LENGHT	10 m
MECHANICAL SEAL	SIC / SIC
PUMP DURABILITY PRESSURE (Pmax)	6 bar

Type	Control Panel	Open Impeller	Closed Impeller	Blade	Stainless (AISI 304 INOX)	Cast Iron Impeller (GG25)	Noryl Impeller
SDF10/2	✓	✓				✓	
SDF14/2	✓	✓				✓	
SDF18/2	✓	✓				✓	

TECHNICAL SPECIFICATIONS

TYPE	MOTOR								PUMP												
	KW	HP	V	Hz	A	RPM	CAPACITOR uf	Vc	Hm	OUTPUT	W	L	H	▽	KG	m ³ /h	2	6	10	16	20
SDF10/2	0.75	1	220	50	4.5	2900	25	450	9.5	2"	175	205	410	7	18.5	mss	8.5	6.5	5	2	-
SDF14/2	1.1	1.5	220	50	5.5	2900	25	450	11.5	2"	175	205	410	7	19.5		10.5	8.5	7	4	-
SDF18/2	1.35	1.8	220	50	6	2900	30	450	13.5	2"	175	205	410	7	20		12.5	10.5	8	5	3
SDT18/2	1.35	1.8	380	50	3	2900	-	-	13.5	2"	175	205	410	7	22		12.5	10.5	8	5	3



New Product

SDTV 30/2 INOX



DEFINITION

These pumps have stainless steel body and stainless steel vortex impeller. It is designed to be used in the pumping of septic water containing fibrous solid particles.

It provides long life and quiet operation due to its oil cooled engine design. These pumps are manufactured at frequencies of 50 Hz and 60 Hz.

USAGE AREAS

These pumps are used in residential areas and industrial facilities to discharge rain and sewage water, waterfalls, basements, ornamental pools, standing water and water containing max. 40 mm particles.

PUMP MATERIAL PROPERTIES

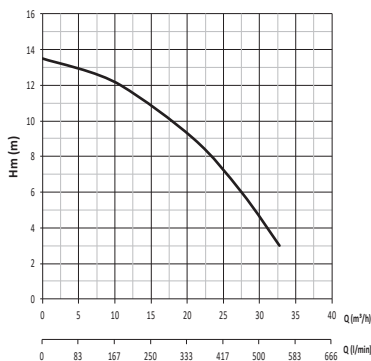
PUMP BODY	AISI 304 INOX
IMPELLER	AISI 304 INOX
SHAFT	AISI 304 INOX
FLOW RATE (max.)	46 m ³ /hour
TOTAL HEAD (max.)	20.5 m
LIQUID TEMPERATURE	0-30 °C
PROTECTION CLASS	IP 68
INSULATION	Cl.F
CABLE LENGHT	10 m
MECHANICAL SEAL	SIC / SIC
PUMP DURABILITY PRESSURE (Pmax)	6 bar

Type	Control Panel	Open Impeller	Closed Impeller	Blade	Stainless (AISI 304 INOX)	Cast Iron Impeller (GG25)	Noryl Impeller
SDTV 20/2 INOX SDFV 20/2 INOX	✓	✓			✓		
SDTV 30/2 INOX SDFV 30/2 INOX	✓	✓			✓		
SDTV 40/2 INOX	✓	✓			✓		

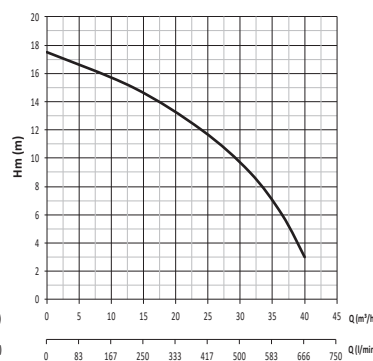
TECHNICAL SPECIFICATIONS

TYPE	MOTOR							PUMP												
	KW	HP	V	Hz	A	RPM	Hm	OUTPUT	W	L	H	▽	KG	m ³ /h	5	10	20	30	40	
SDTV 20/2 INOX SDFV 20/2 INOX	1.6	2.2	220	50	10.5	4	2900	13.5	2"	195	225	530	7	28.5	miss	13	12	9.5	4.5	-
SDTV 30/2 INOX SDFV 30/2 INOX	2.2	3	220	50	13.5	5	2900	17.5	2"	195	225	530/560	7	30		16.5	15.5	13	9.5	3
SDTV 40/2 INOX	3	4	220	50	-	6.8	2900	20.5	2"	195	225	560	7	33	19.5	18.5	16	13	8	

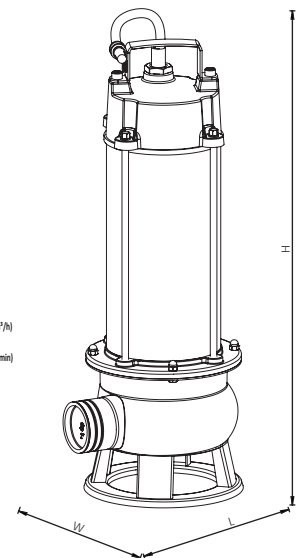
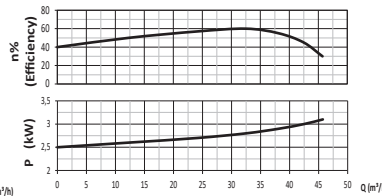
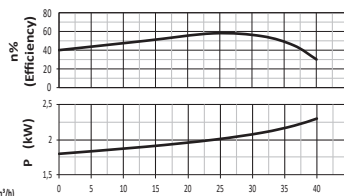
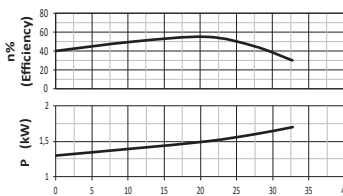
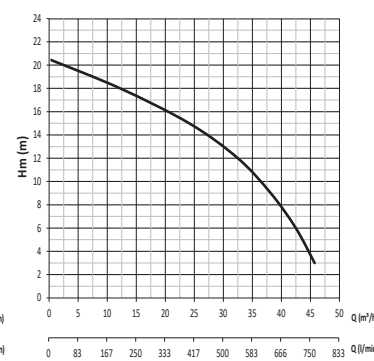
SDTV 20/2 INOX



SDTV 30/2 INOX



SDTV 40/2 INOX



SDTV40/2.5



DEFINITION

These pumps have cast iron body, cast iron vortex impeller and stainless steel support. It is designed to be used in the pumping of septic water containing fibrous solid particles.

These pumps are manufactured at frequencies of 50 Hz and 60 Hz.

USAGE AREAS

These pumps are used in residential areas, industrial facilities, high flow excavation pits, sewage water, small waterfalls for ornamental purposes and for the discharge of water containing maximum 50 mm particles.

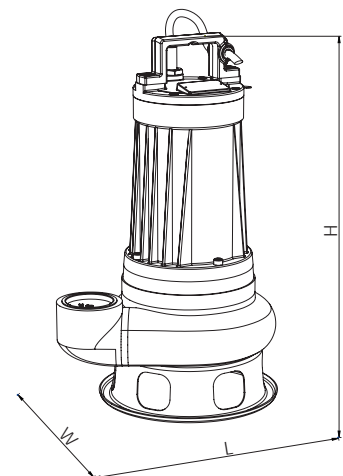
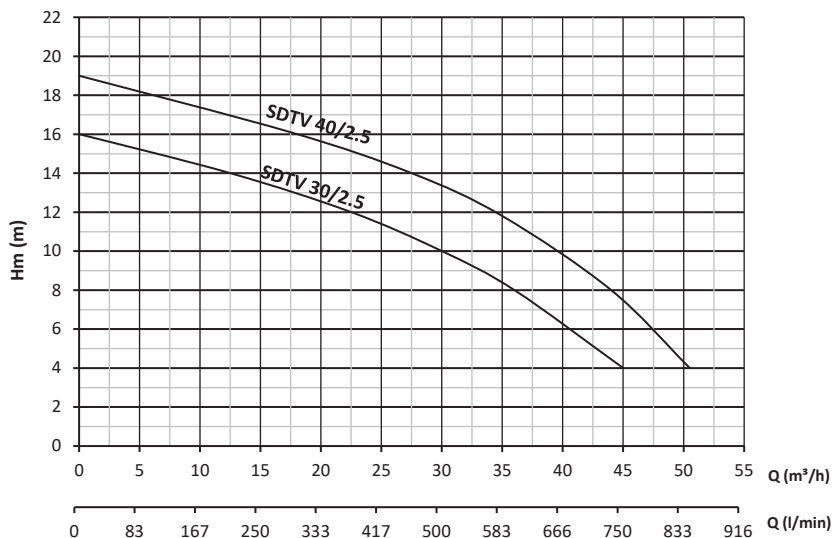
PUMP MATERIAL PROPERTIES

PUMP BODY	GG25 CAST IRON
IMPELLER	GG25 CAST IRON
SHAFT	AISI 304 INOX
FLOW RATE (max.)	52 m ³ /hour
TOTAL HEAD (max.)	19 m
LIQUID TEMPERATURE	0-30°C
PROTECTION CLASS	IP 68
INSULATION	Cl.F
CABLE LENGHT	10 m
MECHANICAL SEAL	SIC / SIC
PUMP DURABILITY PRESSURE (Pmax)	6 bar

Type	Control Panel	Open Impeller	Closed Impeller	Blade	Stainless (AISI 304 INOX)	Cast Iron Impeller (GG25)	Noryl Impeller
SDTV30/2.5	✓	✓				✓	
SDTV40/2.5	✓	✓				✓	

TECHNICAL SPECIFICATIONS

TYPE	MOTOR							PUMP											
	KW	HP	V	Hz	A	RPM	Hm	OUTPUT	W mm	L mm	H mm	▽ m	KG	m ³ /h	10	20	30	40	50
SDTV30/2.5	2.2	3	380	50	5	2900	16	2½	240	309	520	7	47.5	ms	14	13	10	6	-
SDTV40/2.5	3	4	380	50	7.4	2900	19	2½	240	309	520	7	49		17	16	13	10	4



SDF20/2



SDF20/3



DEFINITION

These pumps with cast iron body and cast iron impeller are automatically operating (With floater) pumps. It is designed to be used in the pumping of septic water containing fibrous solid particles.

These pumps are manufactured at frequencies of 50 Hz and 60 Hz.

USAGE AREAS

These pumps are used in residential areas, industrial facilities, high flow excavation pits, discharge of rain and sewage water, waterfalls, basements, ornamental pools, standing water and water containing max. 30 mm particles.

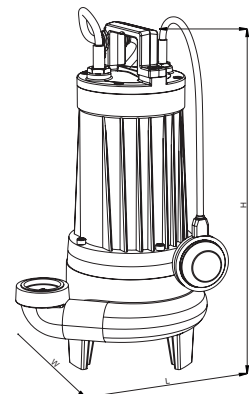
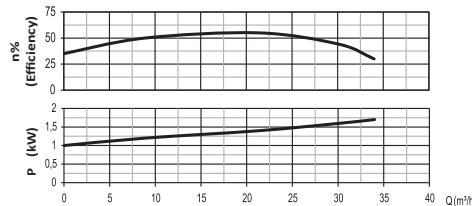
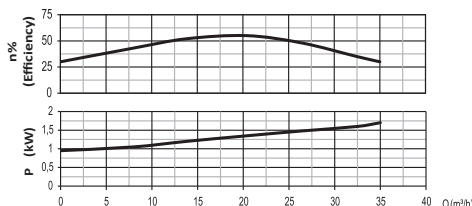
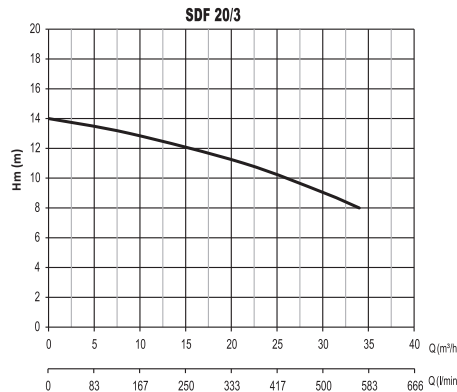
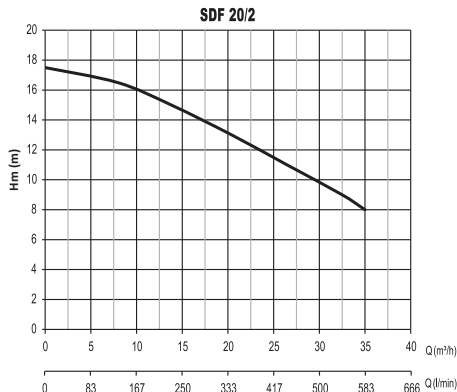
PUMP MATERIAL PROPERTIES

PUMP BODY	GG25 CAST IRON
IMPELLER	GG25 CAST IRON
SHAFT	AISI 304 INOX
FLOW RATE (max.)	40 m ³ /hour
TOTAL HEAD (max.)	17 m
LIQUID TEMPERATURE	0-30 °C
PROTECTION CLASS	IP 68
INSULATION	Cl.F
CABLE LENGHT	10 m
MECHANICAL SEAL	SIC / SIC
PUMP DURABILITY PRESSURE (Pmax)	6 bar

Type	Control Panel	Open Impeller	Closed Impeller	Blade	Stainless (AISI 304 INOX)	Cast Iron Impeller (GG25)	Noryl Impeller
SDF20/2	✓		✓			✓	
SDF20/3	✓		✓			✓	

TECHNICAL SPECIFICATIONS

TYPE	MOTOR										PUMP												
	KW	HP	V	Hz	A	RPM	CAPACITOR uf	Vc	Hm	OUTPUT	W	L	H	▽	KG	m ³ /h	5	15	25	30	35		
SDF20/2	1.6	2.2	220	380	50	9.5	3.4	2900	50	450	17.5	2"	240	309	520	7	44.5	ms	17	15	11	10	8
SDF20/2																							
SDF20/3	1.6	2.2	220	380	50	10	3.4	2900	50	450	14	3"	250	350	530	7	46		13.5	12	10	9	8
SDF20/3																							



SDF30/2.5



SDT40/2.5



DEFINITION

These pumps have cast iron body, cast iron vortex impeller and stainless steel support. It is designed to be used in the pumping of septic water containing fibrous solid particles.

These pumps are manufactured at frequencies of 50 Hz and 60 Hz.

USAGE AREAS

These pumps are used in residential areas, industrial facilities, high flow excavation pits, discharge of rain and sewage water, waterfalls, basements, ornamental pools, standing water and water containing max. 50 mm particles.

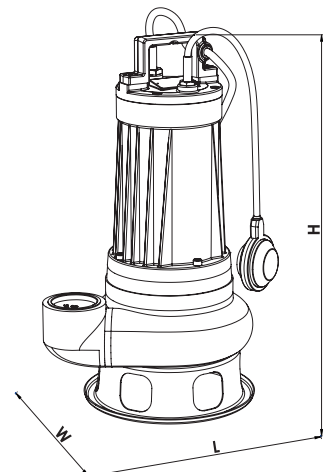
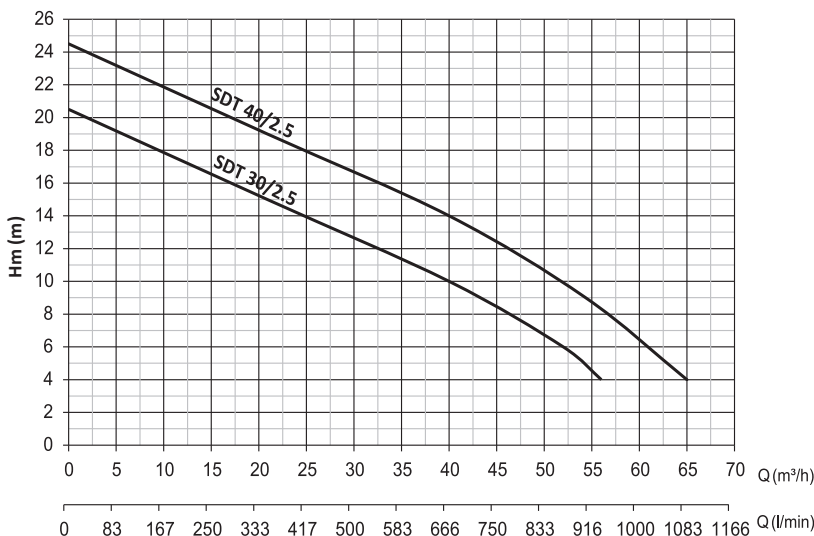
PUMP MATERIAL PROPERTIES

PUMP BODY	GG25 CAST IRON
IMPELLER	AISI 304 INOX
SHAFT	AISI 304 INOX
FLOW RATE (max.)	70 m ³ /hour
TOTAL HEAD (max.)	24.5 m
LIQUID TEMPERATURE	0-30 °C
PROTECTION CLASS	IP 68
INSULATION	Cl.F
CABLE LENGHT	10 m
MECHANICAL SEAL	SIC / SIC
PUMP DURABILITY PRESSURE (Pmax)	6 bar

Type	Control Panel	Open Impeller	Closed Impeller	Blade	Stainless (AISI 304 INOX)	Cast Iron Impeller (GG25)	Noryl Impeller
SDF30/2.5	✓		✓		✓		
SDT30/2.5							
SDT40/2.5	✓		✓		✓		

TECHNICAL SPECIFICATIONS

TYPE	MOTOR								PUMP														
	KW/HP	V	Hz	A	RPM	uf	Vc	Hm	OUTPUT	W	L	H	▽	KG	m ³ /h	10	20	30	40	50			
		MONO	TRI	MONO	TRI					mm	mm	mm	m		ms								
SDF30/2.5	2.2	3	220	380	50	13.5	5	2900	50	450	20.5	2 ^{1/2}	240	309	520	7	47.5		18	15	13	10	7
SDT30/2.5																							
SDT40/2.5	3	4	220	380	50	7.4		2900	-	-	24.5	2 ^{1/2}	240	309	520	7	49		22	19	17	14	10



SDT40/3



DEFINITION

These pumps have cast iron body and cast iron impeller. It is designed to be used in the pumping of septic water containing fibrous solid particles. These pumps are manufactured at frequencies of 50 Hz and 60 Hz.

USAGE AREAS

These pumps are used in residential areas, industrial facilities, high flow excavation pits, discharge of rain and sewage water, waterfalls, basements, ornamental pools, standing water and water containing max. 30 mm particles.

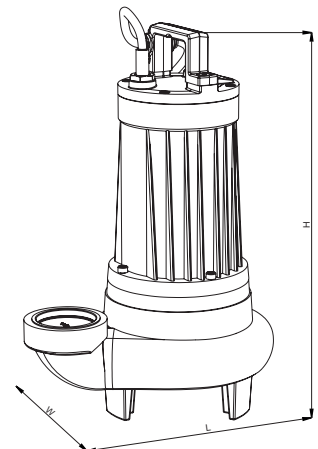
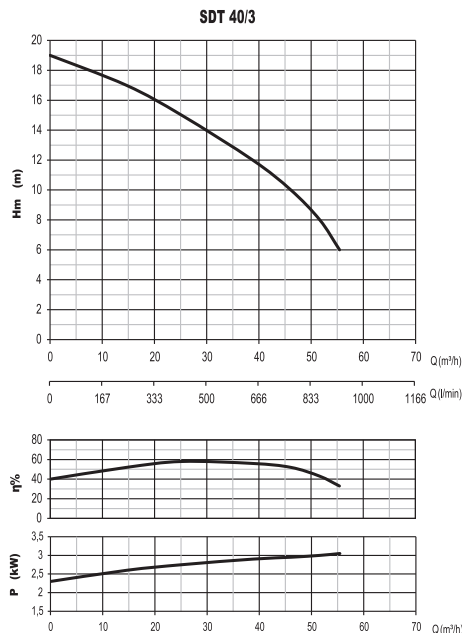
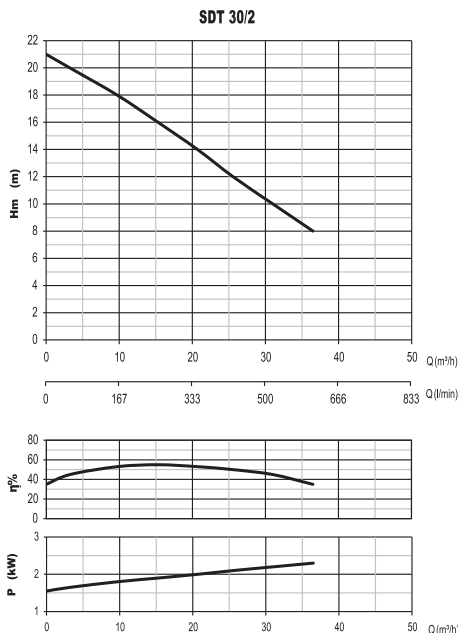
PUMP MATERIAL PROPERTIES

PUMP BODY	GG25 CAST IRON
IMPELLER	GG25 CAST IRON
SHAFT	AISI 304 INOX
FLOW RATE (max.)	60 m ³ /hour
TOTAL HEAD (max.)	21 m
LIQUID TEMPERATURE	0-30 °C
PROTECTION CLASS	IP 68
INSULATION	Cl.F
CABLE LENGHT	10 m
MECHANICAL SEAL	SIC / SIC
PUMP DURABILITY PRESSURE (Pmax)	6 bar

Type	Control Panel	Open Impeller	Closed Impeller	Blade	Stainless (AISI 304 INOX)	Cast Iron Impeller (GG25)	Noryl Impeller
SDT30/2	✓		✓			✓	
SDT40/3	✓		✓			✓	

TECHNICAL SPECIFICATIONS

MOTOR							PUMP												
TYPE	KW	HP	V	Hz	A	RPM	Hm	OUTPUT	W mm	L mm	H mm	▽ m	KG	m ³ /h	10	20	30	40	50
SDT30/2	2.2	3	380	50	4	2900	21	2"	260	330	530	7	46.5	mss	18	14	10	7	-
SDT40/3	3	4	380	50	6.7	2900	19	3"	260	330	530	7	48		17.5	16	14	12	9



SDTK100/4



SDTK150/4



DEFINITION

These pumps have cast iron body and cast iron impeller. It is designed to be used in the pumping of septic water containing fibrous solid particles. These pumps are manufactured at frequencies of 50 Hz and 60 Hz.

USAGE AREAS

These pumps are used in residential areas and industrial facilities, in high flow excavation pits, for discharging rain and septic water, in high flow ornamental pools, in small waterfalls for ornamental purposes, and for discharging water containing maximum 30 mm particles.

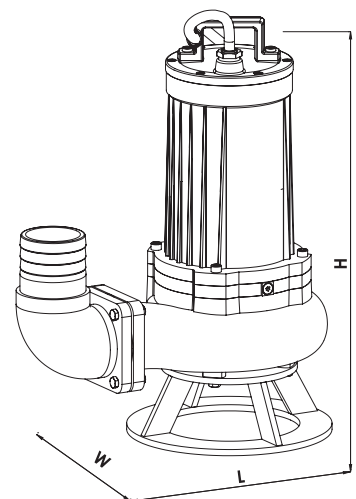
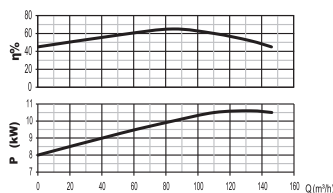
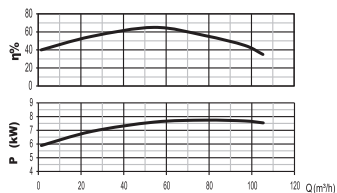
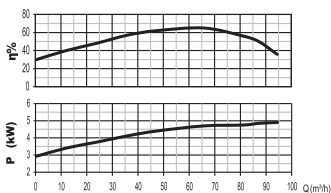
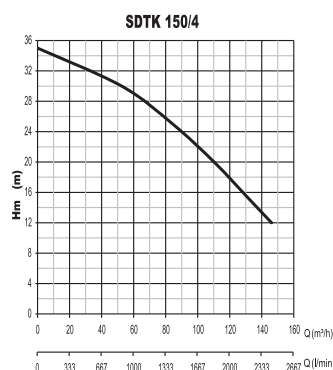
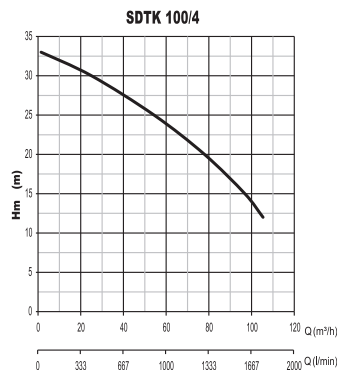
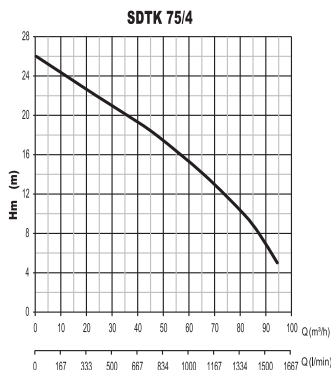
PUMP MATERIAL PROPERTIES

PUMP BODY	GG25 CAST IRON
IMPELLER	GG25 CAST IRON
SHAFT	AISI 304 INOX
FLOW RATE (max.)	150 m ³ /hour
TOTAL HEAD (max.)	35 m
LIQUID TEMPERATURE	0-30 °C
PROTECTION CLASS	IP 68
INSULATION	C.I.F
CABLE LENGHT	10 m
MECHANICAL SEAL	SIC / SIC
PUMP DURABILITY PRESSURE (Pmax)	8 bar

Type	Control Panel	Open Impeller	Closed Impeller	Blade	Stainless (AISI 304 INOX)	Cast Iron Impeller (GG25)	Noryl Impeller
SDTK75/4	✓		✓			✓	
SDTK100/4	✓		✓			✓	
SDTK150/4	✓		✓			✓	

TECHNICAL SPECIFICATIONS

TYPE	MOTOR						PUMP													
	KW	HP	V	Hz	A	RPM	Hm	OUTPUT	W mm	L mm	H mm	▽ m	KG	m ³ /h	20	40	60	80	110	130
SDTK75/4	5.5	7.5	380	50	10	2900	26	4"	320	525	660	7	88.5	mss	23	19	15	10	-	-
SDTK100/4	7.5	10	380	50	13	2900	33	4"	320	525	660	7	94		30	27	24	19	10	-
SDTK150/4	11	15	380	50	20	2900	35	4"	365	630	695	7	138		33	31	29	26	20	15



SDK150/6



DEFINITION

These pumps have cast iron body and cast iron impeller. It is designed to be used in the pumping of septic water containing fibrous solid particles. These pumps are manufactured at frequencies of 50 Hz and 60 Hz.

USAGE AREAS

These pumps are used in residential areas, industrial facilities, high flow excavation pits, discharge of rain and sewage water, waterfalls, basements, ornamental pools, standing water and water containing max. 50 mm particles.

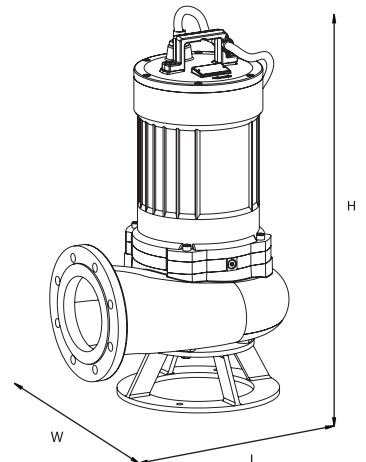
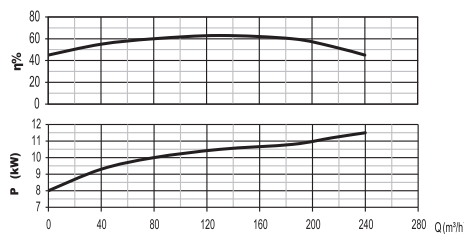
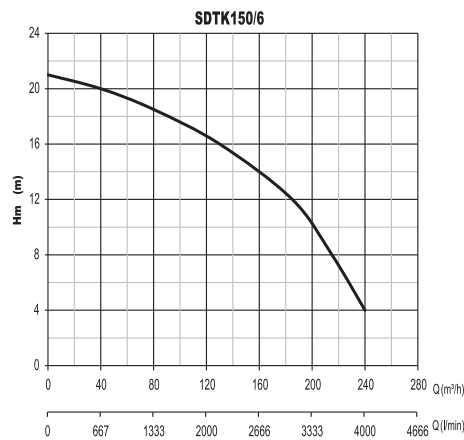
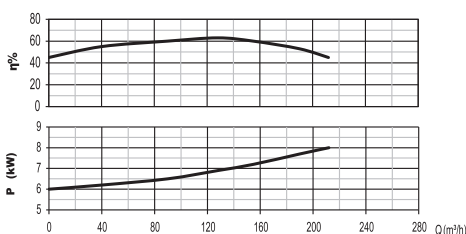
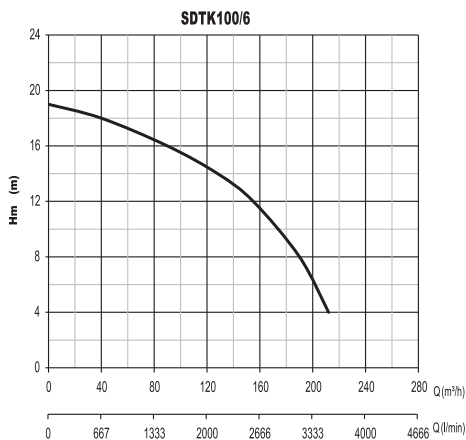
PUMP MATERIAL PROPERTIES

PUMP BODY	GG25 CAST IRON
IMPELLER	GG25 CAST IRON
SHAFT	AISI 420 INOX
FLOW RATE (max.)	240 m ³ /hour
TOTAL HEAD (max.)	21 m
LIQUID TEMPERATURE	0-30 °C
PROTECTION CLASS	IP 68
INSULATION	Cl.F
CABLE LENGHT	10 m
MECHANICAL SEAL	SIC / SIC
PUMP DURABILITY PRESSURE (Pmax)	10 bar
CONNECTION FLANGE	DN 150 PN 6

Type	Control Panel	Open Impeller	Closed Impeller	Blade	Stainless (AISI 304 INOX)	Cast Iron Impeller (GG25)	Noryl Impeller
SDK100/6	✓		✓			✓	
SDK150/6	✓		✓			✓	

TECHNICAL SPECIFICATIONS

TYPE	MOTOR							PUMP											
	KW	HP	V	Hz	A	RPM	Hm	OUTPUT	W mm	L mm	H mm	▽ m	KG	m ³ /h	40	80	120	160	200
SDK100/6	7.5	10	400	50	15	2900	19	6"	320	525	660	7	127.5	mss	18	16	14	11	6
SDK150/6	11	15	400	50	22	2900	21	6"	365	630	695	7	137.5		20	19	17	14	10



SDTK300/6



DEFINITION

These pumps have cast iron body, cast iron impeller and 1450 RPM. It is designed to be used in the pumping of septic water containing fibrous solid particles.

These pumps are manufactured at frequencies of 50 Hz and 60 Hz.

USAGE AREAS

These pumps are residential areas, industrial facilities, high flow excavation pits, sand and mines pits, treatment facilities, discharge of rain and septic water and water containing max. 50 mm particles.

These pumps are suitable for use in heavy septic waters because it is 1450 RPM.

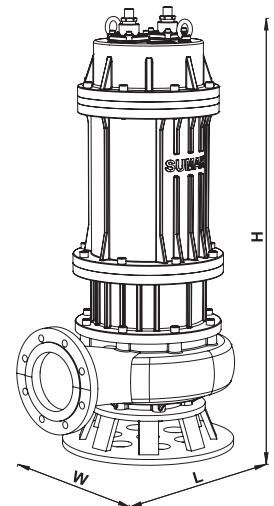
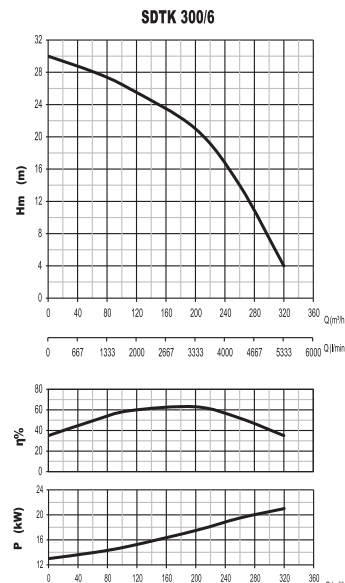
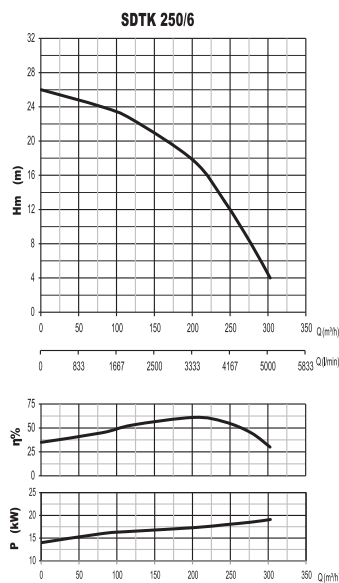
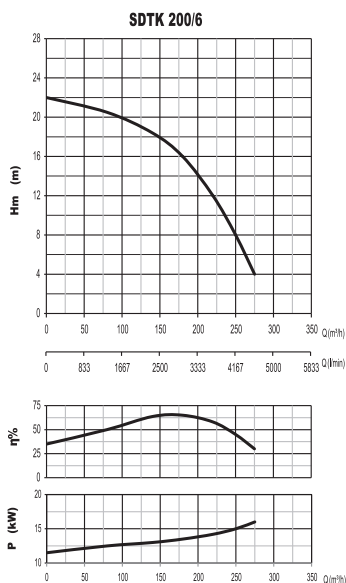
PUMP MATERIAL PROPERTIES

PUMP BODY	GG25 CAST IRON
IMPELLER	GG25 CAST IRON
SHAFT	AISI 420 INOX
FLOW RATE (max.)	320 m ³ /hour
TOTAL HEAD (max.)	30 m
LIQUID TEMPERATURE	0-30 °C
PROTECTION CLASS	IP 68
INSULATION	C.I.F
CABLE LENGHT	10 m
MECHANICAL SEAL	SIC / SIC
PUMP DURABILITY PRESSURE (Pmax)	10 bar
CONNECTION FLANGE	DN 150 PN 6

Type	Control Panel	Open Impeller	Closed Impeller	Blade	Stainless (AISI 304 INOX)	Cast Iron Impeller (GG25)	Noryl Impeller
SDTK200/6	✓		✓			✓	
SDTK250/6	✓		✓			✓	
SDTK300/6	✓		✓			✓	

TECHNICAL SPECIFICATIONS

MOTOR							PUMP												
TYPE	KW	HP	V	Hz	A	RPM	Hm	OUTPUT	W mm	L mm	H mm	▽ m	KGm ³ /h	40	100	200	250	300	
SDTK200/6	15	20	380	50	30	1450	22	6"	465	568	1137	7	346	mss	21	20	14	8	-
SDTK250/6	18.5	25	380	50	32	1450	26	6"	465	568	1137	7	346		25	23	18	12	4
SDTK300/6	22	30	380	50	43	1450	30	6"	465	568	1137	7	368		29	27	21	15	8



SDTK500/6

New Product



DEFINITION

These pumps have cast iron body, cast iron impeller and 1450 RPM. It is designed to be used in the pumping of septic water containing fibrous solid particles.

These pumps are manufactured at frequencies of 50 Hz and 60 Hz.

USAGE AREAS

These pumps are residential areas, industrial facilities, high flow excavation pits, sand and mines pits, treatment facilities, discharge of rain and septic water and water containing max. 70 mm particles.

These pumps are suitable for use in heavy septic waters because it is 1450 RPM.

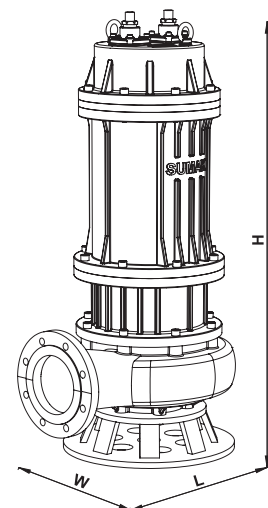
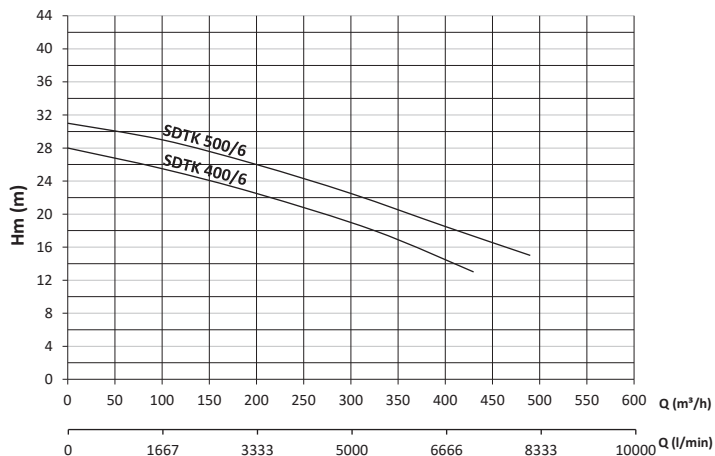
PUMP MATERIAL PROPERTIES

PUMP BODY	GG25 CAST IRON
IMPELLER	GG25 CAST IRON
SHAFT	AISI 420 INOX
FLOW RATE (max.)	560 m ³ /hour
TOTAL HEAD (max.)	40 m
LIQUID TEMPERATURE	0-30 °C
PROTECTION CLASS	IP 68
INSULATION	Cl.F
CABLE LENGHT	10 m
MECHANICAL SEAL	SIC / SIC
PUMP DURABILITY PRESSURE (Pmax)	6 bar
CONNECTION FLANGE	DN 150 PN 6

Type	Control Panel	Open Impeller	Closed Impeller	Blade	Stainless (AISI 304 INOX)	Cast Iron Impeller (GG25)	Noryl Impeller
SDTK400/6	✓		✓			✓	
SDTK500/6	✓		✓			✓	

TECHNICAL SPECIFICATIONS

MOTOR								PUMP											
TYPE	KW	HP	V	Hz	A	RPM	Hm	OUTPUT	W mm	L mm	H mm	▽ m	KG	m ³ /h	100	200	300	400	500
SDTK400/6	30	40	380	50	60	1450	28	6"	558	658	1240	7	495	mss	25.5	22.5	19	14.5	-
SDTK500/6	37	50	380	50	74	1450	31	6"	558	658	1240	7	495		29	26	22.5	18.5	14



SDTK750/6

New Product



DEFINITION

These pumps have cast iron body, cast iron impeller and 1450 RPM. It is designed to be used in the pumping of septic water containing fibrous solid particles.

These pumps are manufactured at frequencies of 50 Hz and 60 Hz.

USAGE AREAS

These pumps are residential areas, industrial facilities, high flow excavation pits, sand and mines pits, treatment facilities, discharge of rain and septic water and water containing max. 70 mm particles.

These pumps are suitable for use in heavy septic waters because it is 1450 RPM.

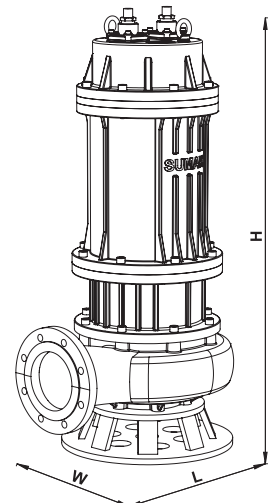
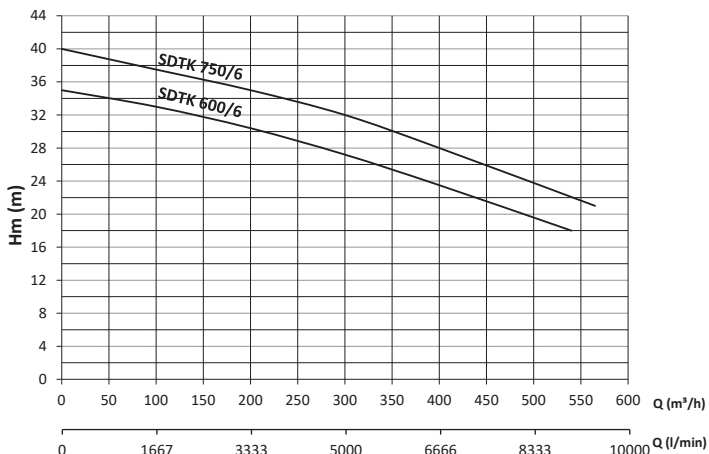
PUMP MATERIAL PROPERTIES

PUMP BODY	GG25 CAST IRON
IMPELLER	GG25 CAST IRON
SHAFT	AISI 420 INOX
FLOW RATE (max.)	560 m ³ /hour
TOTAL HEAD (max.)	40 m
LIQUID TEMPERATURE	0-30 °C
PROTECTION CLASS	IP 68
INSULATION	Cl.F
CABLE LENGHT	10 m
MECHANICAL SEAL	SIC / SIC
PUMP DURABILITY PRESSURE (Pmax)	6 bar
CONNECTION FLANGE	DN 150 PN 6

Type	Control Panel	Open Impeller	Closed Impeller	Blade	Stainless (AISI 304 INOX)	Cast Iron Impeller (GG25)	Noryl Impeller
SDTK600/6	✓		✓			✓	
SDTK750/6	✓		✓			✓	

TECHNICAL SPECIFICATIONS

TYPE	MOTOR							PUMP											
	KW	HP	V	Hz	A	RPM	Hm	OUTPUT	W mm	L mm	H mm	▽ m	KG	m ³ /h	100	200	300	400	500
SDTK600/6	45	60	380	50	90	1450	35	6"	558	658	1300	7	650	mss	33	30	27	23.5	19.5
SDTK750/6	55	75	380	50	110	1450	40	6"	558	658	1300	7	690		37.5	35	32	28	24



SDTV75/4



DEFINITION

These pumps have cast iron body, cast iron vortex impeller and 1450 RPM. It is designed to be used in the pumping of septic water containing fibrous solid particles.

These pumps are manufactured at frequencies of 50 Hz and 60 Hz.

USAGE AREAS

These pumps are in residential areas, industrial facilities, high flow excavation pits, sand and mines pits, treatment facilities, discharge of rain and septic water and water containing max. 50 mm particles.

These pumps are suitable for use in heavy septic waters because it is 1450 RPM.

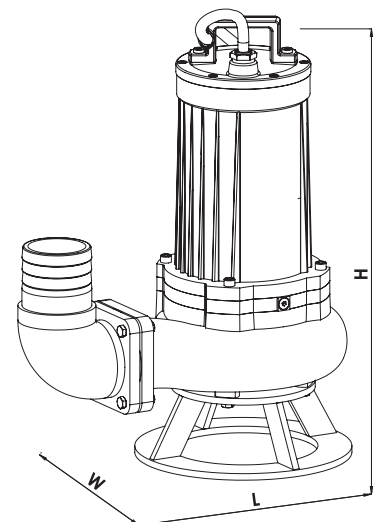
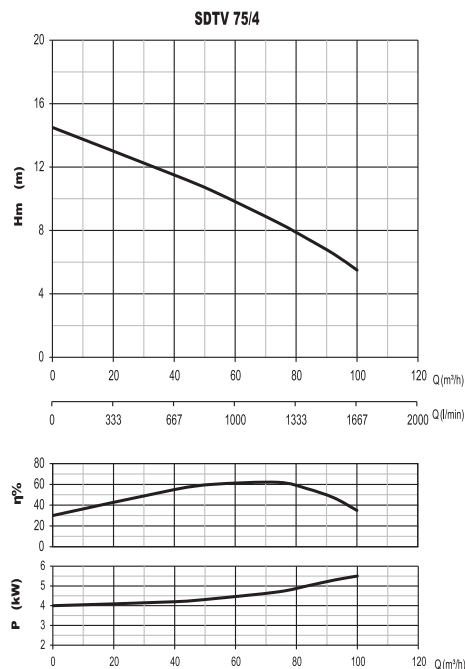
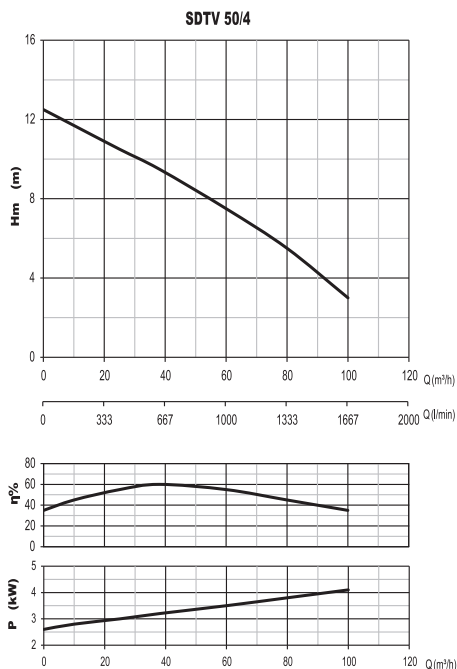
PUMP MATERIAL PROPERTIES

PUMP BODY	GG25 CAST IRON
IMPELLER	GG25 CAST IRON
SHAFT	AISI 304 INOX
FLOW RATE (max.)	110 m ³ /hour
TOTAL HEAD (max.)	14 m
LIQUID TEMPERATURE	0-30 °C
PROTECTION CLASS	IP 68
INSULATION	Cl.F
CABLE LENGHT	10 m
MECHANICAL SEAL	SIC / SIC
PUMP DURABILITY PRESSURE (Pmax)	8 bar

Type	Control Panel	Open Impeller	Closed Impeller	Blade	Stainless (AISI 304 INOX)	Cast Iron Impeller (GG25)	Noryl Impeller
SDTV50/4	✓	✓				✓	
SDTV75/4	✓	✓				✓	

TECHNICAL SPECIFICATIONS

MOTOR								PUMP											
TYPE	KW	HP	V	Hz	A	RPM	Hm	OUTPUT	W	L	H	▽	KG	m ³ /h	15	30	60	80	100
									mm	mm	mm	m							
SDTV50/4	4	5.5	380	50	9	1450	12.5	4"	320	525	660	7	91.5	m ³ /h	11	10	7.5	5	3
SDTV75/4	5.5	7.5	380	50	12	1450	14.5	4"	320	525	660	7	96		13.5	12	10	8	5



SDTV150/4



DEFINITION

These pumps have cast iron body and cast iron vortex impeller. It is designed to be used in the pumping of septic waters containing fibrous solid particles. These pumps are manufactured at frequencies of 50 Hz and 60 Hz.

USAGE AREAS

These pumps are used in residential areas, industrial facilities, high flow excavation pits, sand and mines pits, treatment facilities, discharge of rain and septic water and water containing max. 50 mm particles.

PUMP MATERIAL PROPERTIES

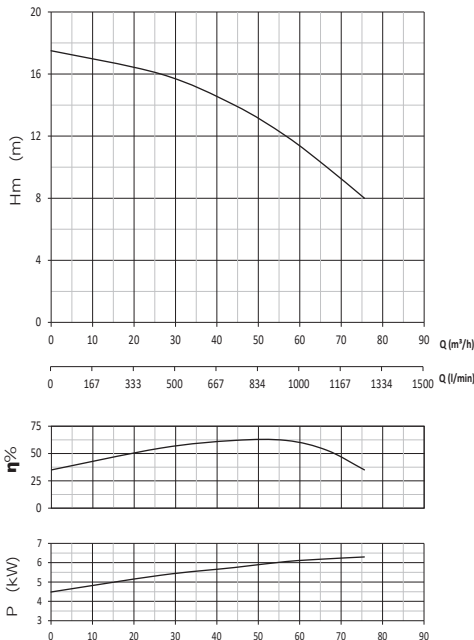
PUMP BODY	GG25 CAST IRON
IMPELLER	GG25 CAST IRON
SHAFT	AISI 304 INOX
FLOW RATE (max.)	140 m ³ /hour
TOTAL HEAD (max.)	18 m
LIQUID TEMPERATURE	0-30 °C
PROTECTION CLASS	IP 68
INSULATION	Cl.F
CABLE LENGHT	10 m
MECHANICAL SEAL	SIC / SIC
PUMP DURABILITY PRESSURE (Pmax)	10 bar

Type	Control Panel	Open Impeller	Closed Impeller	Blade	Stainless (AISI 304 INOX)	Cast Iron Impeller (GG25)	Noryl Impeller
SDTV100/4	✓	✓				✓	
SDTV150/4	✓	✓				✓	

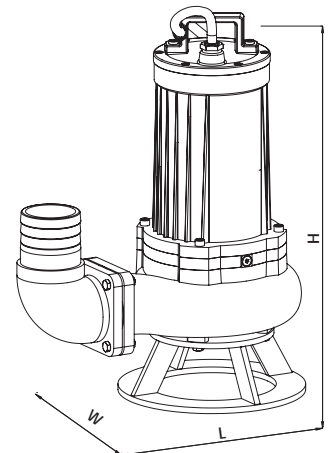
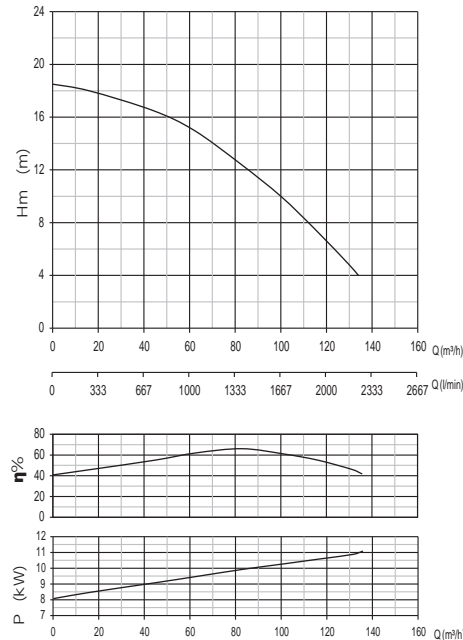
TECHNICAL SPECIFICATIONS

MOTOR								PUMP											
TYPE	KW	HP	V	Hz	A	RPM	Hm	OUTPUT	W	L	H	▽	KG	m ³ /h	30	60	80	100	130
SDTV100/4	7.5	10	380	50	14	2900	17	4"	290	525	661	7	91	miss	16	12	7	-	-
SDTV150/4	11	15	380	50	22	2900	18.5	4"	365	630	695	7	135.5		17	15	13	10	5

SDTV 100/4



SDTV 150/4



SDTB75/4



DEFINITION

These pumps have cast iron body, cast iron impeller and 1450 RPM. It is designed to be used in the pumping of septic water containing fibrous solid particles.

These pumps are manufactured at frequencies of 50 Hz and 60 Hz.

USAGE AREAS

These pumps are used in residential areas, industrial facilities, high flow excavation pits, sand and mines pits, treatment facilities, discharge of rain and septic water and water containing max. 30 mm particles.

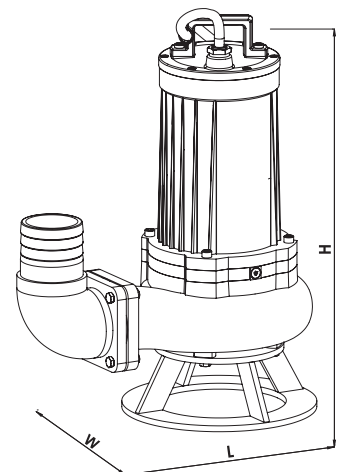
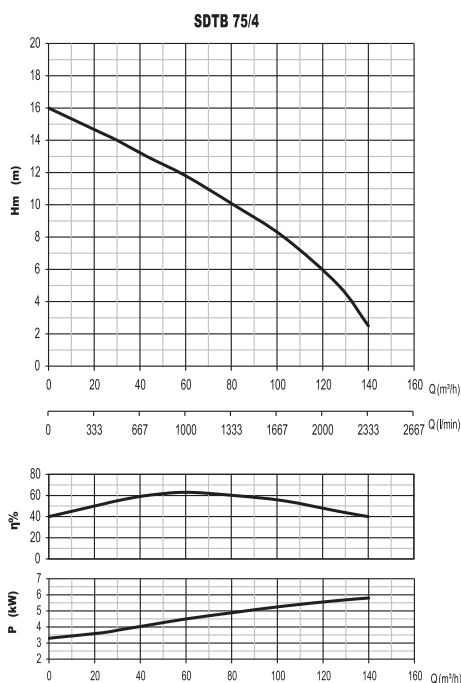
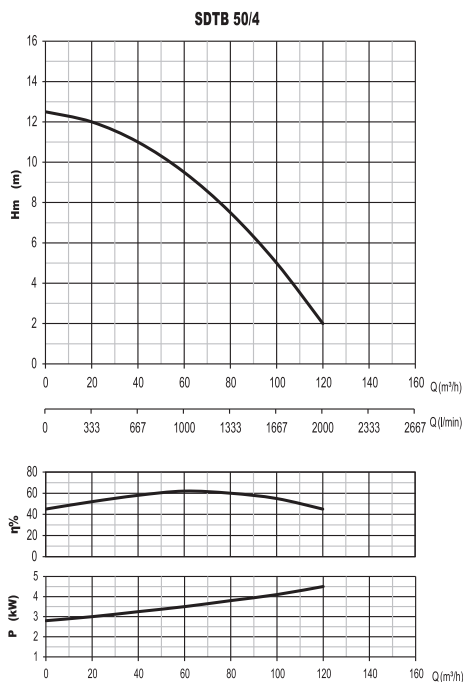
PUMP MATERIAL PROPERTIES

PUMP BODY	GG25 CAST IRON
IMPELLER	GG25 CAST IRON
SHAFT	AISI 304 INOX
FLOW RATE (max.)	140 m ³ /hour
TOTAL HEAD (max.)	16 m
LIQUID TEMPERATURE	0-30 °C
PROTECTION CLASS	IP 68
INSULATION	Cl.F
CABLE LENGHT	10 m
MECHANICAL SEAL	SIC / SIC
PUMP DURABILITY PRESSURE (Pmax)	8 bar

Type	Control Panel	Open Impeller	Closed Impeller	Blade	Stainless (AISI 304 INOX)	Cast Iron Impeller (GG25)	Noryl Impeller
SDTB50/4	✓		✓			✓	
SDTB75/4	✓		✓			✓	

TECHNICAL SPECIFICATIONS

MOTOR							PUMP													
TYPE	KW	HP	V	Hz	A	RPM	Hm	OUTPUT	W mm	L mm	H mm	▽ m	KG	m ³ /h	20	40	60	80	110	130
SDTB50/4	4	5.5	380	50	9	1450	12.5	4"	320	525	660	7	92	mss	12	11	9.5	7.5	3.5	-
SDTB75/4	5.5	7.5	380	50	12	1450	16	4"	320	525	660	7	97		14.5	13	11.5	10	7	4



1450 RPM MUDDY WATER SUBMERSIBLE PUMPS WITH MIXER

SDT75/3 C



DEFINITION

These pumps have cast iron body, stainless steel vortex impeller, 1450 RPM, mixer, cooling jacket and high solid waste permeability. It is suitable for long term operation due to the cooling jacket.

Having a suction filter provides an advantage against clogging risks. These pumps are manufactured at frequencies of 50 Hz and 60 Hz.

USAGE AREAS

These pumps are used to discharge water with a density of up to 1.5 kg/m³ - 2.5 kg/m³ in dense septic waters, tunnels, beach areas, mines and high flow construction excavations.

It discharges the liquid by reducing its density due to the mixer mounted on the pump shaft.

These pumps are suitable for use in heavy septic waters because it is 1450 RPM.

PUMP MATERIAL PROPERTIES

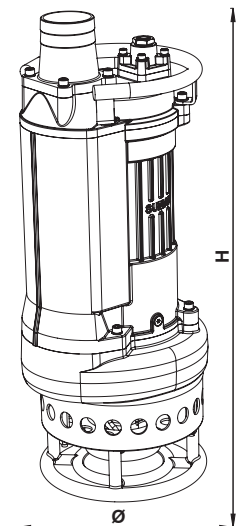
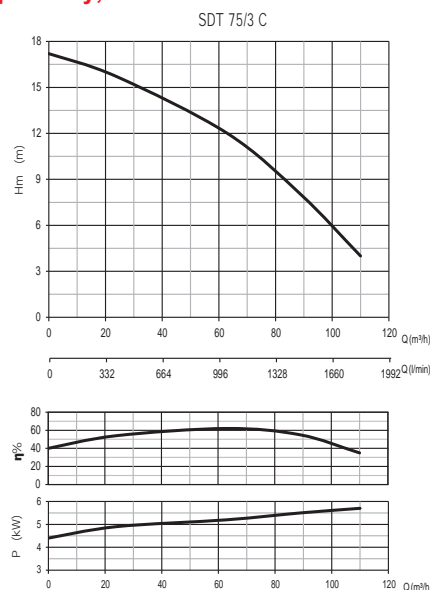
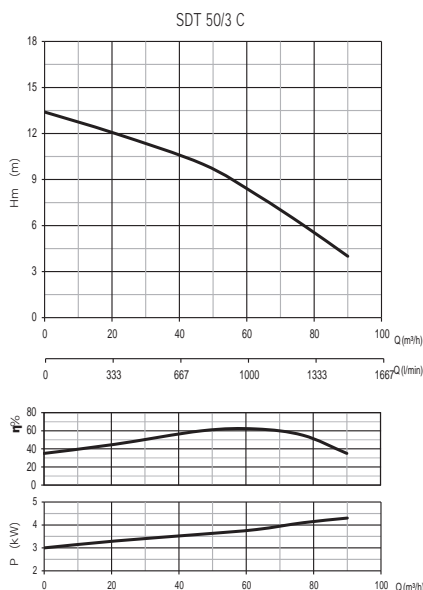
PUMP BODY	GG25 CAST IRON
IMPELLER	AISI 430 INOX
MIXER	AISI 430 INOX
SHAFT	AISI 420
FLOW RATE (max.)	120 m ³ /hour
TOTAL HEAD (max.)	17.5 m
LIQUID PUMPING TEMPERATURE	0-30°C
PROTECTION CLASS	IP 68
INSULATION CLASS	Cl.F
CABLE LENGTH	10 m
SEAL	SIC / SIC
PUMP DURABILITY PRESSURE (Pmax)	8 bar

Type	Control Panel	Open Impeller	Closed Impeller	Mixer	Stainless (AISI 304 INOX)	Cast Iron Impeller (GG25)	Noryl Impeller
SDT50/3 C	✓	✓		✓	✓		
SDT75/3 C	✓	✓		✓	✓		

TECHNICAL SPECIFICATIONS

TYPE	MOTOR							PUMP										
	KW	HP	V	Hz	A	RPM	Hm	OUTPUT	Q mm	H mm	▽ m	KG	m ³ /h	20	40	60	80	100
* SDT50/3 C	4	5.5	380	50	9.5	1450	13	3"	360	880	7	129.5	mss	12	10.5	8.5	5.5	-
* SDT75/3 C	5.5	7.5	380	50	12	1450	17	3"	360	880	7	136.5		16	14.5	12.5	9.5	6

*Optionally, it can be manufactured with a 4" outlet joint.



SBRM19/2



DEFINITION

These pumps with stainless steel body, cast iron vortex impeller and grinder blades are easy to portable, easy to install and automatic operation (with floater) pumps. It is designed for use in pumping septic waters. It break into the solid particles in the water and facilitates drainage because of it has blade.

It has a long life and provides quiet operation due to its oil cooled engine design.

These pumps are manufactured at frequencies of 50 Hz and 60 Hz.

USAGE AREAS

These pumps are used to discharge water in residential areas, industrial facilities, rain and septic waters, hotels and treatment facilities.

PUMP MATERIAL PROPERTIES

PUMP BODY	AISI 304 INOX
IMPELLER	GG25 CAST IRON
SHAFT	AISI 304 INOX
FLOW RATE (max.)	18 m ³ /hour
TOTAL HEAD (max.)	13.5 m
LIQUID PUMPING TEMPERATURE	0-30°C
PROTECTION CLASS	IP 68
INSULATION	Cl.F
CABLE LENGTH	10 m
BLADE	AISI-420 INOX
SEAL	SIC / SIC
PUMP DURABILITY PRESSURE (Pmax)	4 bar

SBRM19/2-P

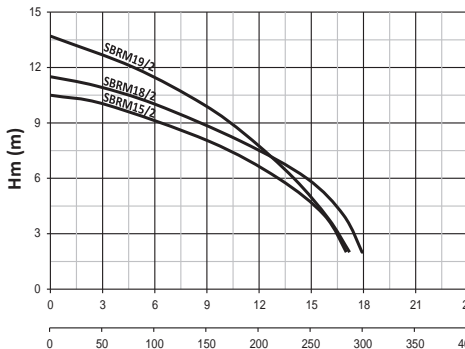


TECHNICAL SPECIFICATIONS

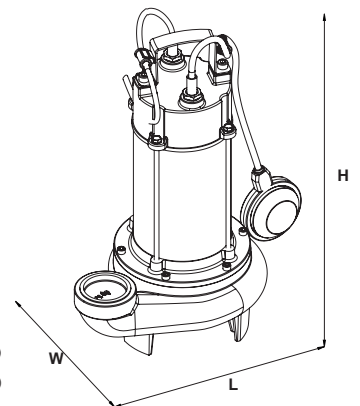
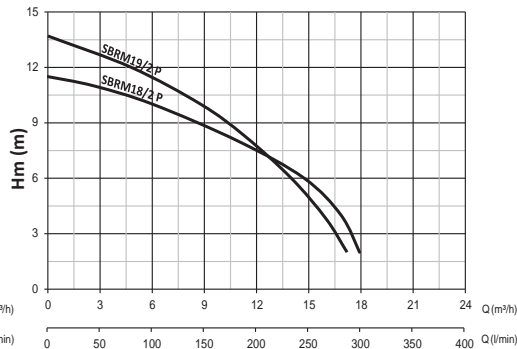
MOTOR											PUMP													
TYPE	KW	HP	V	Hz	A		RPM	CAPACITOR		Hm	OUTPUT	W	L	H	▽	m	KG	m ³ /h	2	6	9	12	15	
					Mono	Tri		uf	Vc															mm
SBRM15/2	1.1	1.5	220	50	5.8	2.7	2900	30	450	10.5	2"	200	280	430	7	23.5	mss	10	9	8	7	4		
SBRT15/2																25								
SBRM18/2	1.35	1.8	220	50	6.3	3	2900	30	450	11.5	2"	200	280	430	7	23.5		11	10	9	8	6		
SBRT18/2																25								
SBRM19/2	1.35	1.8	220	50	6.8	3	2900	30	450	13.8	2"	200	280	430	7	23.5	13.5	11	10	8.5	5			
SBRT19/2																25								

MOTOR											PUMP												
TYPE	KW	HP	V	Hz	A		RPM	CAPACITOR		Hm	OUTPUT	W	L	H	▽	m	KG	m ³ /h	2	4	8	12	16
					Mono	Tri		uf	Vc														
SBRM18/2-P	1.35	1.8	220	50	6.4	3	2900	30	450	11.5	2"	200	280	380	7	23	mss	11	10.5	9	8	5	
SBRT18/2-P																23							
SBRM19/2-P	1.35	1.8	220	50	6.4	3	2900	30	450	13.8	2"	200	280	430	7	25.5	13.5	12.5	11.5	8.5	5		
SBRT19/2-P																25							

SBRM15/2



SBRM18/2P



SBRT40/2



DEFINITION

These pumps have cast iron body, cast iron vortex impeller and blade. It break into the solid particles in the water and facilitates drainage because of it has blade.

These pumps are manufactured at frequencies of 50 Hz and 60 Hz.

USAGE AREAS

These pumps are used to discharge water in residential areas, industrial facilities, rain and septic waters, hotels and treatment facilities.

PUMP MATERIAL PROPERTIES

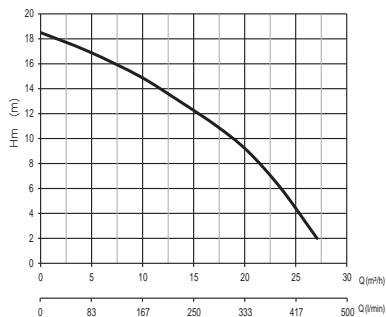
PUMP BODY	GG25 CAST IRON
IMPELLER	GG25 CAST IRON
SHAFT	AISI 304 INOX
FLOW RATE (max.)	27 m ³ /hour
TOTAL HEAD (max.)	28 m
LIQUID PUMPING TEMPERATURE	0-30°C
PROTECTION CLASS	IP 68
INSULATION	Cl.F
CABLE LENGTH	10 m
BLADE	AISI-420 INOX
SEAL	SIC / SIC
PUMP DURABILITY PRESSURE (Pmax)	8 bar

Type	Control Panel	Open Impeller	Closed Impeller	Blade	Stainless (AISI 304 INOX)	Cast Iron Impeller (GG25)	Noryl Impeller
SBRT20/2	✓	✓		✓		✓	
SBRT30/2	✓	✓		✓		✓	
SBRT40/2	✓	✓		✓		✓	

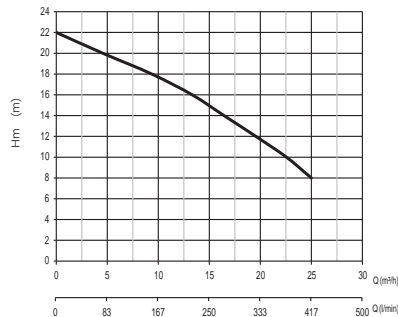
TECHNICAL SPECIFICATIONS

MOTOR								PUMP											
TYPE	KW	HP	V	Hz	A	RPM	Hm	OUTPUT	W mm	L mm	H mm	▽ m	KG	m ³ /h	5	10	15	20	25
SBRT20/2	1.6	2.2	380	50	3.4	2900	19	2"	240	309	495	7	43	mss	17	15	12	9	4
SBRT30/2	2.2	3	380	50	5	2900	22	2"	240	309	495	7	45		20	18	15	12	8
SBRT40/2	3	4	380	50	7.4	2900	28	2"	240	309	495	7	46.5		26	24	21	18	14

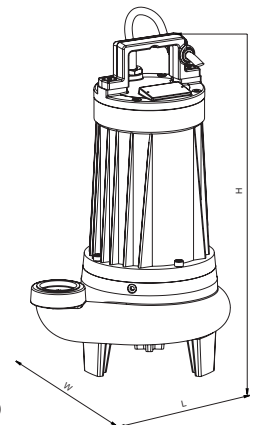
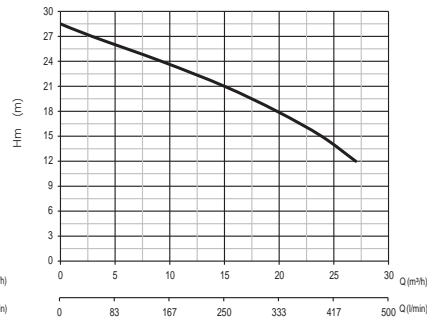
SBRT 20/2



SBRT 30/2



SBRT 40/2



SBRT40/2-P



DEFINITION

These pumps have cast iron body, cast iron vortex impeller and grinder blade. It is designed for use in pumping septic waters containing fibrous solid particles. It break into the solid particles in the water and facilitates drainage because of it has blade.

These pumps are manufactured at frequencies of 50 Hz and 60 Hz.

USAGE AREAS

These pumps are used to discharge water in residential areas, industrial facilities, rain and septic waters, hotels and treatment facilities.

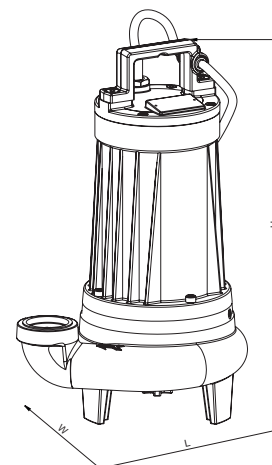
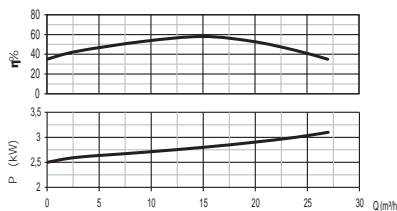
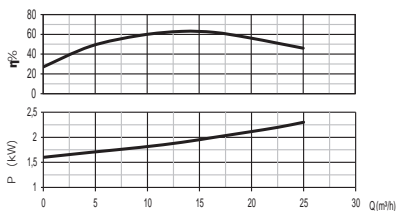
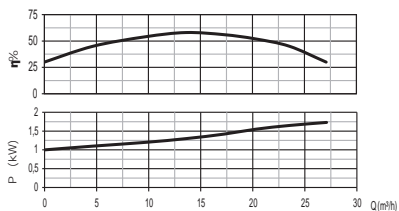
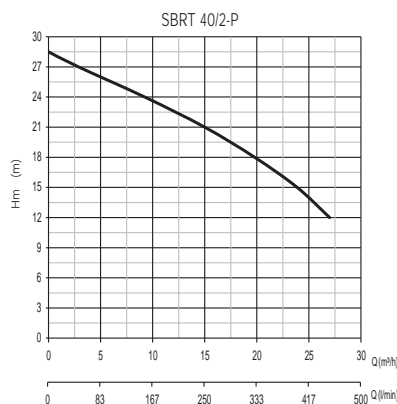
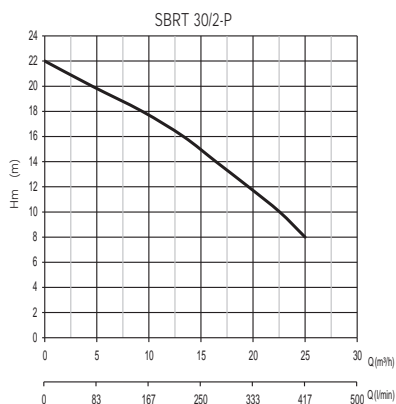
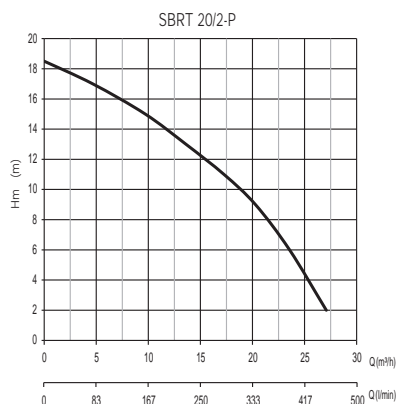
PUMP MATERIAL PROPERTIES

PUMP BODY	GG25 CAST IRON
IMPELLER	GG25 CAST IRON
SHAFT	AISI 304 INOX
FLOW RATE (max.)	30 m ³ /hour
TOTAL HEAD (max.)	28 m
LIQUID PUMPING TEMPERATURE	0-30 °C
PROTECTION CLASS	IP 68
INSULATION	Cl.F
CABLE LENGTH	10 m
BLADE	AISI- 420 INOX
SEAL	SIC / SIC
PUMP DURABILITY PRESSURE (Pmax)	8 bar

Type	Control Panel	Open Impeller	Closed Impeller	Blade	Stainless (AISI 304 INOX)	Cast Iron Impeller (GG25)	Noryl Impeller
SBRT20/2-P	✓	✓		✓		✓	
SBRT30/2-P	✓	✓		✓		✓	
SBRT40/2-P	✓	✓		✓		✓	

TECHNICAL SPECIFICATIONS

TYPE	MOTOR							PUMP										
	KW	HP	V	Hz	A	RPM	Hm	OUTPUT	W mm	L mm	H mm	▽ m	KGm ³ /h	5	10	15	20	25
SBRT20/2-P	1.6	2.2	380	50	3.4	2900	19	2"	200	309	495	7	43	17	15	12	9	4
SBRT30/2-P	2.2	3	380	50	5	2900	22	2"	240	309	495	7	45	20	18	15	12	8
SBRT40/2-P	3	4	380	50	7.4	2900	28	2"	240	309	495	7	46.5	26	24	21	18	14



SBRT75/2-P



DEFINITION

These pumps have cast iron body, cast iron vortex impeller and grinder blade. It is designed for use in pumping septic waters containing fibrous solid particles. It breaks into the solid particles in the water and facilitates drainage because of its blade.

These pumps are manufactured at frequencies of 50 Hz and 60 Hz.

USAGE AREAS

These pumps are used to discharge water in residential areas, industrial facilities, rain and septic waters, hotels and treatment facilities.

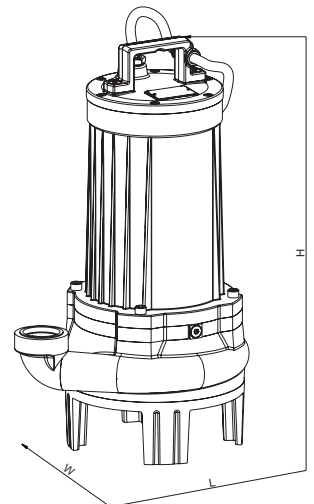
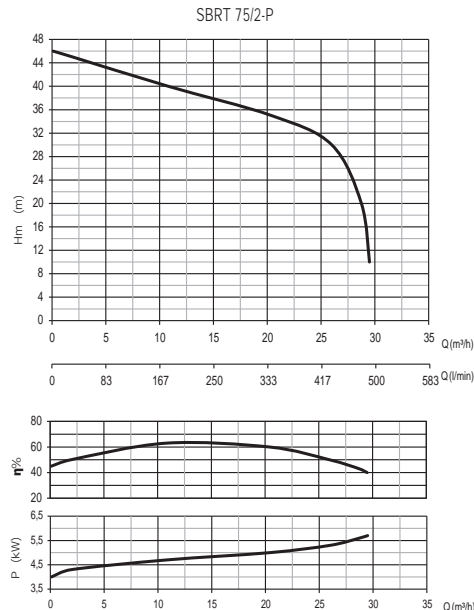
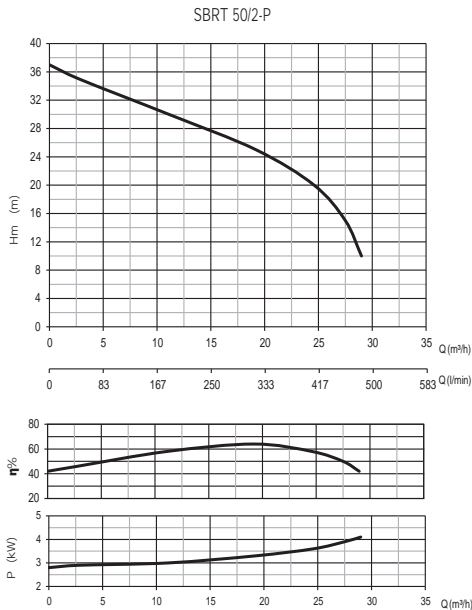
PUMP MATERIAL PROPERTIES

PUMP BODY	GG25 CAST IRON
IMPELLER	GG25 CAST IRON
SHAFT	AISI 304 INOX
FLOW RATE (max.)	30 m ³ /hour
TOTAL HEAD (max.)	46 m
LIQUID PUMPING TEMPERATURE	0-30 °C
PROTECTION CLASS	IP 68
INSULATION	Cl.F
CABLE LENGTH	10 m
BLADE	AISI- 420 INOX
SEAL	SIC / SIC
PUMP DURABILITY PRESSURE (Pmax)	8 bar

Type	Control Panel	Open Impeller	Closed Impeller	Blade	Stainless (AISI 304 INOX)	Cast Iron Impeller (GG25)	Noryl Impeller
SBRT50/2-P	✓	✓		✓		✓	
SBRT75/2-P	✓	✓		✓		✓	

TECHNICAL SPECIFICATIONS

TYPE	MOTOR							PUMP											
	KW	HP	V	Hz	A	RPM	Hm	OUTPUT	W mm	L mm	H mm	▽ m	KG m ³ /h	5	10	15	20	25	
SBRT50/2-P	4	5.5	380	50	9.5	2900	37	2"	290	380	605	7	76	33	30	28	24	20	
SBRT75/2-P	5.5	7.5	380	50	12	2900	46	2"	290	380	605	7	80	43	40	38	35	31	



SBRT75/3-P



DEFINITION

These pumps have cast iron body, cast iron vortex impeller and grinder blade. It is designed for use in pumping septic waters containing fibrous solid particles.

It break into the solid particles in the water and facilitates drainage because of it has blade.

These pumps are manufactured at frequencies of 50 Hz and 60 Hz.

USAGE AREAS

These pumps are used to discharge water in residential areas, industrial facilities, rain and septic waters, hotels and treatment facilities.

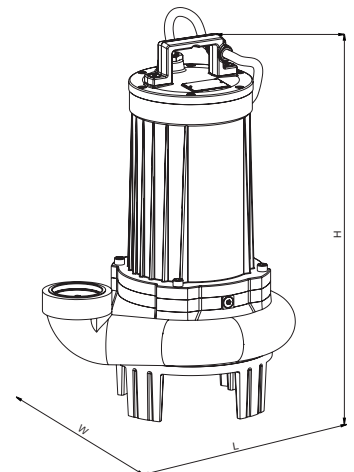
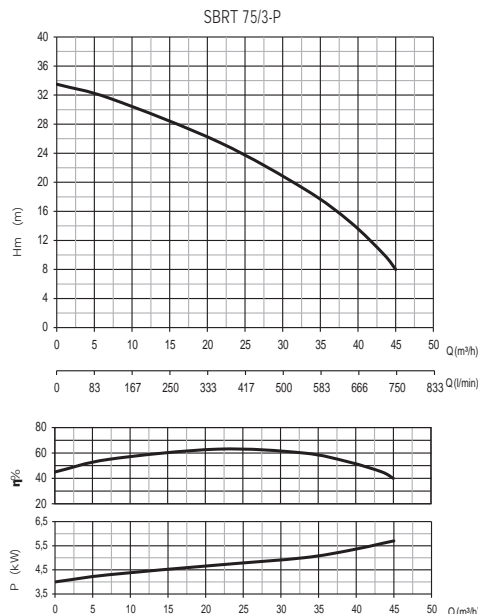
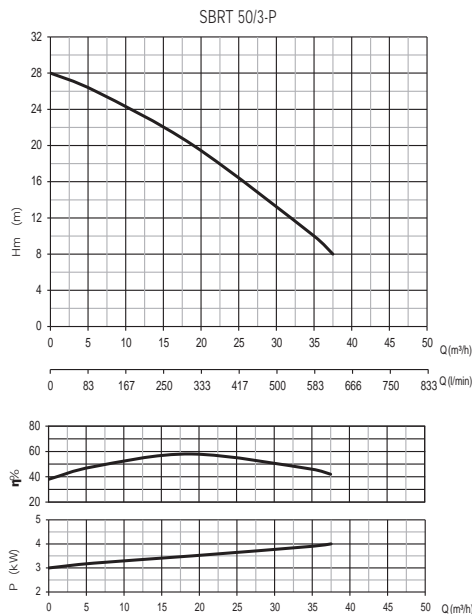
PUMP MATERIAL PROPERTIES

PUMP BODY	GG25 CAST IRON
IMPELLER	GG25 CAST IRON
SHAFT	AISI 304 INOX
FLOW RATE (max.)	47 m ³ /hour
TOTAL HEAD (max.)	34 m
LIQUID PUMPING TEMPERATURE	0-30 °C
PROTECTION CLASS	IP 68
INSULATION	Cl.F
CABLE LENGTH	10 m
BLADE	AISI- 420 INOX
SEAL	SIC / SIC
PUMP DURABILITY PRESSURE (Pmax)	8 bar

Type	Control Panel	Open Impeller	Closed Impeller	Blade	Stainless (AISI 304 INOX)	Cast Iron Impeller (GG25)	Noryl Impeller
SBRT50/3-P	✓	✓		✓		✓	
SBRT75/3-P	✓	✓		✓		✓	

TECHNICAL SPECIFICATIONS

TYPE	MOTOR							PUMP											
	KW	HP	V	Hz	A	RPM	Hm	OUTPUT	W mm	L mm	H mm	▽ m	KGm ³ /h	10	15	20	30	40	
SBRT50/3-P	4	5.5	380	50	9.5	2900	28	3"	315	435	605	7	78	nms	24	22	19	13	-
SBRT75/3-P	5.5	7.5	380	50	12	2900	33	3"	315	435	605	7	82		30	28	26	21	13



SMAC-1800 A



SMAC-2200 B



DEFINITION

These systems with a thermoplastic body are automatic operation (with floaters), self tank and do not create smell and moisture. The pump, which operates in a completely isolated thermoplastic cabin, is designed to collect the wastewater in the system to which it is connected and discharge the water to the main sewage due to the submersible pump with grinder blades.

USAGE AREAS

These systems ensure that septic and waste water occurring in areas lower than the main elevation of buildings is transferred to the city sewage. It is a septic submersible pump system suitable for use in drainage water pits, gas stations, car wash services, in closed garages, in storing waste water in boats and marinas, in boiler and engine rooms, in public institutions, schools, universities, campuses, hospitals, in municipalities, public housing, factories, hotels, construction sites, holiday resorts, personnel accommodation containers, market warehouses, retrofitted toilets, sinks, showers and dining halls.

PUMP MATERIAL PROPERTIES

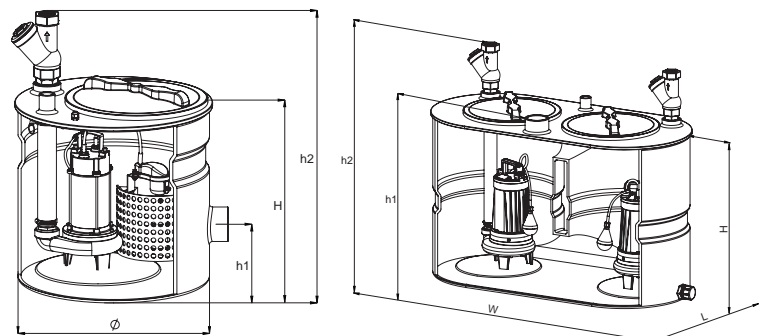
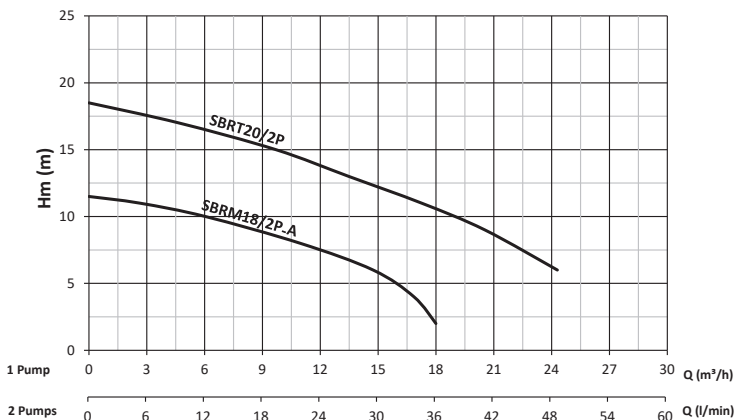
SYSTEM BODY	THERMOPLASTIC
PUMP BODY	GG25 CAST IRON
IMPELLER	GG25 CAST IRON
SHAFT	AISI 304 INOX
FLOW RATE (max.)	50 m ³ /hour
TOTAL HEAD (max.)	18 m
LIQUID PUMPING TEMPERATURE	0-30°C
PROTECTION CLASS	IP 68
INSULATION	Cl.F
SEAL	SIC / SIC

TECHNICAL SPECIFICATIONS

TYPE	Volume Lt	Pump	V	mss	m ³ /h	Volume Dimensions			Input h1	Output h2	Input Ø	Output Ø	KG
* SMAC-1800 A	150	SBRM18/2PA	220	6 9	15 9	540	650	180	840	110	50	38	
* SMAC-2200 A	200	SBRT20/2 P	380	6 9	24 18	540	850	625	1038	110	50	60	

TYPE	Volume Lt	Pump	V	mss	m ³ /h	Volume Dimensions			Input h1	Output h2	Input Ø	Output Ø	KG
* SMAC-2200 B	500	2x SBRT20/2 P	380	6 9	48 36	1280	540	850	845	1038	110	2x50	132

* These septic submersible pumps with thermoplastic tanks can manufacture with different dimensions and types.



SDF6A



SDF13A



SDF18/2Y-A



DEFINITION

Pump bodies can be different depending on the pump models as techno polymer and stainless steel. These are easily portable and easy to install pumps with elevator floater.

It is designed for use in the drainage of few dirty water.

This type of pumps are suitable for automatic operation in narrow places due to the elevator float.

SDF6A and SDF13A models have internal thermal protection and automatic reset.

The fact that the SDF18/2Y-A model has a suction filter provides an advantage against clogging risks.

It has a long term and provides quiet operation with oil cooled engine design.

These pumps are manufactured at frequencies of 50 Hz and 60 Hz.

USAGE AREAS

These pumps are used in residential areas, industrial facilities, to discharge rain water, waterfalls, basements, ornamental pools, narrow drainage and elevator pits, and to discharge standing water and water containing max. 6 mm particles.

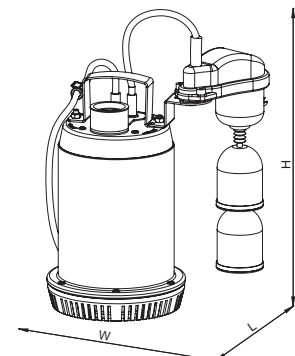
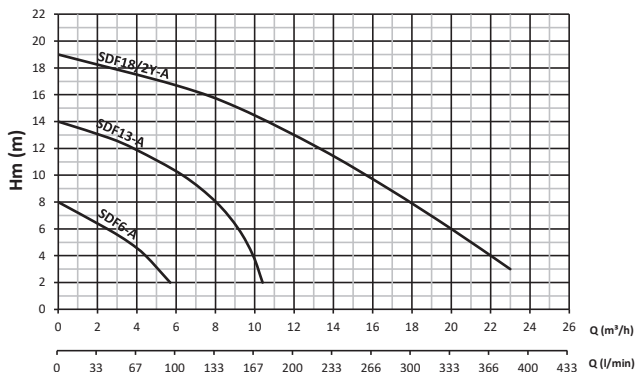
PUMP MATERIAL PROPERTIES

PUMP BODY	INOX (SDF6A - SDF18/2Y-A) PPH(SDF13A)
IMPELLER	NORYL(SDF6A-SDF13A) GG25 CAST IRON(SDF18/2Y-A)
SHAFT	AISI 304 INOX
FLOW RATE (max.)	23 m ³ /hour
TOTAL HEAD (max.)	19 m
LIQUID PUMPING TEMPERATURE	0-30°C
PROTECTION CLASS	IP 68
INSULATION	Cl.F
CABLE LENGTH	10 m
SEAL	SIC / SIC
PUMP DURABILITY PRESSURE (Pmax)	4 bar

Type	Control Panel	Open Impeller	Closed Impeller	Blade	Stainless (AISI 304 INOX)	Cast Iron Impeller (GG25)	Noryl Impeller	Thermic Protection
SDF6A		✓					✓	✓
SDF13A		✓					✓	✓
SDF18/2Y-A	✓	✓				✓		

TECHNICAL SPECIFICATIONS

MOTOR											PUMP											
TYPE	KW	HP	V	Hz	A	RPM	CAPACITOR		Hm	OUTPUT	W	L	H	▽	KG	m ³ /h	1	2	3	4	5	
							uf	Vc			mm	mm	mm	m		mss						
SDF6A	0.37	0.5	220	50	2.2	2900	10	450	8	1 ^{1/4}	290	170	365	7	6.5	mss	7	6	5	4	3	
SDF13A	1	220	1.3	50	4.4	2900	25	450	14	1 ^{1/4}	270	185	390	7	13.5	mss	13.5	12.5	11	9	4	
SDF18/2Y-A	1.35	1.8	220	50	6.5	2900	30	450	19	2"	335	215	460	7	23	mss	18	16	13	10	6	



SDF18/2-A



DEFINITION

These pumps with stainless steel body, cast iron impeller and elevator floater are easy to portable and easy to install. It is designed for use in the drainage of dirty and septic water.

This type of pumps are suitable for automatic operation in narrow places due to the elevator float.

It has a long term and provides quiet operation due to oil cooled engine design.

These pumps are manufactured at frequencies of 50 Hz and 60 Hz.

USAGE AREAS

These pumps are used in residential areas, industrial facilities, to discharge rain water, waterfalls, basements, ornamental pools, narrow drainage and elevator pits, and to discharge standing water and water containing max. 20 mm particles.

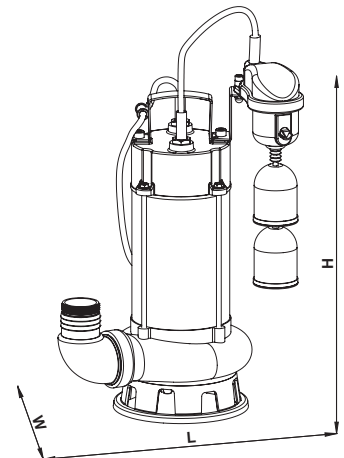
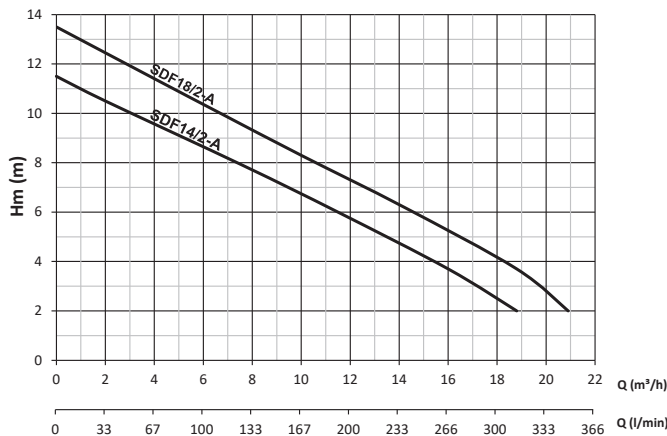
PUMP MATERIAL PROPERTIES

PUMP BODY	AISI 304 INOX
IMPELLER	GG25 CAST IRON
SHAFT	AISI 304 INOX
FLOW RATE (max.)	21 m ³ /hour
TOTAL HEAD (max.)	13.5 m
LIQUID PUMPING TEMPERATURE	0-30°C
PROTECTION CLASS	IP 68
INSULATION	Cl.F
CABLE LENGTH	10 m
SEAL	SIC / SIC
PUMP DURABILITY PRESSURE (Pmax)	4 bar

Type	Control Panel	Open Impeller	Closed Impeller	Blade	Stainless (AISI 304 INOX)	Cast Iron Impeller (GG25)	Noryl Impeller
SDF14/2-A	✓	✓				✓	
SDF18/2-A	✓	✓				✓	

TECHNICAL SPECIFICATIONS

TYPE	MOTOR								PUMP												
	KW	HP	V	Hz	A	RPM	CAPACITOR uf	Vc	Hm	OUTPUT	W mm	L mm	H mm	▽ m	KG m ³ /h	2	6	10	16	20	
SDF14/2-A	1.1	1.5	220	50	5.5	2900	25	450	11.5	2"	175	340	460	7	19.5	ms	10.5	8.5	7	4	-
SDF18/2-A	1.35	1.8	220	50	6	2900	30	450	13.5	2"	175	340	460	7	20.5		12.5	10.5	8	5	3



SDF5/2



SDF15/1



DEFINITION

These pumps are automatically operated (with floaters), easily portable high altitude pumps.

It is designed for use in clean water drainage.

SDF5/2 model has a techno polymer body, internal thermal protection and automatic reset.

SDF15/1 model has a stainless body. It has a long term and provides quiet operation due to oil cooled engine design.

Having a suction filter provides an advantage against clogging risks.

These pumps are manufactured at frequencies of 50 Hz and 60 Hz.

USAGE AREAS

These pumps are used in clean water supply, caisson wells, small diameter waterfalls for ornamental purposes and rainwater drainage.

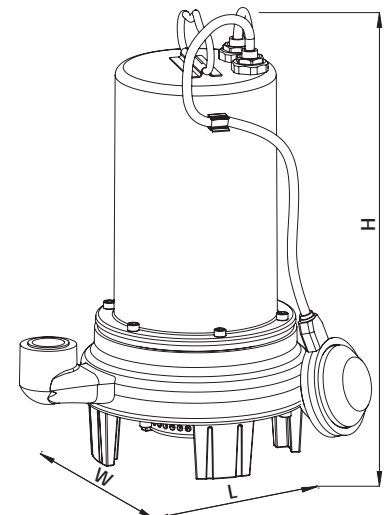
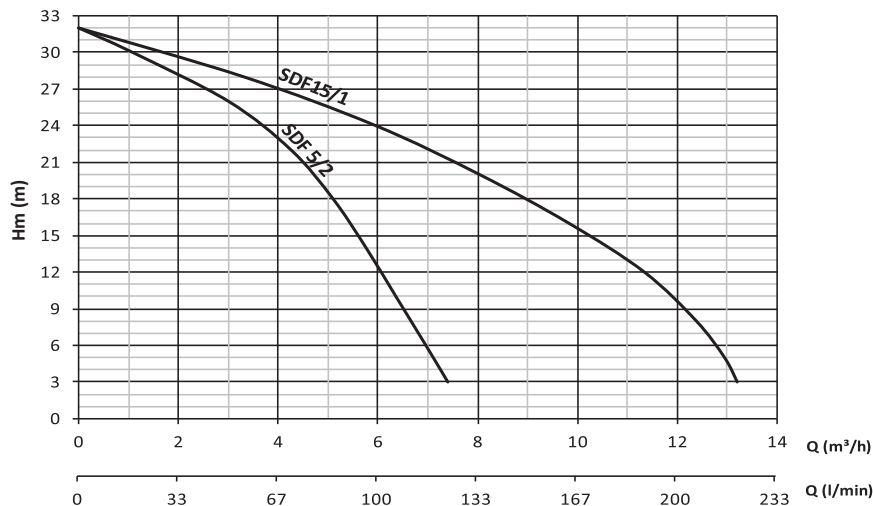
PUMP MATERIAL PROPERTIES

PUMP BODY	PPH (SDF5/2) INOX (SDF15/1)
IMPELLER	NORYL
SHAFT	AISI 304 INOX
FLOW RATE (max.)	13 m ³ /hour
TOTAL HEAD (max.)	32 m
LIQUID PUMPING TEMPERATURE	0-30°C
PROTECTION CLASS	IP 68
INSULATION	C.I.F
CABLE LENGTH	10 m
SEAL	SIC / SIC
PUMP DURABILITY PRESSURE (Pmax)	6 bar

Type	Control Panel	Open Impeller	Closed Impeller	Blade	Stainless (AISI 304 INOX)	Cast Iron Impeller (GG25)	Noryl Impeller	Thermic Protection
SDF5/2			✓				✓	✓
SDF15/1	✓		✓				✓	

TECHNICAL SPECIFICATIONS

MOTOR								PUMP												
TYPE	KW	HP	V	Hz	A	RPM	CAPACITOR uf Vc	Hm	OUTPUT	W mm	L mm	H mm	▽ m	KGm ³ /h	1	3	5	7	10	
SDF5/2	0.75	1	220	50	4.2	2900	25 450	32	1 ^{1/4}	135	185	248	17	13.5	mss	30	25	18	6	-
SDF15/1	1.1	1.5	220	50	6.8	2900	25 450	32	1"	200	280	326	7	21.5		31	28	25	22	15



SDF12/3



DEFINITION

These pumps are automatically operated (with floaters), easily portable high altitude pumps.

It is designed for use in clean water drainage.

It has a long term and provides quiet operation due to oil cooled engine design.

Having a suction filter provides an advantage against clogging risks.

These pumps are manufactured at frequencies of 50 Hz and 60 Hz.

USAGE AREAS

These pumps are used in residential areas, industrial facilities, caisson wells, clean water supply, rain water discharge, vehicle washing stations, basement water and elevator shafts, waterfalls, basements and ornamental pools.

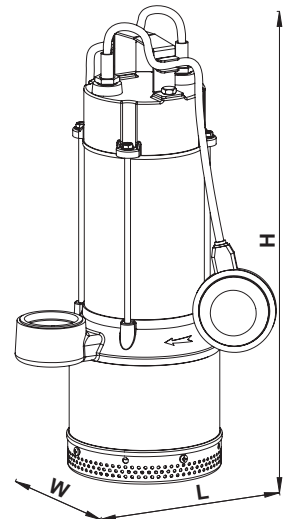
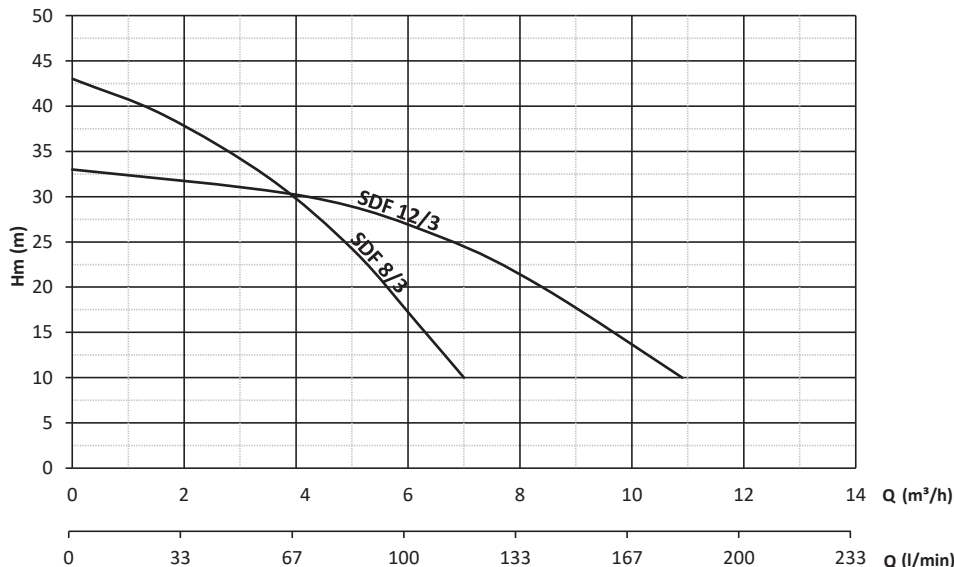
PUMP MATERIAL PROPERTIES

PUMP BODY	AISI 304 INOX
IMPELLER	NORYL
SHAFT	AISI 304 INOX
FLOW RATE (max.)	11 m ³ /hour
TOTAL HEAD (max.)	43 m
LIQUID PUMPING TEMPERATURE	0-30°C
PROTECTION CLASS	IP 68
INSULATION	C.I.F
CABLE LENGTH	10 m
SEAL	CERAMIC / CARBON
PUMP DURABILITY PRESSURE (Pmax)	6 bar

Type	Control Panel	Open Impeller	Closed Impeller	Blade	Stainless (AISI 304 INOX)	Cast Iron Impeller (GG25)	Noryl Impeller
SDF8/3	✓		✓				✓
SDF12/3	✓		✓				✓

TECHNICAL SPECIFICATIONS

MOTOR										PUMP										
TYPE	KW	HP	V	Hz	A	d/d	CAPACITOR uf Vc	Hm	OUTPUT	W mm	L mm	H mm	▽ m	KG	m ³ /h	2	4	6	8	10
SDF8/3	1.35	1.8	220	50	6.8	2900	30 450	43	2"	170	240	470	17	21.5	mss	38	30	17	-	-
SDF12/3	1.35	1.8	220	50	6.8	2900	30 450	33	2"	170	240	470	17	21.5		32	30	27	21	14



SDF25/2



SDT25/2



DEFINITION

These pumps with cast iron body and cast iron impeller are easy to install and high altitude pumps.

It is designed for use in clean water drainage.

Having a suction filter provides an advantage against clogging risks.

These pumps are manufactured at frequencies of 50 Hz and 60 Hz.

USAGE AREAS

These pumps are used in residential areas, industrial facilities, clean water supply, rainwater drainage, car washing stations, basement water and elevator pits, waterfalls, basements and ornamental pools.

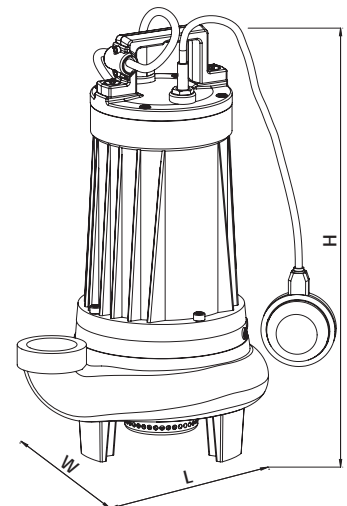
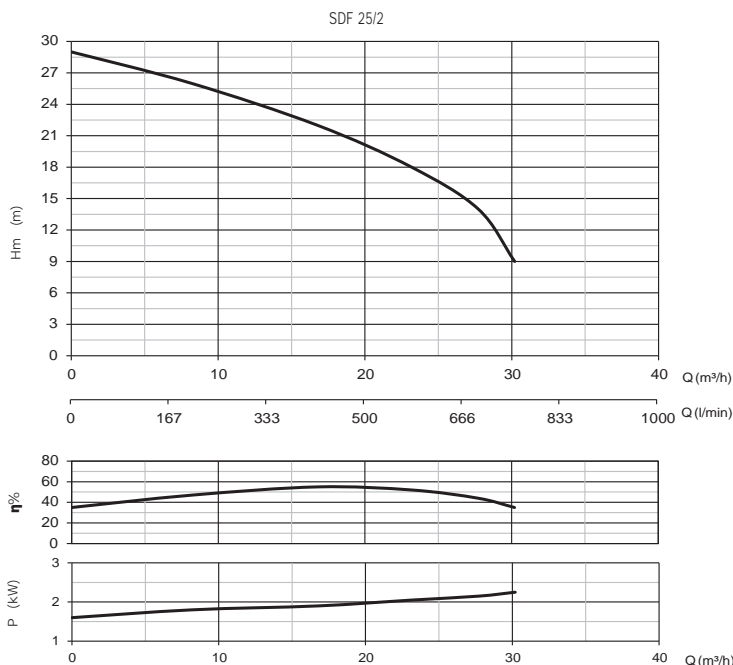
PUMP MATERIAL PROPERTIES

PUMP BODY	GG25 CAST IRON
IMPELLER	GG25 CAST IRON
SHAFT	AISI 304 INOX
FLOW RATE (max.)	30 m ³ /hour
TOTAL HEAD (max.)	29 m
LIQUID PUMPING TEMPERATURE	0-30 °C
PROTECTION CLASS	IP 68
INSULATION	Cl.F
CABLE LENGTH	10 m
SEAL	SIC / SIC
PUMP DURABILITY PRESSURE (Pmax)	6 bar

Type	Control Panel	Open Impeller	Closed Impeller	Blade	Stainless (AISI 304 INOX)	Cast Iron Impeller (GG25)	Noryl Impeller
SDF25/2	✓		✓			✓	
SDT25/2	✓		✓			✓	

TECHNICAL SPECIFICATIONS

MOTOR											PUMP									
TYPE	KW	HP	V	Hz	A	RPM	CAPACITOR uf	Vc	Hm	OUTPUT	W mm	L mm	H mm	▽ m	KGm ³ /h	6	12	18	24	
SDF25/2	2.2	3	220	50	13.5	2900	50	450	29	2"	240	309	500	7	44.5	mss	27	24	21	17
SDT25/2	2.2	3	380	50	4.8	2900	-	-	29	2"	240	309	500	7	43.5		27	24	21	17



Bronze Impeller
Bronze Pump
Body

4SDM100



DEFINITION

These pumps with stainless steel body are easily portable and high altitude pumps.

4SDM100 model has bronze impeller.

Having a suction filter provides an advantage against clogging risks.

It has a long term and provides quiet operation due to oil cooled engine design.

These pumps are manufactured at frequencies of 50 Hz and 60 Hz.

USAGE AREAS

These pumps are used for the supply of high pressure clean water in residential areas and industrial facilities, in places such as 4" boreholes and wells, and for booster purposes in villas and summer houses.

PUMP MATERIAL PROPERTIES

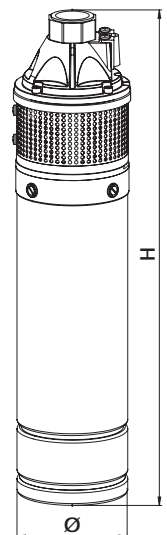
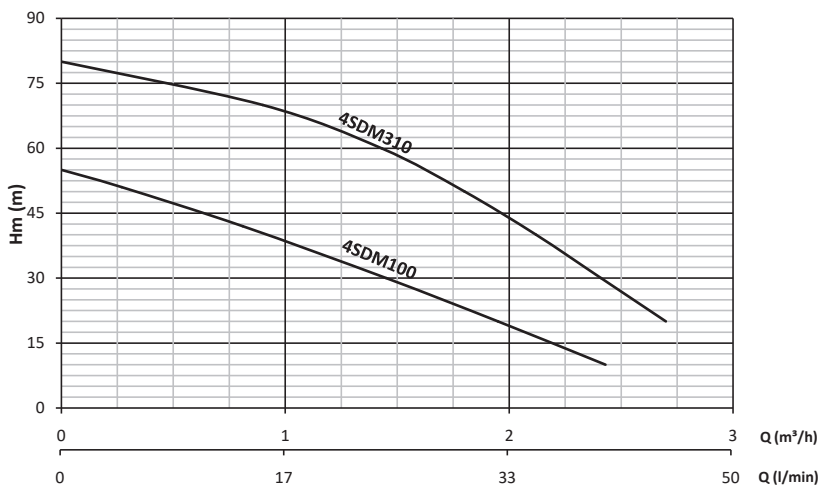
PUMP BODY	AISI 304 INOX
IMPELLER	BRONZE (4SDM100) - POLYCARBONATE (4SDM310)
SHAFT	AISI 304 INOX
FLOW RATE (max.)	3 m ³ /hour
TOTAL HEAD (max.)	80 m
LIQUID PUMPING TEMPERATURE	0-30 °C
PROTECTION CLASS	IP 68
INSULATION	Cl.F
CABLE LENGTH	15 m
SEAL	CERAMIC / CARBON
PUMP DURABILITY PRESSURE (Pmax)	12 bar

4SDM310



TECHNICAL SPECIFICATIONS

MOTOR										PUMP									
TYPE	KW	HP	V	Hz	A	RPM	CAPACITOR		Hm	OUTPUT	Ø	H	▽	KG	m ³ /h	0.5	1	1.5	2
							uf	Vc			mm	mm	m		mss				
4SDM100	0.75	1	220	50	5.8	2900	25	450	55	1"	97	465	27	13.5	46	38	28	17	
4SDM310	0.75	1	220	50	5.2	2900	25	450	80	1 1/4"	97	836	27	16.5	74	69	58	43	



5SDF7



DEFINITION

These pumps with stainless steel body are multistage, easily to portable, high altitude, automatically operating (with floater) pumps.

It is designed for use in clean water supply.

Having a suction filter provides an advantage against clogging risks.

It has a long term and provides quiet operation due to oil cooled engine design.

These pumps are manufactured at frequencies of 50 Hz and 60 Hz.

USAGE AREAS

These pumps are used for the supply of pressurized clean water in residential areas and industrial facilities, in places such as 5" boreholes and wells, pool systems with fountain, lawn irrigation systems, and for booster purposes in villas and summer houses.

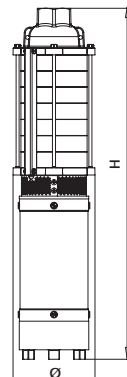
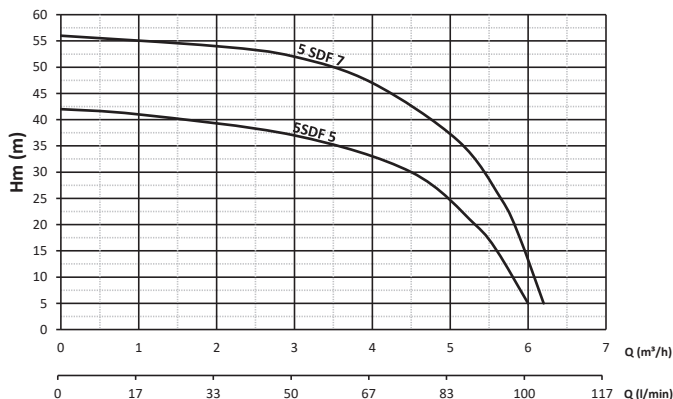
PUMP MATERIAL PROPERTIES

PUMP BODY	AISI 304 INOX
IMPELLER	NORYL
SHAFT	AISI 420
FLOW RATE (max.)	6 m ³ /hour
TOTAL HEAD (max.)	56 m
LIQUID PUMPING TEMPERATURE	0-30 °C
PROTECTION CLASS	IP 68
INSULATION	Cl.F
CABLE LENGTH	15 m
SEAL	CERAMIC / CARBON
PUMP DURABILITY PRESSURE (Pmax)	9 bar

Type	Control Panel	Open Impeller	Closed Impeller	Blade	Stainless (AISI 304 INOX)	Cast Iron Impeller (GG25)	Noryl Impeller
5SDF5	✓		✓				✓
5SDF7	✓		✓				✓
5SDT5	✓		✓				✓
5SDT7	✓		✓				✓

TECHNICAL SPECIFICATIONS

TYPE	MOTOR										PUMP											
	KW	HP	V		Hz		A		RPM	CAPACITOR		Hm	OUTPUT	Ø	H	▽	KG	m ³ /h				
			MONO	TRI	MONO	TRI	MONO	TRI		uf	Vc			mm	mm	m		1	2	3	4	5.5
5SD5	0.75	1	220		50	5.3	-	2900	25	450	42	1 ^{1/4}	150	575	27	24	mss	41	40	37	33	17
5SDF5	0.75	1	220	-	50	5.3	-	2900	25	450	42	1 ^{1/4}	150	575	27	24.5		41	40	37	33	17
5SDT5	0.75	1	-	380	50	-	2.6	2900	-	-	42	1 ^{1/4}	150	575	27	26.5		41	40	37	33	17
5SD7	1.1	1.5	220		50	6.3	-	2900	30	450	57	1 ^{1/4}	150	635	27	25.5		55	54	52	47	30
5SDF7	1.1	1.5	220	-	50	6.3	-	2900	30	450	57	1 ^{1/4}	150	635	27	26		55	54	52	47	30
5SDT7	1.1	1.5	-	380	50	-	2.8	2900	-	-	57	1 ^{1/4}	150	635	27	27.5		55	54	52	47	30



5SDF9



DEFINITION

These pumps with stainless steel body are multistage, easily to portable, high altitude, automatically operating (with floater) pumps.

It is designed for use in clean water supply.

Having a suction filter provides an advantage against clogging risks.

It has a long term and provides quiet operation due to oil cooled engine design.

These pumps are manufactured at frequencies of 50 Hz and 60 Hz.

USAGE AREAS

These pumps are used for the supply of pressurized clean water in residential areas and industrial facilities, in places such as 5" boreholes and wells, pool systems with fountain, lawn irrigation systems, and for booster purposes in villas and summer houses.

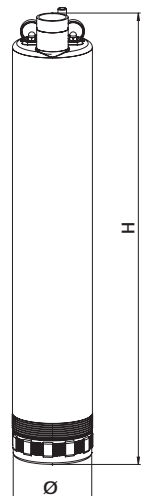
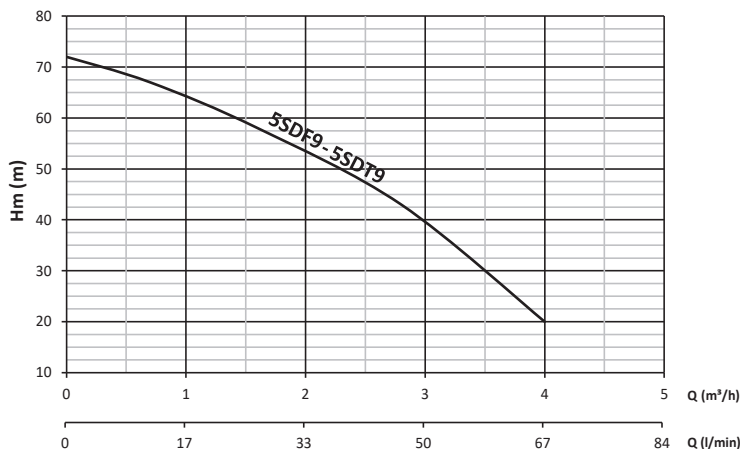
PUMP MATERIAL PROPERTIES

PUMP BODY	AISI 304 INOX
IMPELLER	NORYL
SHAFT	AISI 304 INOX
FLOW RATE (max.)	4 m ³ /hour
TOTAL HEAD (max.)	72 m
LIQUID PUMPING TEMPERATURE	0-30°C
PROTECTION CLASS	IP 68
INSULATION	Cl.F
CABLE LENGTH	15 m
SEAL	CERAMIC / CARBON
PUMP DURABILITY PRESSURE (Pmax)	10 bar

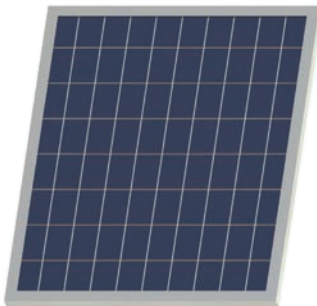
Type	Control Panel	Open Impeller	Closed Impeller	Blade	Stainless (AISI 304 INOX)	Cast Iron (GG25)	Noryl Impeller
5SDF9	✓		✓				✓
5SDT9	✓		✓				✓

TECHNICAL SPECIFICATIONS

MOTOR										PUMP										
TYPE	KW	HP	V	Hz	A	RPM	CAPACITOR		Hm	OUTPUT	Ø	H	▽	KG	m ³ /h					
							uf	Vc			mm	mm	m		1	2	3	4	4.5	
5SD9	1.1	1.5	220	50	8.3	2900	30	450	74	1 ^{1/4}	114	645	27	18	mss	63	53	39	20	-
5SDF9	1.1	1.5	220	50	8.3	2900	30	450	74	1 ^{1/4}	114	645	27	18.5		63	53	39	20	-
5SDT9	1.1	1.5	380	50	2.7	2900	-	-	74	1 ^{1/4}	114	645	27	20.5		63	53	39	20	-



4SDM100 SLR



DEFINITION

These systems are designed the needs of all kinds of water that operate submersible pumps by converting DC energy obtained from solar panels to 220 V AC energy by storing them in gel batteries using inverter.

USAGE AREAS

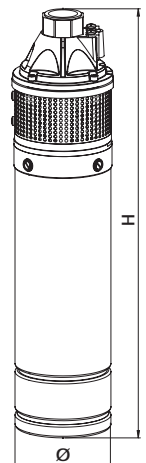
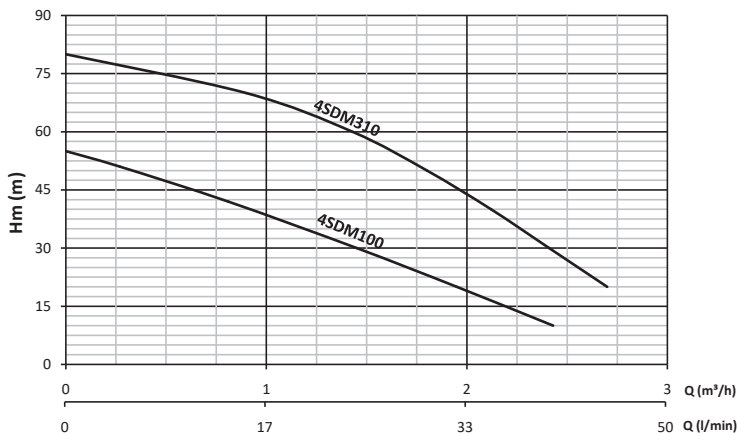
These pumps are used in places such as farms, spring houses at residential areas and industrial facilities in rural areas, far from power lines or without electrical power to supply the need for clean water in areas such as drinking water, agricultural irrigation, crop irrigation, fields, gardens and wells.

PUMP MATERIAL PROPERTIES

PUMP BODY	AISI 304 INOX
IMPELLER	BRONZE (4SDM100) - POLYCARBONATE (4SDM310)
SHAFT	AISI 304 INOX
FLOW RATE (max.)	3 m ³ /hour
TOTAL HEAD (max.)	80 m
LIQUID PUMPING TEMPERATURE	0 - 30 °C
PROTECTION CLASS	IP 68
INSULATION	CI.F
CABLE LENGTH	30 m
SEAL	CERAMIC / CARBON
PUMP DURABILITY PRESSURE (Pmax)	12 bar

TECHNICAL SPECIFICATIONS

TYPE	Panel	Battery	Inverter	Pump KW	H max	Q max	Output	KG
4SDM100 SLR	Polycristal 260 Watt 1660x990 mm 4x18.5 Kg	12 V 20 A Jel Battery 4x7 Kg	Input 24 V DC Output 220 V 1-1500 Watt 5 Kg	0.75	55 mss	2.5 m ³ /h	1"	13
	4 Pcs Panel	4 Pcs Battery	1 Pcs Inverter	1 Pcs 4SDM100 SLR Pump				
4SDM310 SLR	Polycristal 260 Watt 1660x990 mm 4x18.5 Kg	12 V 20 A Jel Battery 4x7 Kg	Input 24 V DC Output 220 V 1-1500 Watt 5 Kg	0.75	80 mss	3 m ³ /h	1 1/4"	16
	4 Pcs Panel	4 Pcs Battery	1 Pcs Inverter	1 Pcs 4SDM310 SLR Pump				



4SMT30



DEFINITION

4' deep well submersible pump motors with stainless body. It can be winding again.

It has a long term and provides quiet operation due to oil cooled engine design.

These pumps are manufactured at frequencies of 50 Hz and 60 Hz.

USAGE AREAS

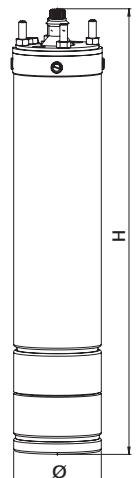
These motors are used to supply pressurized water in streams, 4" boreholes, and pool systems with fountain when coupled to submersible pumps.

PUMP MATERIAL PROPERTIES

PUMP BODY	AISI 304 INOX
SHAFT	AISI 304 INOX
LIQUID PUMPING TEMPERATURE	0-30°C
PROTECTION CLASS	IP 68
INSULATION	Cl.F
SEAL	CERAMIC / CARBON

TECHNICAL SPECIFICATIONS

MOTOR													
TYPE	KW	HP	V		Hz	A		RPM	CAPACITOR		Ø mm	H mm	KG
			SINGLE	THREE		SINGLE	THREE		uf	Vc			
4SM10 - 4SMT10	0.75	1	220	380	50	5.4	2.4	2900	25	450	95	430	9.5
4SM15 - 4SMT15	1.1	1.5	220	380	50	8.3	3.3	2900	35	450	95	430	11.5
4SM20 - 4SMT20	1.5	2	220	380	50	10.5	4.5	2900	45	450	95	460	12
4SMT30	2.2	3	-	380	50	-	5.8	2900	-	-	95	540	15



4SD337

2. m²
Pump Body



DEFINITION

These pumps with stainless steel body are multistage and high altitude pumps. It is designed for use in clean water supply. Having a suction filter provides an advantage against clogging risks. These pumps are manufactured at frequencies of 50 Hz and 60 Hz.

USAGE AREAS

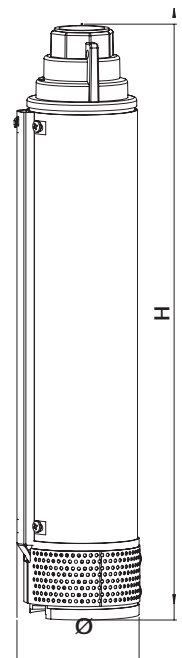
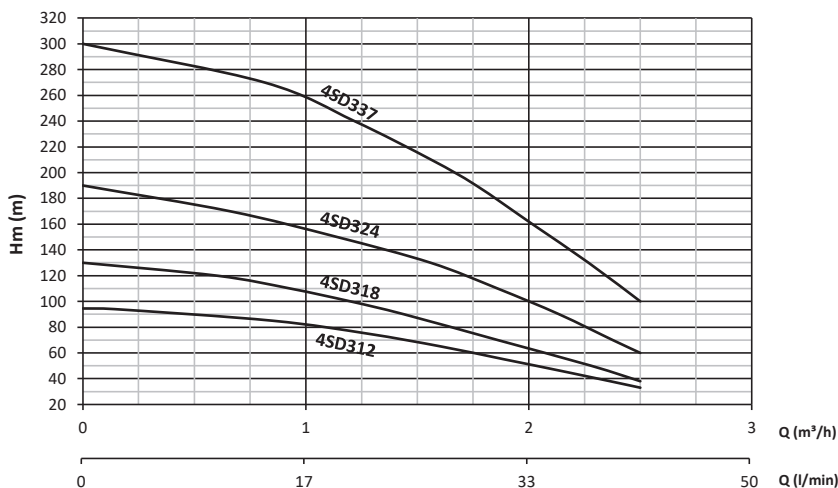
These pumps are used to supply high pressure water in deep wells and borehole, pool systems with fountain, car washes and gas stations.

PUMP MATERIAL PROPERTIES

PUMP BODY	AISI 304 INOX
IMPELLER	POLYCARBONATE
SHAFT	AISI 304 INOX
FLOW RATE (max.)	3 m ³ /hour
TOTAL HEAD (max.)	300 m
LIQUID PUMPING TEMPERATURE	0-30°C
PUMP DURABILITY PRESSURE (Pmax)	30 bar

TECHNICAL SPECIFICATIONS

MOTOR				PUMP										
TYPE	KW	HP	Hm	NUMBER OF STAGE	OUTPUT	Ø mm	H mm	KG	m ³ /h	0.5	1	1.5	2	2.5
4SD312	0.75	1	95	12	1 ^{1/4}	95	450	4.5	mss	85	80	70	50	25
4SD318	1.1	1.5	130	18	1 ^{1/4}	95	580	6		120	110	90	65	40
4SD324	1.5	2	190	24	1 ^{1/4}	95	742	7.5		175	155	130	100	60
4SD337	2.2	3	300	37	1 ^{1/4}	95	1030	10.5		280	260	210	160	100



4SD624

2. m²
Pump Body



DEFINITION

These pumps with stainless steel body are multistage and high altitude pumps. It is designed for use in clean water supply. Having a suction filter provides an advantage against clogging risks. These pumps are manufactured at frequencies of 50 Hz and 60 Hz.

USAGE AREAS

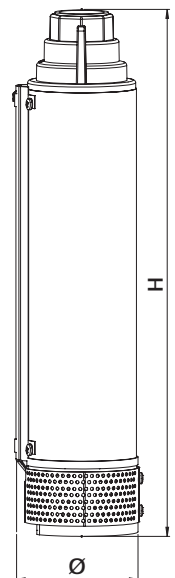
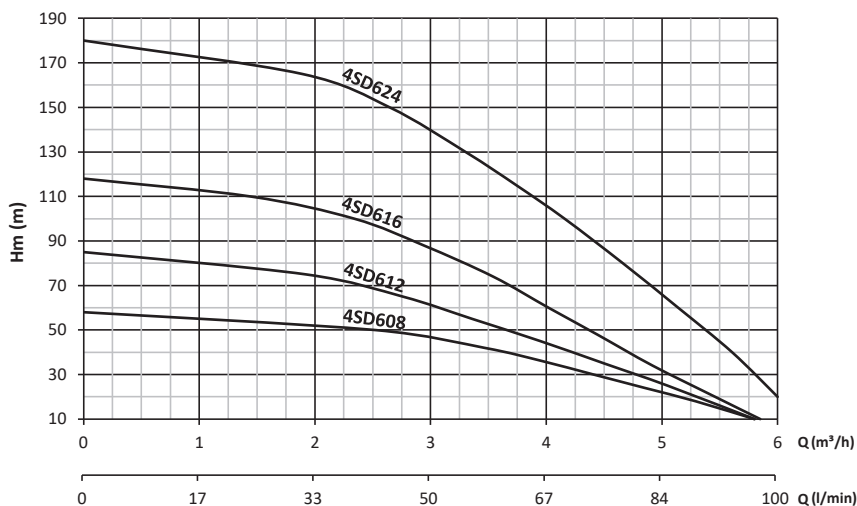
These pumps are used to supply high pressure water in deep wells and borehole, pool systems with fountain, car washes and gas stations.

PUMP MATERIAL PROPERTIES

PUMP BODY	AISI 304 INOX
IMPELLER	POLYCARBONATE
SHAFT	AISI 304 INOX
FLOW RATE (max.)	6 m³/hour
TOTAL HEAD (max.)	180 m
LIQUID PUMPING TEMPERATURE	0-30°C
PUMP DURABILITY PRESSURE (Pmax)	20 bar

TECHNICAL SPECIFICATIONS

MOTOR				PUMP										
TYPE	KW	HP	Hm	NUMBER OF STAGE	OUTPUT	Ø mm	H mm	KG	m³/h	1	2	3	4	5
4SD608	0.75	1	58	8	1 ^{1/4}	95	407	4	mss	55	51	47	33	15
4SD612	1.1	1.5	85	12	1 ^{1/4}	95	522	5		80	75	60	45	18
4SD616	1.5	2	118	16	1 ^{1/4}	95	637	6.5		115	105	85	60	31
4SD624	2.2	3	180	24	1 ^{1/4}	95	897	8.5		172	165	140	105	65



4SD1214

2.1mm
Pump Body



DEFINITION

These pumps with stainless steel body are multistage and high altitude pumps. It is designed for use in clean water supply.

Having a suction filter provides an advantage against clogging risks.

These pumps are manufactured at frequencies of 50 Hz and 60 Hz.

USAGE AREAS

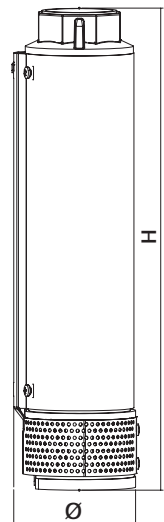
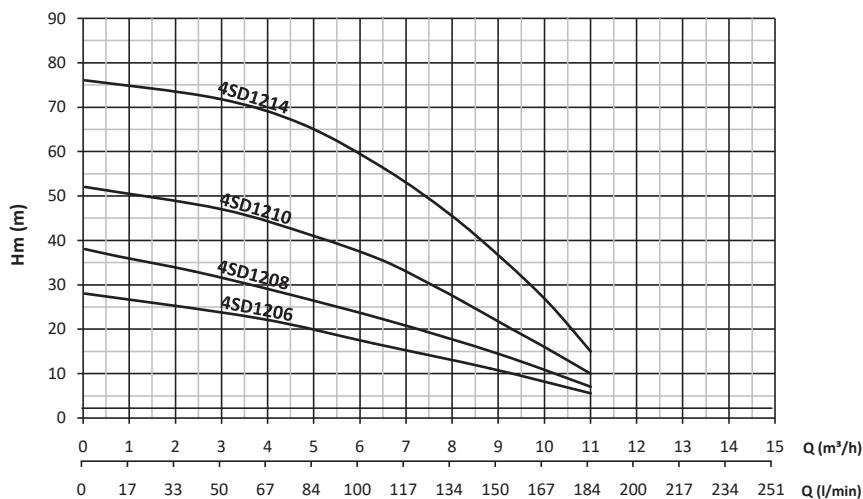
These pumps are used to supply high pressure water in deep wells and borehole, pool systems with fountain, car washes and gas stations.

PUMP MATERIAL PROPERTIES

PUMP BODY	AISI 304 INOX
IMPELLER	POLYCARBONATE
SHAFT	AISI 304 INOX
FLOW RATE (max.)	11.5 m ³ /hour
TOTAL HEAD (max.)	76 m
LIQUID PUMPING TEMPERATURE	0-30°C
PUMP DURABILITY PRESSURE (Pmax)	10 bar

TECHNICAL SPECIFICATIONS

MOTOR				PUMP													
TYPE	KW	HP	Hm	NUMBER OF STAGE	OUTPUT	Ø mm	H mm	KG	m ³ /h	1	2	3	4	5	7	9	11
4SD1206	0.75	1	28	6	2"	95	316	4	mss	27	25	24	22	20	15	10	-
4SD1208	1.1	1.5	38	8	2"	95	425	4.5		35	34	32	29	26	20	15	7
4SD1210	1.5	2	52	10	2"	95	485	5		51	48	46	44	41	33	22	11
4SD1214	2.2	3	76	14	2"	95	605	6		74	72	70	68	65	53	36	15



4SD1810

2 mm
Pump Body



DEFINITION

These pumps with stainless steel body are multistage and high altitude pumps. It is designed for use in clean water supply.

Having a suction filter provides an advantage against clogging risks.

These pumps are manufactured at frequencies of 50 Hz and 60 Hz.

USAGE AREAS

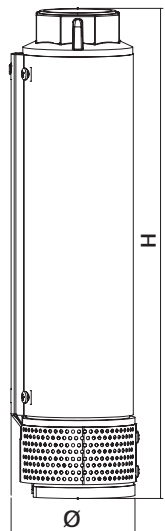
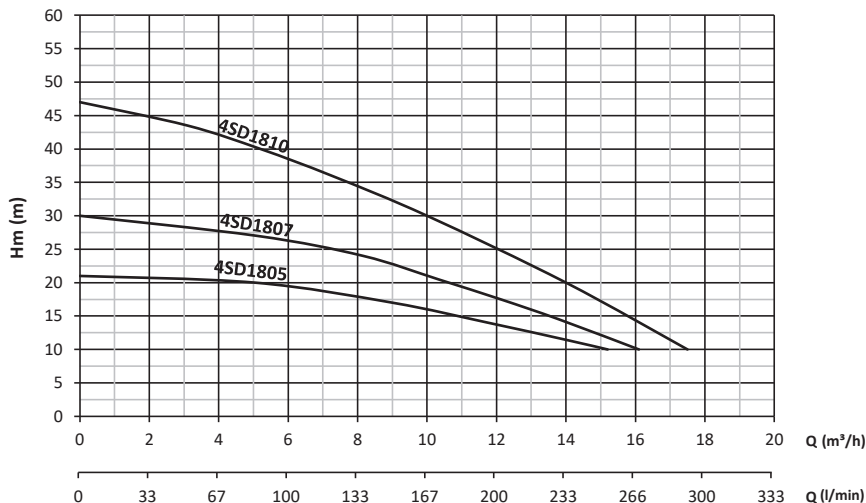
These pumps are used to supply high pressure water in deep wells and borehole, pool systems with fountain, car washes and gas stations.

PUMP MATERIAL PROPERTIES

PUMP BODY	AISI 304 INOX
IMPELLER	POLYCARBONATE
SHAFT	AISI 304 INOX
FLOW RATE (max.)	18 m ³ /hour
TOTAL HEAD (max.)	47 m
LIQUID PUMPING TEMPERATURE	0-30°C
PUMP DURABILITY PRESSURE (Pmax)	8 bar

TECHNICAL SPECIFICATIONS

MOTOR				PUMP													
TYPE	KW	HP	Hm	NUMBER OF STAGE	OUTPUT	Ø mm	H mm	KG	m ³ /h	2	4	6	8	10	12	14	16
4SD1805	1.1	1.5	21	5	2"	95	430	4.5	mss	21	20	19	18	16	13	11	-
4SD1807	1.5	2	30	7	2"	95	530	5		28	27	26	24	21	18	14	10
4SD1810	2.2	3	47	10	2"	95	680	6.5		45	42	38	34	30	25	20	14



SD1



DEFINITION

These pumps with aluminum body, electromagnetic vibration are practical and easy to use. No need maintenance. It is designed for use in clean water supply.

USAGE AREAS

These pumps are used in caisson wells, boreholes, clean water needs like streams and amateur garden irrigation.

PUMP MATERIAL PROPERTIES

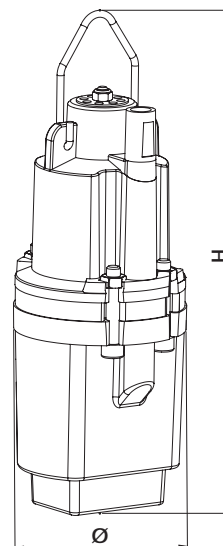
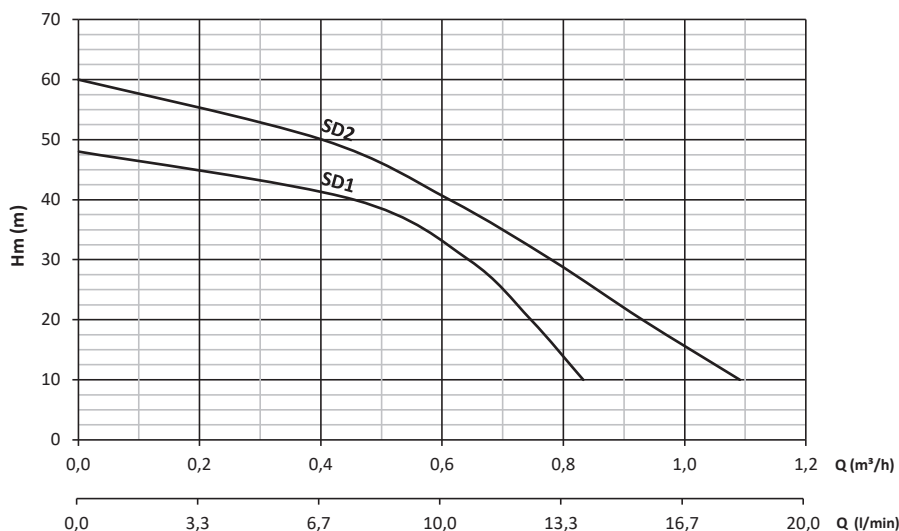
PUMP BODY	ALUMINIUM
SHAFT	AISI 420
FLOW RATE (max.)	1.1 m ³ /hour
TOTAL HEAD (max.)	60 m
LIQUID PUMPING TEMPERATURE	0-30°C
PROTECTION CLASS	IP 68
INSULATION	Cl.F
CABLE LENGTH	10 m - 20 m - 30 m - 40 m
PUMP DURABILITY PRESSURE (Pmax)	6 bar

TECHNICAL SPECIFICATIONS

SD2



MOTOR					PUMP																
TYPE	W	V	Hz	A	OUTPUT	Ø	H	KG	Hm	60	55	50	45	40	35	30	25	20	15	10	
						mm	mm														
SD1	250	220	50	3	1/2	97	290	4.5	48	-	-	-	300	520	600	650	690	720	790	850	
SD2	250	220	50	3.2	1/2	97	270	4.5	60	-	300	450	550	600	650	700	750	850	1000	1100	



SD3-SD4



DEFINITION

These pumps have aluminum body, electromagnetic vibration, practical and easy to use. No need maintenance. It is designed for use in clean water supply.

USAGE AREAS

These pumps are used in caisson wells, boreholes, clean water needs like streams and amateur garden irrigation.

PUMP MATERIAL PROPERTIES

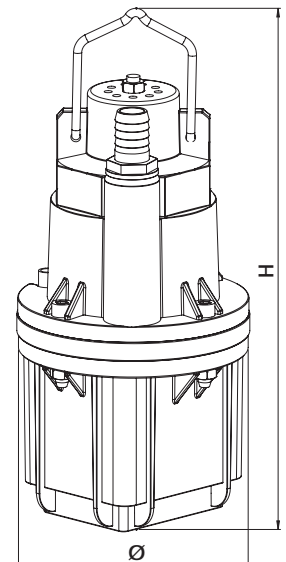
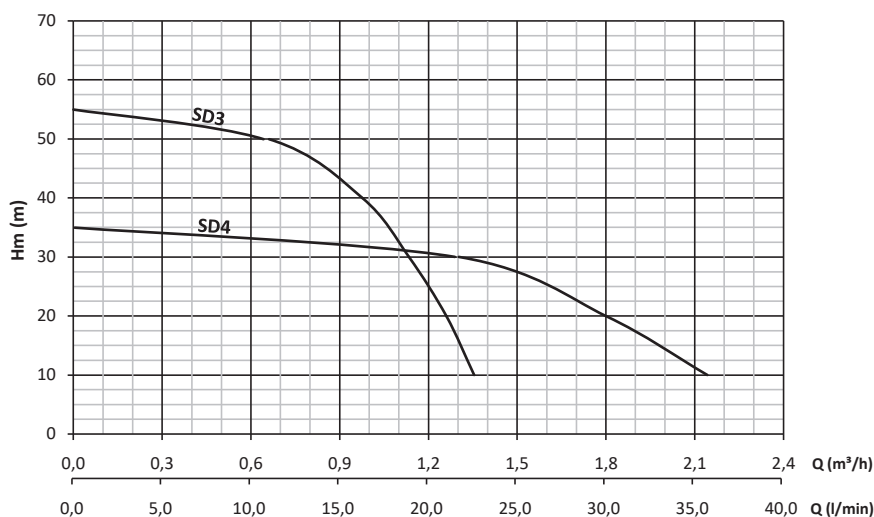
PUMP BODY	ALUMINIUM
SHAFT	AISI 420
FLOW RATE (max.)	2.2 m ³ /hour
TOTAL HEAD (max.)	55 m
LIQUID PUMPING TEMPERATURE	0-30°C
PROTECTION CLASS	IP 68
INSULATION	Cl.F
CABLE LENGTH	10 m - 20 m - 30 m - 40 m
PUMP DURABILITY PRESSURE (Pmax)	6 bar

SDF3-SDF4



TECHNICAL SPECIFICATIONS

MOTOR					PUMP															
TYPE	W	V	Hz	A	OUTPUT	Ø mm	H mm	KG	Hm	60	55	50	45	40	35	30	25	20	15	10
SD3 - SDF3	700	220	50	4.3	3/4	142	310	7	55	-	-	700	810	900	1000	1100	1150	1270	1300	1350
SD4 - SDF4	700	220	50	4.3	1"	142	310	7	35	-	-	-	-	-	1100	1400	1650	1850	1900	2200

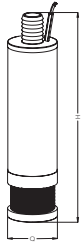


DEFINITION

These pumps are that operate manually or automatically (with floaters) depending on the model, have an easily removable bottom filter, easy to maintain and operate on 12 V DC electricity.

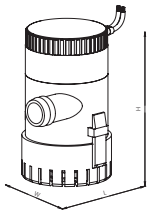
USAGE AREAS

These pumps are used to drain the water in especially in the maritime sector, water accumulated in the engine room at yachts and fishing boats, buildings and where there is no electric like basements, parking garages, picnic places.



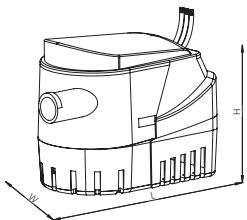
MANUEL MINI BILGE SUBMERSIBLE PUMP

TYPE	POWER W	VOLTAGE	A	RPM	CABLE	H max mss	Q max litre/h	OUTPUT mm	H mm	Ø mm	KG
SKLD12 G	18	12 V DC	1.5	12.000	3 m	3	720	16	208	52	0.50



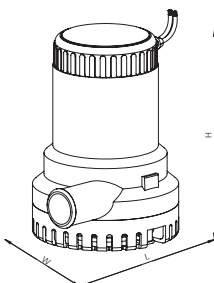
MANUEL BILGE SUBMERSIBLE PUMP

TYPE	POWER W	VOLTAGE	A	CABLE	H max mss	Q max litre/h	OUTPUT mm	W mm	L mm	H mm	KG
STN500 G	25	12 V DC	2.2	1 m	3	1500	19	72	83	108	0.50
STN1100 G	36	12 V DC	3	1 m	4	2500	29	72	83	108	0.50



BILGE SUBMERSIBLE PUMP WITH AUTOMATIC FLOATER

TYPE	POWER W	VOLTAGE	A	CABLE	H max mss	Q max litre/h	OUTPUT mm	W mm	L mm	H mm	KG
STNF750 G	36	12 V DC	3	1 m	4	1000	19	82	150	105	0.50



MANUEL BILGE SUBMERSIBLE PUMP

TYPE	POWER W	VOLTAGE	A	CABLE	H max mss	Q max litre/h	OUTPUT mm	W mm	L mm	H mm	KG
STN2000 G	96	12 V DC	8	1 m	6	4500	29	108	138	154	1.50

SMAC 600



DEFINITION

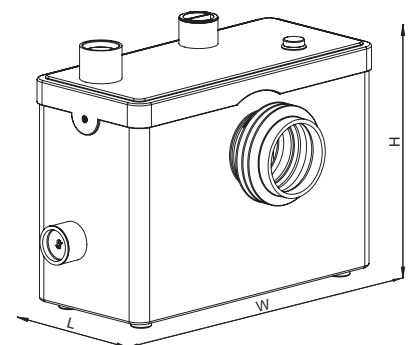
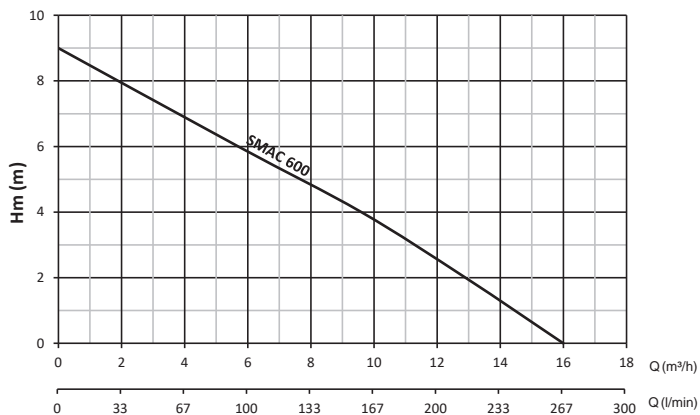
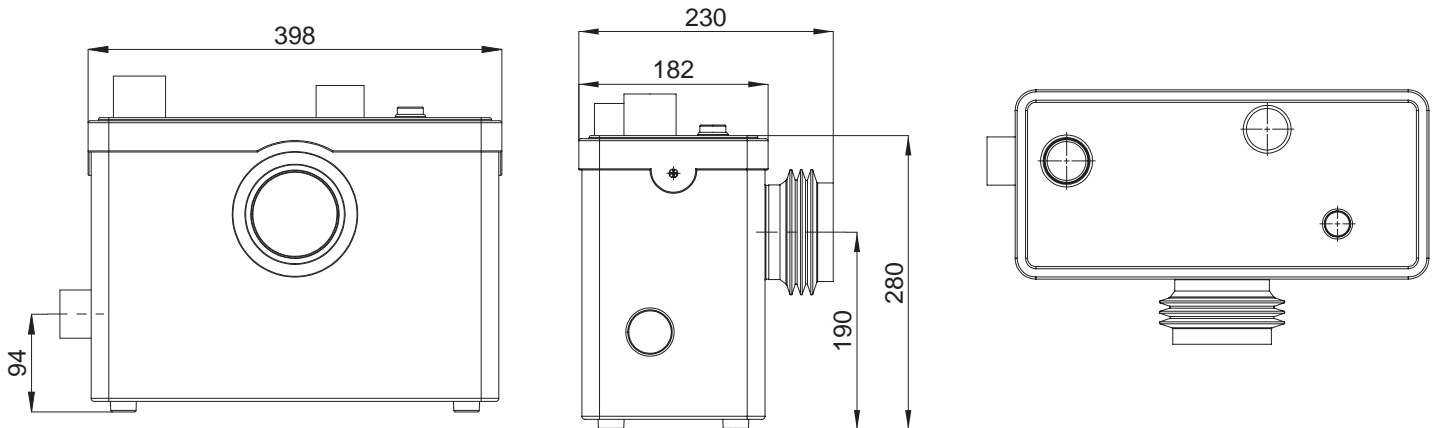
These pumps with teknopolymer body and grinder blades are odorless, easy to install and quiet operating pumps. It is designed to be used toilets, showers and sinks.

USAGE AREAS

These pumps are used to evacuate the drains in the kitchens, toilets and bathrooms of houses at lower elevations than the city sewage and septic pits.

TECHNICAL SPECIFICATIONS

TYPE	POWER W	VOLTAGE	A	CABLE	H max mss	Q max m³/h	OUTPUT mm	W mm	L mm	H mm	KG
SMAC 600	600	220 V	2.8	1 m	9	16	40mm	425	230	325	9





SM15

Bronze Impeller
Bronze Housing



DEFINITION

These pumps with cast iron body and bronze impeller are easy to portable, peripheral, high pressure and with a suction power of up to 6 meter pumps. It is designed for use in clean water supply.

Monophase model has internal thermal protection and automatic reset. It is easy and advantageous to use in places requiring high temperature and pressure due to the impeller and friction surface are bronze.

These pumps are manufactured at frequencies of 50 Hz and 60 Hz.

USAGE AREAS

These pumps are used to supply clean water in residential areas, industrial facilities, irrigation applications, places requiring high temperature and pressure such as ironing machines and steam boilers, heating-cooling systems, yacht and shipping industry, small gardens, villas and summer houses.

PUMP MATERIAL PROPERTIES

PUMP BODY	GG25 CAST IRON
IMPELLER	BRONZE
SHAFT	AISI 304 INOX
FLOW RATE	2.6 m ³ /hour
TOTAL HEAD	98 m
LIQUID PUMPING TEMPERATURE	0-45°C
PROTECTION CLASS	IP 54
INSULATION	CI.F
SEAL	CERAMIC / CARBON
PUMP DURABILITY PRESSURE (Pmax)	10 bar
MONOPHASE MODELS HAVE THERMAL PROTECTION AGAINST OVERLOADS.	

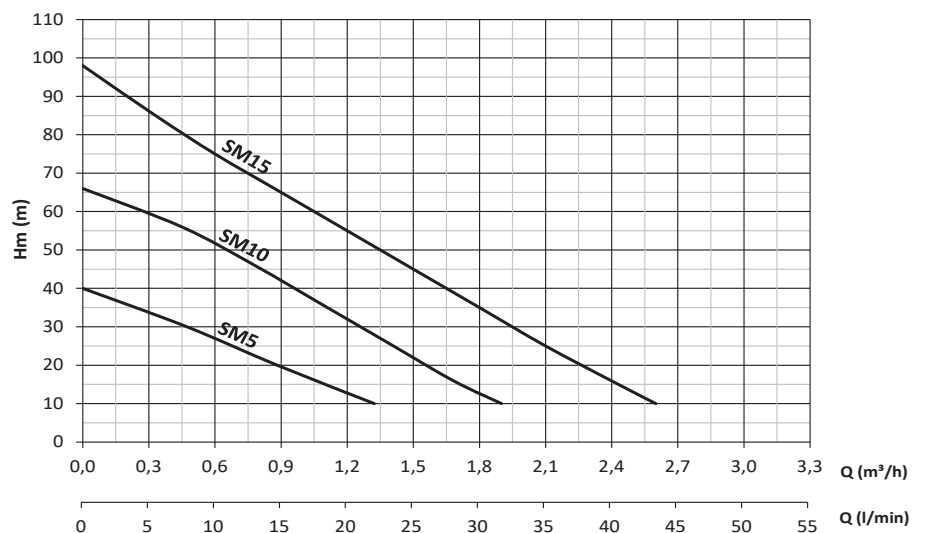
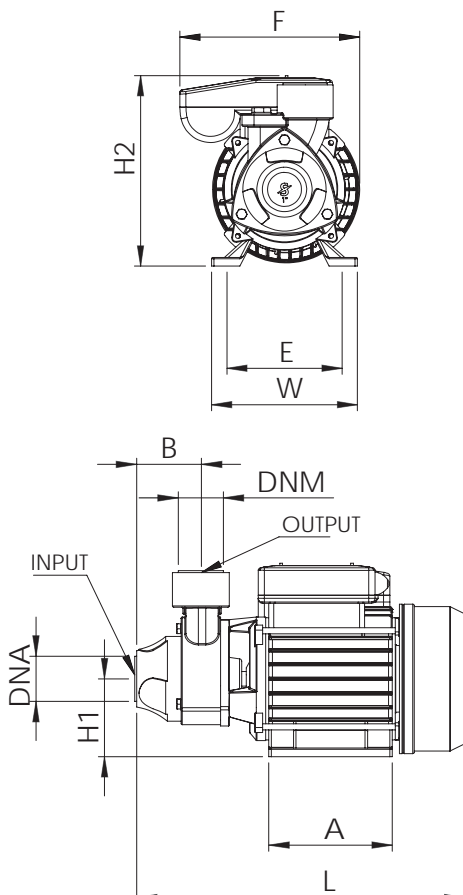
TECHNICAL SPECIFICATIONS

MOTOR											PUMP									
TYPE	KW	HP	V		Hz	A		RPM	CAPACITOR		Hm	Suc. m	Input Output	KG	m ³ /h	0.3	0.6	0.9	1.2	2.4
			SINGLE	THREE		SINGLE	THREE		Uf	Vc										
* SM5	0.37	0.5	220	380	50	2.4	1.4	2900	10	450	40	6	1"	6	mss	33	28	20	13	-
* SMT5	0.75	1	220	380	50	5.4	2.4	2900	20	450	66	6	1"	10		65	52	43	33	-
* SMT15	1.1	1.5	220	380	50	6	2.5	2900	25	450	98	6	1"	13		85	75	65	55	15

DIMENSIONS

Type	A	B	L	W	E	F	H1	H2	DNA	DNM
SM5	100	53	266	120	95	148	63	157	G 1"	G 1"
SM10	118	61	295	159	121	179	80	195	G 1"	G 1"
SM15	118	57	294	159	121	179	80	195	G 1"	G 1"

* Optionally, it can be manufactured to be used in hot water applications up to 90 °C.



SMJK100



SMJ100



DEFINITION

These pumps with cast iron body are easy to portable, quiet operation and a suction power of up to 9 meter jet pumps.

These Jet pumps have a technological design, operates silently and no need maintenance.

Monophase model has internal thermal protection and automatic reset.

These pumps are manufactured at frequencies of 50 Hz and 60 Hz.

USAGE AREAS

These pumps are used in residential areas, industrial facilities, irrigation applications that require pressure, in buildings of up to 4 floors 8 flats, for booster purposes in villas and summer houses, for water supply from wells and tanks, and garden irrigation.

PUMP MATERIAL PROPERTIES

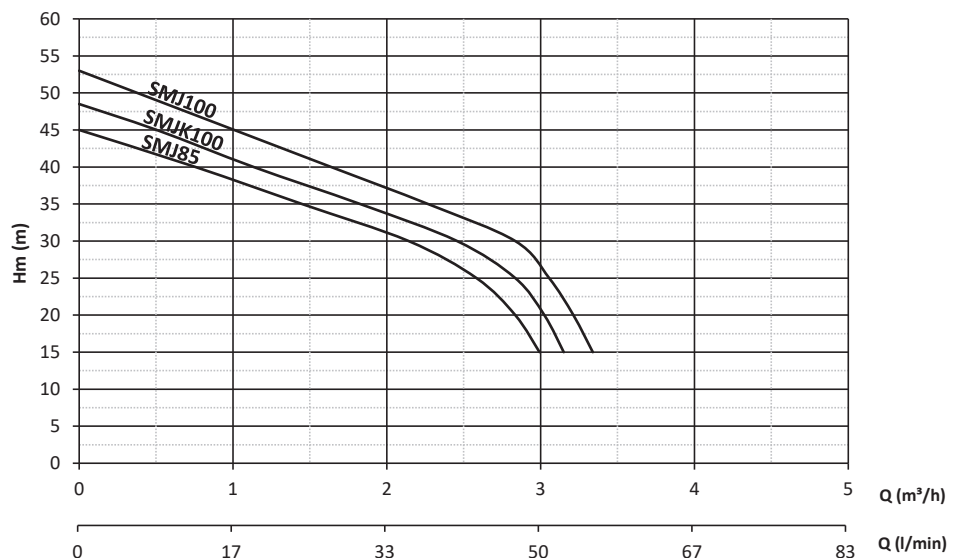
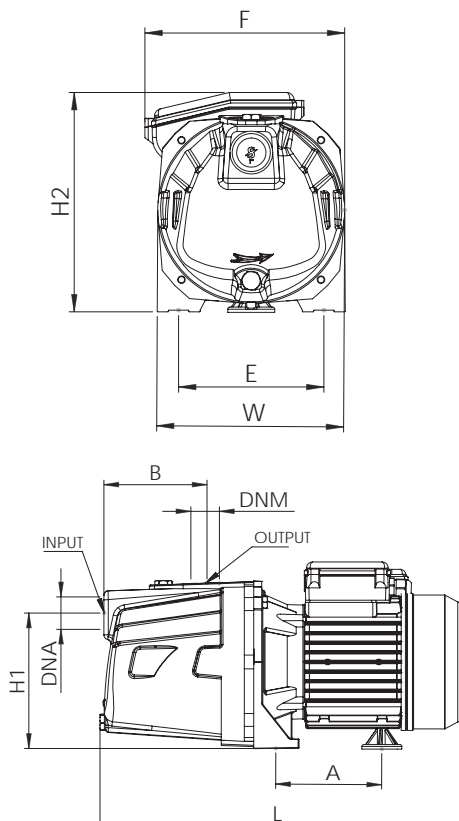
PUMP BODY	GG25 CAST IRON
IMPELLER	NORYL
SHAFT	AISI 304 INOX
FLOW RATE	3.5 m ³ /hour
TOTAL HEAD	52 m
LIQUID PUMPING TEMPERATURE	0-45°C
PROTECTION CLASS	IP 54
INSULATION	Cl.F
SEAL	CERAMIC / CARBON
PUMP DURABILITY PRESSURE (Pmax)	8 bar
MONOPHASE MODELS HAVE THERMAL PROTECTION AGAINST OVERLOADS.	

TECHNICAL SPECIFICATIONS

MOTOR											PUMP								
TYPE	KW	HP	V		Hz	A		RPM	CAPACITOR		Hm	Suc. m	Input Output	KG	m ³ /h	0.5	1	2	3
			SINGLE	THREE		SINGLE	THREE		Uf	Vc									
SMJ85 SMJT85	0.65	0.85	220	380	50	4.6	1.7	2900	20	450	45	7	1"	12.5	mss	42	36	31	15
SMJK100 SMJKT100	0.75	1	220	380	50	4.7	2.2	2900	20	450	48	7	1"	12.5		45	41	34	22
SMJ100 SMJT100	0.75	1	220	380	50	5.2	2.2	2900	20	450	53	9	1"	15		48	45	37	27

DIMENSIONS

Type	A	B	L	W	E	F	H1	H2	DNA	DNM
SMJ85 SMJT85	120	90	368	180	140	192	153	211	G 1"	G 1"
SMJK100 SMJKT100	120	90	368	180	140	192	153	211	G 1"	G 1"
SMJ100 SMJT100	120	116	407	180	140	192	153	211	G 1"	G 1"



SMJ150



SMJ220



DEFINITION

These pumps with cast iron body are easy to portable, quiet operation and a suction power of up to 9 meter jet pumps.

These Jet pumps have a technological design, operates silently and no need maintenance.

SMJ150 model has internal thermal protection and automatic reset.

These pumps are manufactured at frequencies of 50 Hz and 60 Hz.

USAGE AREAS

These pumps are used in residential areas, industrial facilities, irrigation applications that require pressure, in buildings of up to 10 floors 20 flats, for booster purposes in villas and summer houses, for water supply from wells and tanks, and garden irrigation.

PUMP MATERIAL PROPERTIES

PUMP BODY	GG25 CAST IRON
IMPELLER	NORYL
SHAFT	AISI 304 INOX
FLOW RATE	6 m ³ /hour
TOTAL HEAD	74 m
LIQUID PUMPING TEMPERATURE	0-45°C
PROTECTION CLASS	IP 54
INSULATION	Cl.F
SEAL	CERAMIC / CARBON
PUMP DURABILITY PRESSURE (Pmax)	10 bar

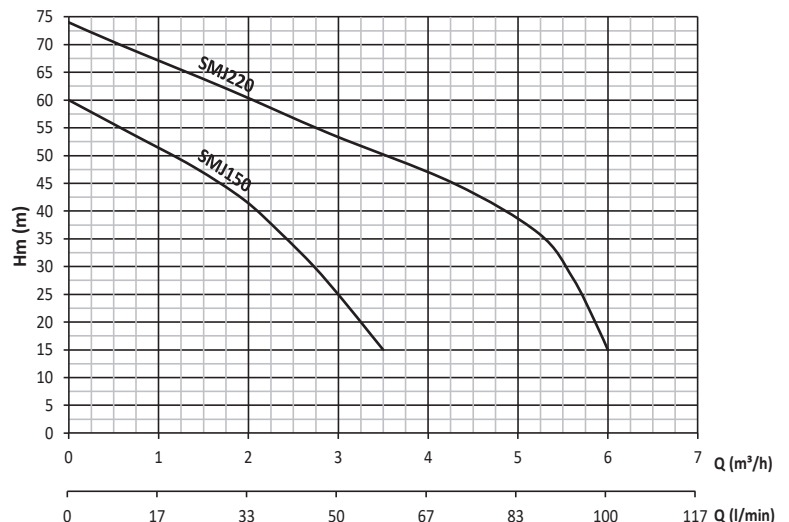
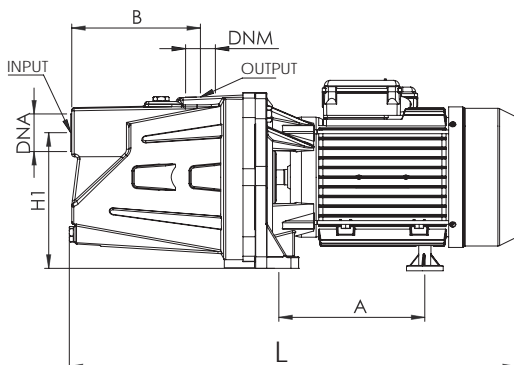
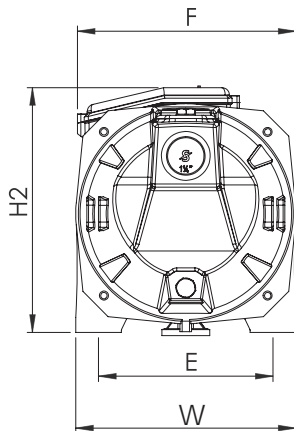
SMJ150 MODEL HAS THERMAL PROTECTION AGAINST OVERLOADS.

TECHNICAL SPECIFICATIONS

MOTOR										PUMP										
TYPE	KW	HP	V		Hz		RPM	CAPACITOR		Hm	Suc. m	Input Output	KG	m ³ /h	1	2	3	4	5	
			SINGLE	THREE	SINGLE	THREE		uf	Vc											
SMJ150 SMJT150	1.1	1.5	220	380	50	5.8	2.6	2900	25	450	60	9	1"	16	ms	51	42	25	-	-
SMJ220 SMJT220	1.6	2.2	220	380	50	8.8	3.5	2900	45	450	74	9	1 1/4"	28.5		67	60	53	47	38

DIMENSIONS

Type	A	B	L	W	E	F	H1	H2	DNA	DNM
SMJ150 SMJT150	120	116	407	180	140	192	153	211	G 1"	G 1"
SMJ220 SMJT220	179	156	548	207	164	206	166	230	G 1 1/4"	G 1"



SMJK150/4



DEFINITION

These pumps with cast iron body are easy to portable and quiet operation jet pumps.

Monophase model has internal thermal protection and automatic reset.

These pumps are manufactured at frequencies of 50 Hz and 60 Hz.

USAGE AREAS

These pumps are used in residential areas, industrial facilities, irrigation applications that require pressure, in buildings of up to 5 floors 12 flats, for booster purposes in villas and summer houses, for water supply from wells and tanks, and garden irrigation.

PUMP MATERIAL PROPERTIES

PUMP BODY	GG25 CAST IRON
IMPELLER	NORYL
SHAFT	AISI 304 INOX
FLOW RATE	6 m ³ /hour
TOTAL HEAD	54 m
LIQUID PUMPING TEMPERATURE	0-45°C
PROTECTION CLASS	IP 54
INSULATION	CI.F
SEAL	CERAMIC / CARBON
PUMP DURABILITY PRESSURE (Pmax)	8 bar

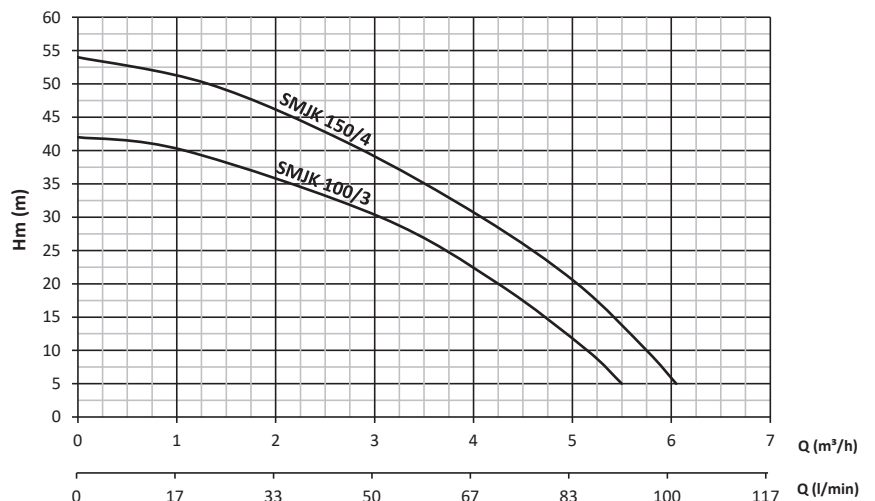
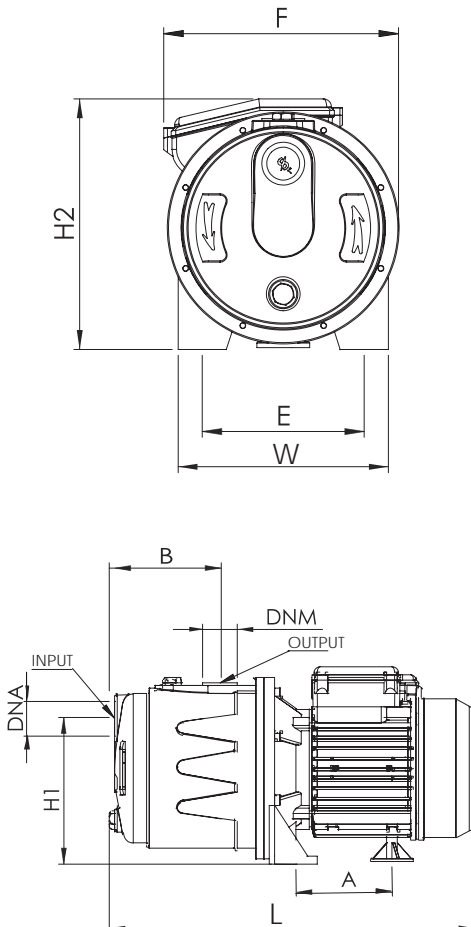
*MONOPHASE MODELS HAVE THERMAL PROTECTION AGAINST OVERLOADS.

TECHNICAL SPECIFICATIONS

MOTOR										PUMP										
TYPE	KW	HP	V		Hz		A		RPM	CAPACITOR		Hm	Suc. m	Input Output	KG	m ³ /h				
			SINGLE	THREE	SINGLE	THREE	uf	Vc		1	2					3	4	5		
SMJK100/3	0.75	1	220	380	50	4.8	2.3	2900	20	450	43	6	1"	15.5	ms	40	35	30	23	12
SMJK150/4	1.1	1.5	220	380	50	6	2.9	2900	25	450	55	6	1"	16.5		51	46	38	30	20

DIMENSIONS

Type	A	B	L	W	E	F	H1	H2	DNA	DNM
SMJK100/3	104	114	398	179	138	200	159	215	G 1"	G 1"
SMJK150/4	104	114	398	179	138	200	159	215	G 1"	G 1"



SMINOX150J



DEFINITION

These pumps with stainless steel body are easy to portable, self-priming and quiet operated jet pumps. It is designed for use in clean water supply. These jet pumps have a technological design, operates silently and no need maintenance.

These pumps are manufactured at frequencies of 50 Hz and 60 Hz.

USAGE AREAS

These pumps are used in residential areas, industrial facilities, irrigation applications that require pressure, in buildings of up to 4 floors 8 flats, for booster purposes in villas and summer houses, for water supply from wells and tanks, and garden irrigation.

PUMP MATERIAL PROPERTIES

PUMP BODY	AISI 304 INOX
IMPELLER	NORYL
SHAFT	AISI 304 INOX
FLOW RATE	3.5 m ³ /hour
TOTAL HEAD	58 m
LIQUID PUMPING TEMPERATURE	0-45°C
PROTECTION CLASS	IP 54
INSULATION	CI.F
SEAL	CERAMIC / CARBON
PUMP DURABILITY PRESSURE (Pmax)	8 bar

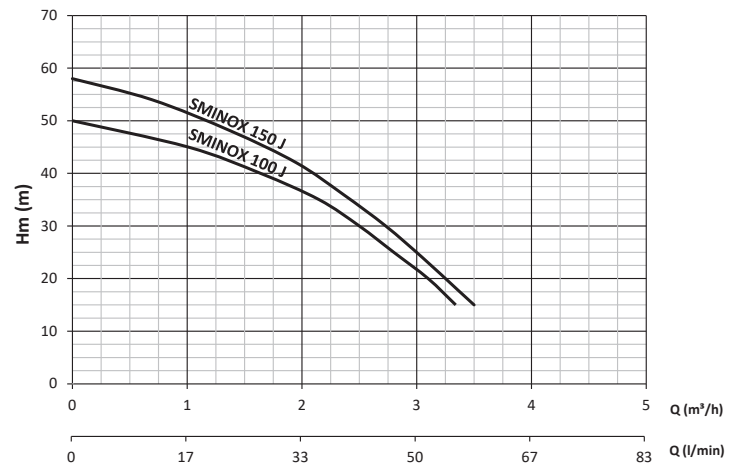
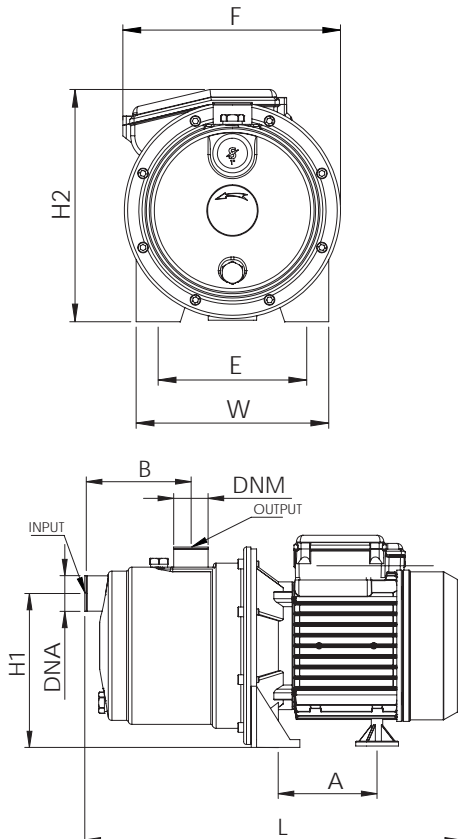
TECHNICAL SPECIFICATIONS

TYPE	MOTOR										PUMP									
	KW	HP	V		Hz	A		RPM	CAPACITOR		Hm	Suc. m	Input Output	KG	m ³ /h	1	1.5	2	2.5	3
			SINGLE	THREE		SINGLE	THREE		uf	Vc										
* SMINOX100J SMINOX100J-T	0.75	1	220	380	50	5.2	2.2	2900	20	450	50	9	1"	11	ms	45	41	38	30	21
* SMINOX150J SMINOX150J-T	1.1	1.5	220	380	50	5.7	2.6	2900	25	450	58	9	1"	12		52	48	41	33	25

DIMENSIONS

Type	A	B	L	W	E	F	H1	H2	DNA	DNM
SMINOX100J SMINOX150J	104	72	330	179	138	203	104	216	G 1"	G 1"

*Optionally, it can be manufactured with AISI 316 stainless steel.



SM7-S H



DEFINITION

These pumps with cast iron body and bronze impeller are easy to portable, peripheral, automatic and silent operation hot water mini package booster. It is designed for use in hot water pressurization between 0-80°C. Monophase model has internal thermal protection and automatic reset. These pumps are manufactured at frequencies of 50 Hz and 60 Hz.

USAGE AREAS

These pumps are used in buildings with a maximum of 1 floor and 2 flats, solar energy systems, baths, saunas and showers.

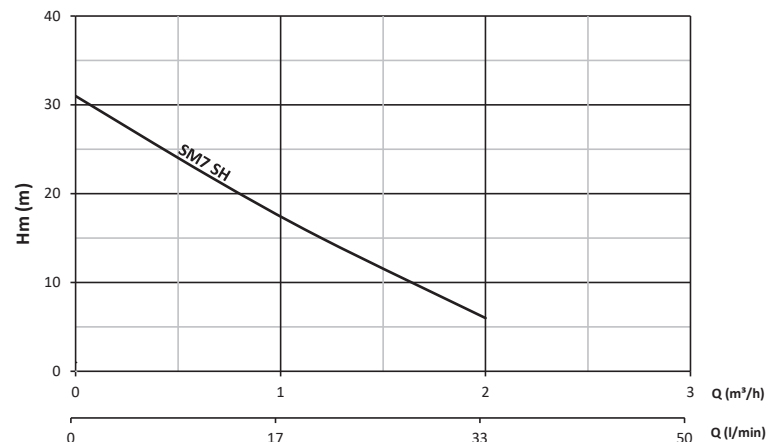
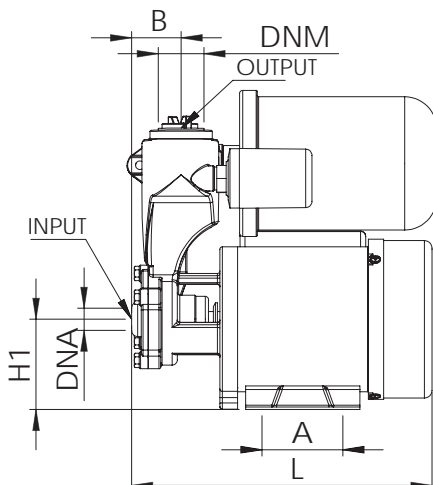
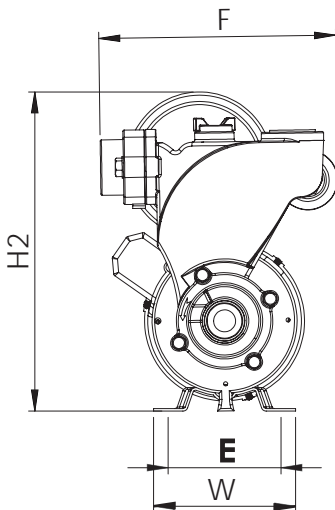
PUMP MATERIAL PROPERTIES

PUMP BODY	GG25 CAST IRON
IMPELLER	BRONZE
SHAFT	AISI 304 INOX
FLOW RATE	2 m ³ /hour
TOTAL HEAD	32 m
LIQUID PUMPING TEMPERATURE	0-80°C
PROTECTION CLASS	IP 54
INSULATION	CI.F
SEAL	CERAMIC / CARBON
PUMP DURABILITY PRESSURE (Pmax)	5 bar
MONOPHASE MODELS HAVE THERMAL PROTECTION AGAINST OVERLOADS.	

TECHNICAL SPECIFICATIONS

MOTOR										PUMP								
TYPE	KW	HP	V	Hz	A	RPM	CAPACITOR uf	Vc	Hm	Suc. m	Input Output	KG	m ³ /h	0.3	0.6	0.9	1.2	2
SM7-S H	0.37	0.5	220	50	1.7	2900	8	450	31	-	1"	8	m ³ /h	26	21	18	14	7

DIMENSIONS										
Type	A	B	L	W	E	F	H1	H2	DNA	DNM
SM7-S H	64	39	237	112	89	187	71	252	G 1"	G 1"



SM150A

Open Impeller



DEFINITION

These pumps with cast iron body and cast vortex impeller are easy to portable pumps.

It is designed for use in the discharge of dirty water that does not contain solid particles.

Monophase model has internal thermal protection and automatic reset.

These pumps are manufactured at frequencies of 50 Hz and 60 Hz.

USAGE AREAS

These pumps are used to water supply in residential areas, industrial facilities, heating cooling systems, paint booths, industrial washing machines and standing water discharge.

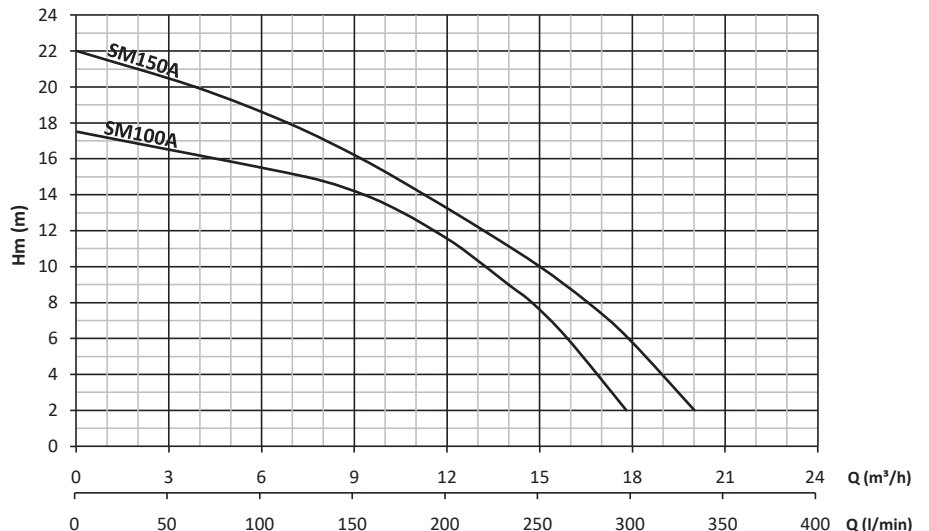
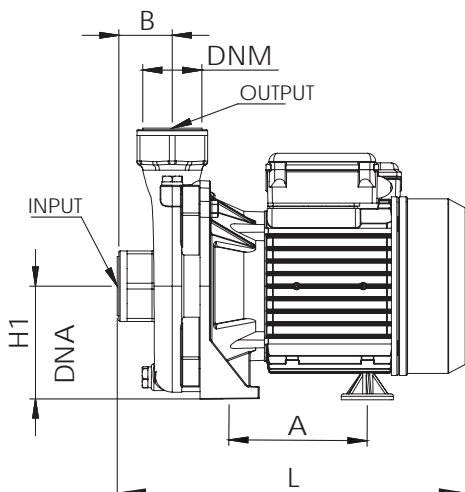
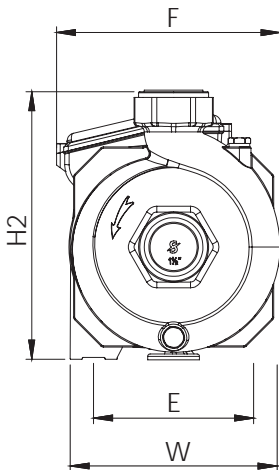
PUMP MATERIAL PROPERTIES

PUMP BODY	GG25 CAST IRON
IMPELLER	GG25 CAST IRON
SHAFT	AISI 304 INOX
FLOW RATE	20 m ³ /hour
TOTAL HEAD	22 m
LIQUID PUMPING TEMPERATURE	0-45°C
PROTECTION CLASS	IP 54
INSULATION	CI.F
SEAL	CERAMIC / CARBON
PUMP DURABILITY PRESSURE (Pmax)	4 bar
MONOPHASE MODELS HAVE THERMAL PROTECTION AGAINST OVERLOADS.	

TECHNICAL SPECIFICATIONS

MOTOR										PUMP										
TYPE	KW/HP	V		Hz		A		RPM	CAPACITOR		Hm	Suc. m	Input Output	KG	m ³ /h	3	6	10	15	20
		SINGLE	THREE	SINGLE	THREE	uf	Vc													
SM100A SMT100A	0.75 / 1	220	380	50	4.7	2.2	2900	20	450	17	-	1 ^{1/2}	13.5	mss	16.5	15.5	13.5	7	-	
SM150A SMT150A	1.1 / 1.5	220	380	50	5.8	2.8	2900	25	450	22	-	1 ^{1/2}	14		20.5	19	15	10	2	

DIMENSIONS										
Type	A	B	L	W	E	F	H1	H2	DNA	DNM
SM100A SMT100A	120	46	303	180	140	195	98	233	G 1 ^{1/2}	G 1 ^{1/2}
SM150A SMT150A	120	46	303	180	140	195	98	233	G 1 ^{1/2}	G 1 ^{1/2}



SM100



SM220



DEFINITION

These pumps with cast iron body are high altitude and a suction power of up to 6 meter pumps. It is designed for use in clean water supply. SM85 and SM100 models have thermal protection and automatic reset. These pumps are manufactured at frequencies of 50 Hz and 60 Hz.

USAGE AREAS

These pumps are used in residential areas, industrial facilities, irrigation applications, heating - cooling systems, paint booths, industrial wash machines and water supply and pressurization.

PUMP MATERIAL PROPERTIES

PUMP BODY	GG25 CAST IRON
IMPELLER	NORYL
SHAFT	AISI 304 INOX
FLOW RATE	11.5 m ³ /hour
TOTAL HEAD	44 m
LIQUID PUMPING TEMPERATURE	0-45°C
PROTECTION CLASS	IP 54
INSULATION	CI.F
SEAL	CERAMIC / CARBON
PUMP DURABILITY PRESSURE (Pmax)	6 bar

SM85 AND SM100 MODELS HAVE THERMAL PROTECTION AGAINST OVERLOADS.

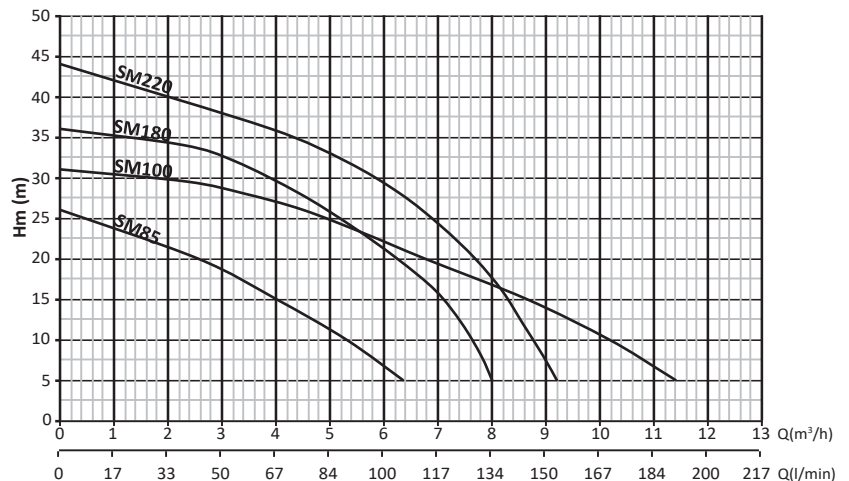
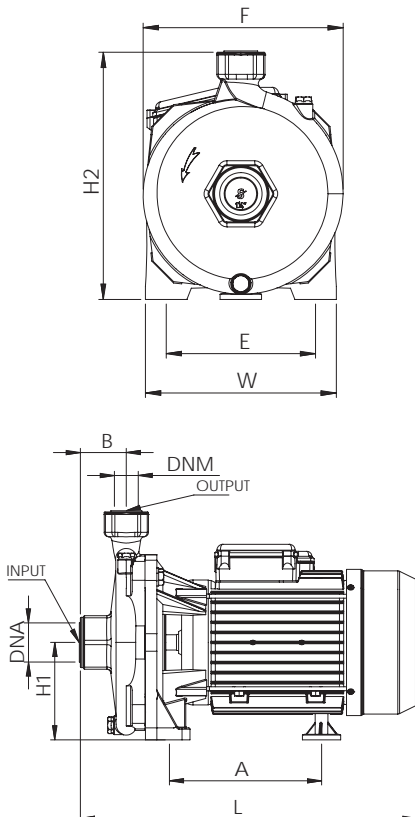
TECHNICAL SPECIFICATIONS

TYPE	MOTOR										PUMP								
	KW	HP	V		Hz	A		RPM	CAPACITOR		Hm	Suc. m	Input Output	KG	m ³ /h	2	4	6	8
			SINGLE	THREE		SINGLE	THREE		uf	Vc					mss				
* SM85 SMT85	0.65	0.85	220	380	50	4.3	1.7	2900	20	450	25	6	1"	12	22	15	7	-	-
* SM100 SMT100	0.75	1	220	380	50	5.7	2.2	2900	25	450	31	6	1"	13.5	29	26	22	17	11
* SM180 SMT180	1.35	1.8	220	380	50	8.5	3	2900	40	450	36	6	1 1/4"	24	34	29	22	5	-
* SM220 SMT220	1.6	2.2	220	380	50	10.8	3.6	2900	45	450	44	6	1 1/4"	26	40	36	29	-	-

DIMENSIONS

Type	A	B	L	W	E	F	H1	H2	DNA	DNM
SM85 SMT85	120	50	299	180	140	205	98	236	G 1"	G 1"
SM100 SMT100	120	50	299	180	140	205	98	236	G 1"	G 1"
SM180 SMT180	179	54	396	207	162	217	115	268	G 1 1/4"	G 1"
SM220 SMT220	179	54	396	207	162	217	115	268	G 1 1/4"	G 1 1/4"

*Optionally, it can be manufactured to be used in hot water applications up to 90 °C and the impeller can be produced with stainless steel.



SM150



SM220/1.5



DEFINITION

These pumps with cast iron body are high altitude and a suction power of up to 6 meter pumps. It is designed for use in clean water supply. SM150 model has thermal protection and automatic reset. These pumps are manufactured at frequencies of 50 Hz and 60 Hz.

USAGE AREAS

These pumps are used in residential areas, industrial facilities, irrigation applications, heating - cooling systems, paint booths, industrial wash machines and water supply and pressurization.

PUMP MATERIAL PROPERTIES

PUMP BODY	GG25 CAST IRON
IMPELLER	SM 150 NORYL - SM 220/1.5 GG25 CAST IRON
SHAFT	AISI 304 INOX
FLOW RATE	12 m ³ /hour
TOTAL HEAD	36 m
LIQUID PUMPING TEMPERATURE	0-45°C
PROTECTION CLASS	IP 54
INSULATION	CI.F
SEAL	CERAMIC / CARBON
PUMP DURABILITY PRESSURE (Pmax)	6 bar

SM150 MODEL HAS THERMAL PROTECTION AGAINST OVERLOADS.

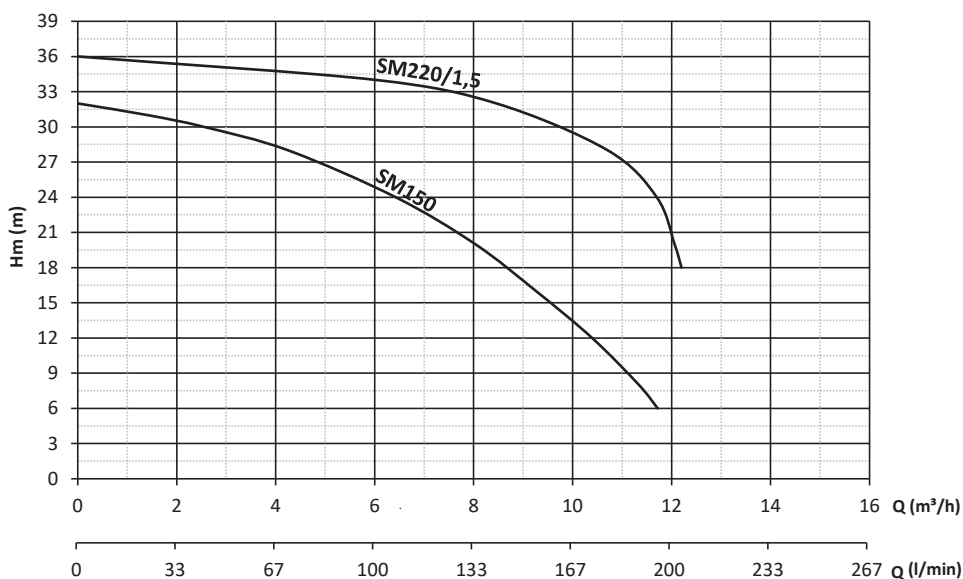
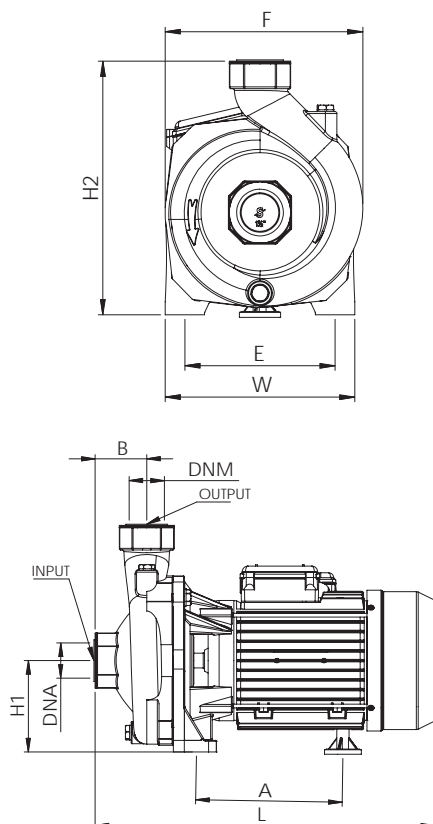
TECHNICAL SPECIFICATIONS

TYPE	MOTOR								PUMP											
	KW	HP	V	Hz	A	RPM	CAPACITOR	Hm	Suc. m	Input Output	KG	m ³ /h	2	4	6	9	12			
* SM150 SMT150	1.1	1.5	220	380	50	6.3	2.6	2900	25	450	32	6	1 ^{1/2}	14.5	mss	30	28	25	16	5
* SM220/1.5 SMT220/1.5	1.6	2.2	220	380	50	9.8	4.4	2900	45	450	36	6	1 ^{1/2}	28.5		35.5	35	34	31	21

DIMENSIONS

Type	A	B	L	W	E	F	H1	H2	DNA	DNM
SM150 SMT150	120	58	312	180	140	201	98	250	G 1 ^{1/2}	G 1 ^{1/2}
SM220/1.5 SMT220/1.5	179	63	415	207	164	216	112	277	G 1 ^{1/2}	G 1 ^{1/2}

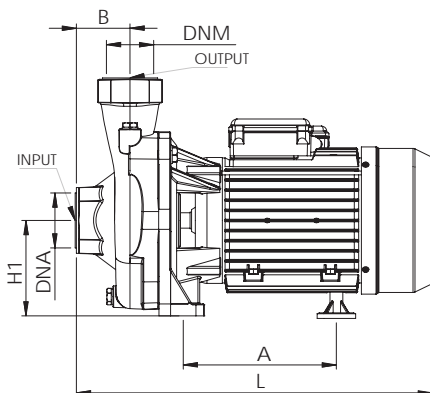
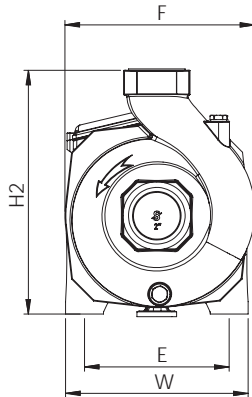
*Optionally, it can be manufactured to be used in hot water applications up to 90 °C and the impeller can be produced with stainless steel.



SM150/2



SM300/2



DEFINITION

These pumps with cast iron body are high altitude, high flow rate and a suction power of up to 6 meter pumps. It is designed for use in clean water supply.

SM300/2 model has cast iron impeller.

SM150/2 and SM160/2 models have thermal protection and automatic reset. These pumps are manufactured at frequencies of 50 Hz and 60 Hz.

USAGE AREAS

These pumps are used in residential areas, industrial facilities, irrigation applications, heating - cooling systems, paint booths, industrial wash machines and water supply and pressurization.

PUMP MATERIAL PROPERTIES

PUMP BODY	GG25 CAST IRON
IMPELLER	NORYL (SM300/2 GG25 CAST IRON)
SHAFT	AISI 304 INOX
FLOW RATE	34 m ³ /hour
TOTAL HEAD	32 m
LIQUID PUMPING TEMPERATURE	0-45°C
PROTECTION CLASS	IP 54
INSULATION	Cl.F
SEAL	CERAMIC / CARBON
PUMP DURABILITY PRESSURE (Pmax)	6 bar

150/2 AND SM160/2 MODELS HAVE THERMAL PROTECTION AGAINST OVERLOADS.

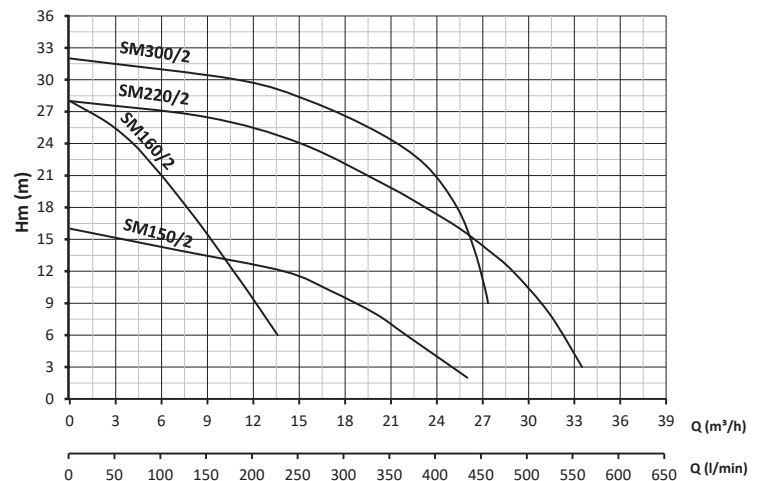
TECHNICAL SPECIFICATIONS

MOTOR											PUMP										
TYPE	KW/HP		V		Hz		A		RPM	CAPACITOR		Hm	Suc. m	Input Output	KG	m ³ /h	6	12	18	24	32
	SINGLE	THREE	SINGLE	THREE	SINGLE	THREE	uf	Vc													
SM150/2 SMT150/2	1.1	1.5	220	380	50	6.3	2.6	2900	25	450	16	6	2"	15.5	mss	14	13	9.5	4	-	
* SM160/2 SMT160/2	1.1	1.5	220	380	50	6.3	2.6	2900	25	450	28	6	2"	14.5		21	9	-	-	-	
SM220/2 SMT220/2	1.6	2.2	220	380	50	4.4	4.4	2900	45	450	28	6	2"	28		27	25	22	18	7	
* SM300/2 SMT300/2	2.2	3	220	380	50	13.7	4.9	2900	50	450	32	6	2"	30		31	29	26	21	-	

DIMENSIONS

Type	A	B	L	W	E	F	H1	H2	DNA	DNM
SM150/2 SMT150/2	120	60	324	180	140	201	98	246	G 2"	G 2"
SM160/2 SMT160/2	120	60	324	180	140	201	98	246	G 2"	G 2"
SM220/2 SMT220/2	179	63	416	207	164	216	112	277	G 2"	G 2"
SM300/2 SMT300/2	179	63	416	207	164	216	112	277	G 2"	G 2"

*Optionally, it can be manufactured to be used in hot water applications up to 90 °C.



SMT400/3



DEFINITION

These pumps with cast iron body and cast iron impeller are high flow rate and a suction power of up to 6 meter pumps. It is designed for use in the supply and discharge of clean or few dirty water.

These pumps are manufactured at frequencies of 50 Hz and 60 Hz.

USAGE AREAS

These pumps are used in residential areas, industrial facilities, irrigation applications, heating - cooling systems, paint booths, industrial wash machines and water supply and pressurization.

PUMP MATERIAL PROPERTIES

PUMP BODY	GG25 CAST IRON
IMPELLER	GG25 CAST IRON
SHAFT	AISI 304 INOX
FLOW RATE	58 m ³ /hour
TOTAL HEAD	18 m
LIQUID PUMPING TEMPERATURE	0-45°C
PROTECTION CLASS	IP 54
INSULATION	CI.F
SEAL	CERAMIC / CARBON
PUMP DURABILITY PRESSURE (Pmax)	4 bar

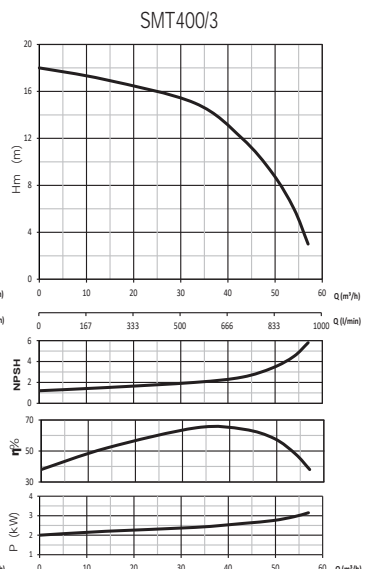
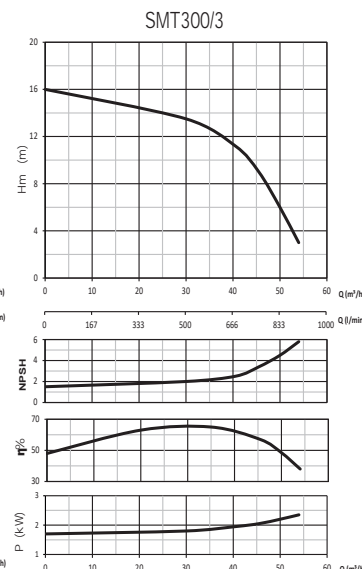
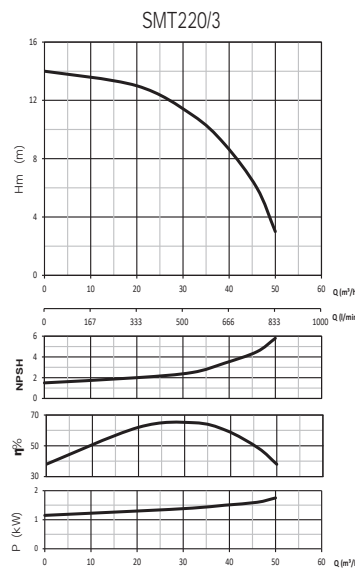
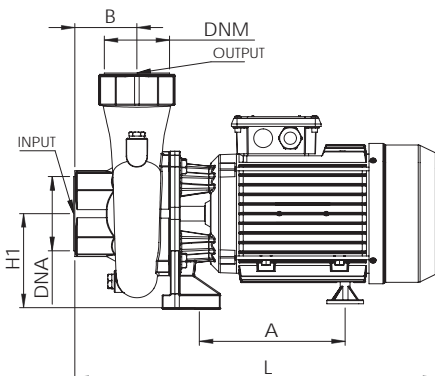
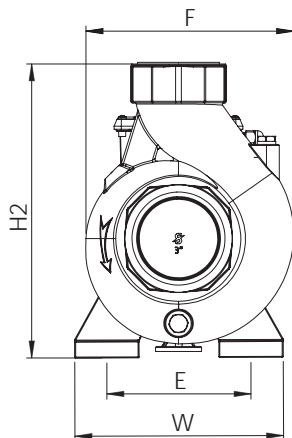
TECHNICAL SPECIFICATIONS

MOTOR											PUMP										
TYPE	KW/HP		V		Hz		A		RPM	CAPACITOR	Hm	Suc. m	Input Output	KG	m ³ /h	20	25	35	45	60	
			SINGLE	THREE	SINGLE	THREE				uf	Vc										
* SM220/3 SMT220/3	1.6	2.2	220	380	50	50	8.8	4.6	2900	45	450	14	6	3" 2 ¹ / ₂ "	28.5	mss	13	12	10	6	-
* SM300/3 SMT300/3	2.2	3	220	380	50	50	12	4.8	2900	50	450	16	6	3" 2 ¹ / ₂ "	30		14.5	14	13	9	-
* SMT400/3	3	4	-	380	50	-	7	-	2900	-	-	18	6	3"	33.5		16.5	16	14	11	-

DIMENSIONS

Type	A	B	L	W	E	F	H1	H2	DNA	DNM
SM220/3 SMT220/3	179	76	444	204	141	203	116	288	G 3"	G 2 ¹ / ₂ "
SM300/3 SMT300/3	179	76	444	204	141	203	116	288	G 3"	G 2 ¹ / ₂ "
SMT400/3	202	83	479	204	141	224	116	300	G 3"	G 3"

*Optionally, it can be manufactured to be used in hot water applications up to 90 °C.



SMT550/3



DEFINITION

These pumps with cast iron body and cast iron impeller are high flow rate and a suction power of up to 6 meter pumps. It is designed for use in the supply and discharge of clean or few dirty water.

These pumps are manufactured at frequencies of 50 Hz and 60 Hz.

USAGE AREAS

These pumps are used in residential areas, industrial facilities, irrigation applications, heating - cooling systems, paint booths, industrial wash machines and water supply and pressurization.

PUMP MATERIAL PROPERTIES

PUMP BODY	GG25 CAST IRON
IMPELLER	GG25 CAST IRON
SHAFT	AISI 304 INOX
FLOW RATE	60 m ³ /hour
TOTAL HEAD	40 m
LIQUID PUMPING TEMPERATURE	0-45°C
PROTECTION CLASS	IP 54
INSULATION	CI.F
SEAL	CERAMIC / CARBON
PUMP DURABILITY PRESSURE (Pmax)	6 bar

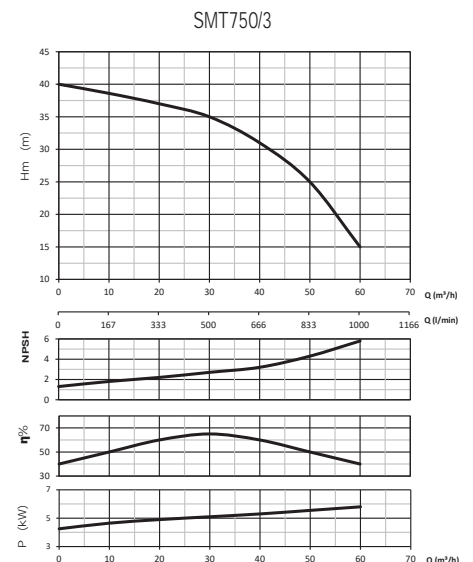
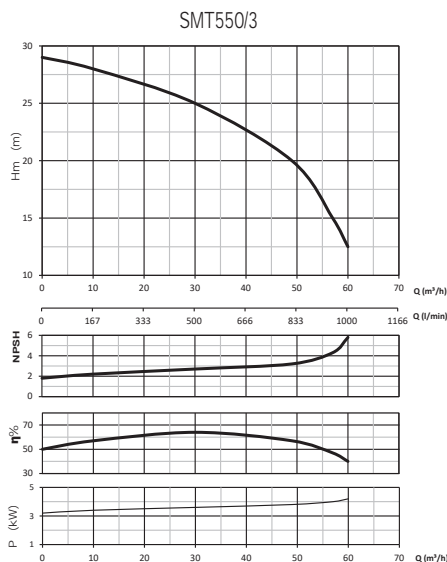
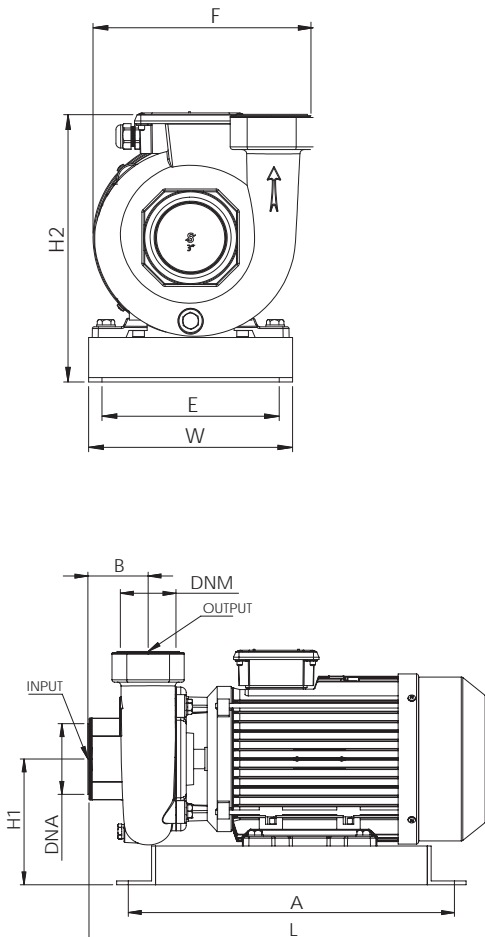
TECHNICAL SPECIFICATIONS

MOTOR								PUMP								
TYPE	KW	HP	V	Hz	A	RPM	Hm	Suc. m	Input Output	KG	m ³ /h	10	20	30	40	55
* SMT550/3	4	5.5	380	50	10.5	2900	28	6	3" 2 ^{1/2}	44	mss	28	27	25	23	17
* SMT750/3	5.5	7.5	380	50	12	2900	40	6	3" 2 ^{1/2}	56		38	37	35	31	20

DIMENSIONS

Type	A	B	L	W	E	F	H1	H2	DNA	DNM
SMT550/3	420	77	511	229	199	247	112	300	G 3"	G 2 ^{1/2}
SMT750/3	490	90	526	229	199	345	162	485	G 3"	G 2 ^{1/2}

*Optionally, it can be manufactured to be used in hot water applications up to 90°C.



SMT1500/3



DEFINITION

These pumps with cast iron body and cast iron impeller are high flow rate and a suction power of up to 6 meter pumps. It is designed for use in the supply and discharge of clean or few dirty water.

These pumps are manufactured at frequencies of 50 Hz and 60 Hz.

USAGE AREAS

These pumps are used in residential areas, industrial facilities, irrigation applications, heating - cooling systems, paint booths, industrial wash machines and water supply and pressurization.

PUMP MATERIAL PROPERTIES

PUMP BODY	GG25 CAST IRON
IMPELLER	GG25 CAST IRON
SHAFT	AISI 304 INOX
FLOW RATE	65 m ³ /hour
TOTAL HEAD	55 m
LIQUID PUMPING TEMPERATURE	0-45°C
PROTECTION CLASS	IP 54
INSULATION	CI.F
SEAL	CERAMIC / CARBON
PUMP DURABILITY PRESSURE (Pmax)	8 bar

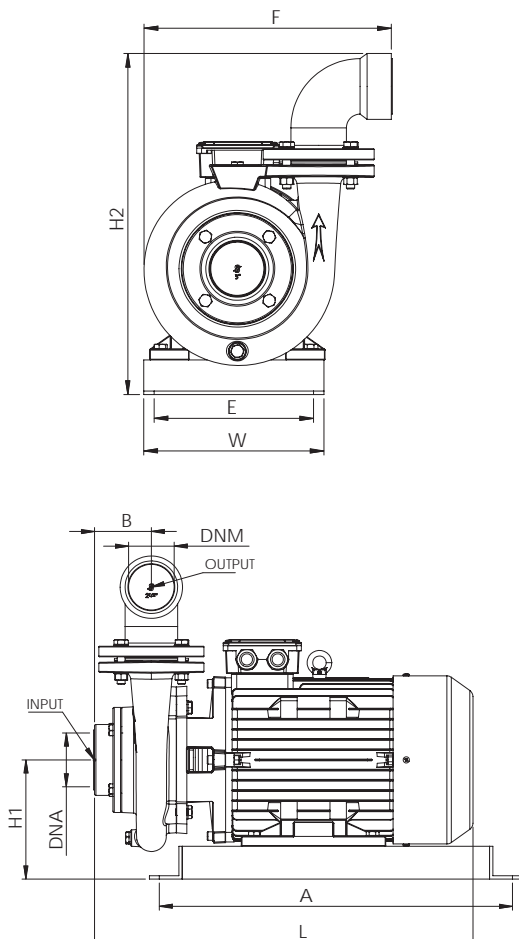
TECHNICAL SPECIFICATIONS

TYPE	MOTOR						PUMP									
	KW	HP	V	Hz	A	RPM	Hm	Suc. m	Input Output	KG	m ³ /h	10	20	30	40	50
* SMT1000/3	7.5	10	380	50	14.7	2900	50	6	3" 2 ^{1/2} "	74.5	mss	49	48	47	41	27
* SMT1500/3	11	15	380	50	22	2900	55	6	3" 2 ^{1/2} "	85	mss	54	53	52	50	45

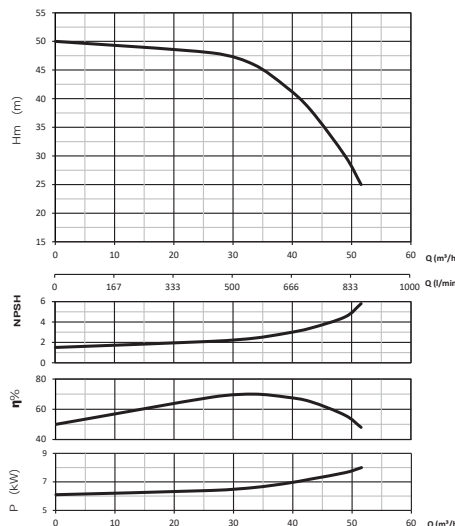
DIMENSIONS

Type	A	B	L	W	E	F	H1	H2	DNA	DNM
SMT1000/3	538	87	577	260	230	357	182	492	G 3"	G 2 ^{1/2} "
SMT1500/3	538	87	577	260	230	357	182	492	G 3"	G 2 ^{1/2} "

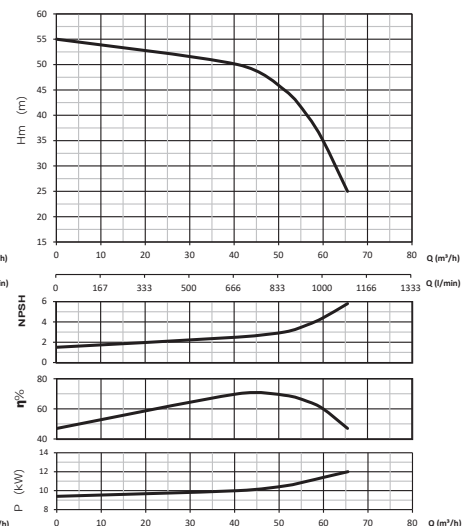
*Optionally, it can be manufactured to be used in hot water applications up to 90°C.



SMT1000/3



SMT1500/3



SMT550/4



DEFINITION

These pumps with cast iron body and cast iron impeller are high flow rate and a suction power of up to 6 meter pumps. It is designed for use in the supply and discharge of clean or few dirty water.

These pumps are manufactured at frequencies of 50 Hz and 60 Hz.

USAGE AREAS

These pumps are used in residential areas, industrial facilities, irrigation applications, heating - cooling systems, paint booths, industrial wash machines and water supply and pressurization.

PUMP MATERIAL PROPERTIES

PUMP BODY	GG25 CAST IRON
IMPELLER	GG25 CAST IRON
SHAFT	AISI 304 INOX
FLOW RATE	115 m ³ /hour
TOTAL HEAD	20 m
LIQUID PUMPING TEMPERATURE	0-45°C
PROTECTION CLASS	IP 54
INSULATION	C.I.F
SEAL	CERAMIC / CARBON
PUMP DURABILITY PRESSURE (Pmax)	4 bar

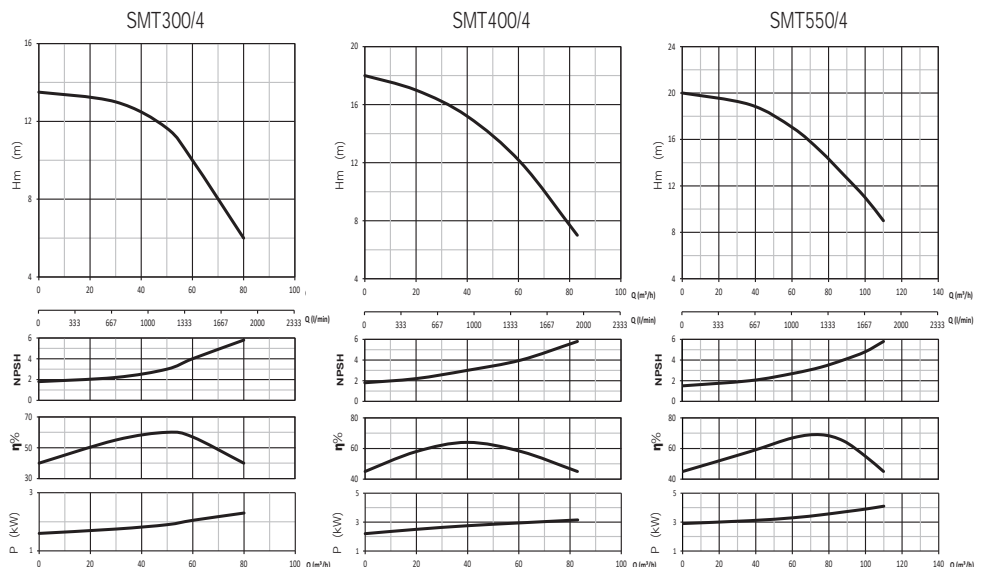
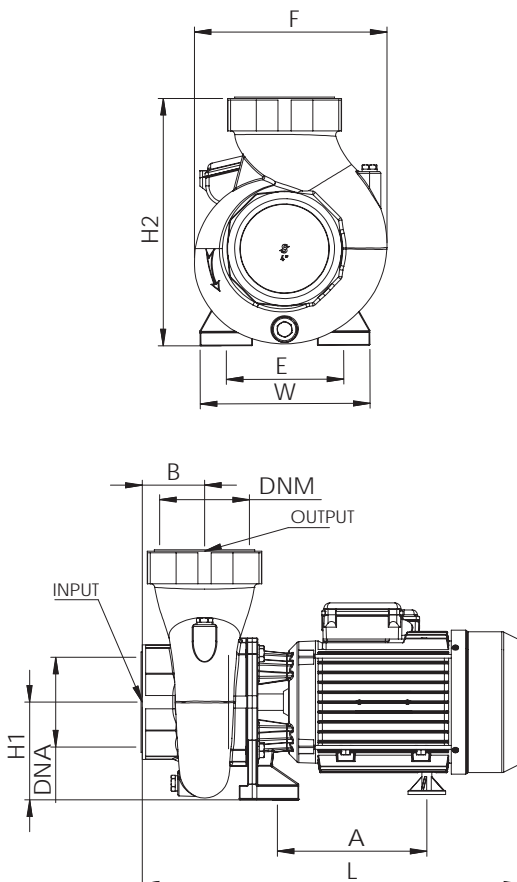
TECHNICAL SPECIFICATIONS

TYPE	MOTOR								PUMP											
	KW	HP	V SINGLE	V THREE	Hz	A SINGLE	A THREE	RPM	CAPACITOR uf	Vc	Hm	Suc. m	Input Output	KG	m ³ /h	15	30	50	80	115
* SM300/4 SMT300/4	2.2	3	220	380	50	13.3	4.8	2900	50	450	14	6	4"	34.5	mss	13.5	13	11.5	6	-
* SMT400/4	3	4	-	380	50	-	6.3	2900	-	-	18	6	4"	37		17.5	16	14	8	-
* SMT550/4	4	5.5	-	380	50	-	9.8	2900	-	-	20	6	4"	51		19.5	19	18	14	8

DIMENSIONS

Type	A	B	L	W	E	F	H1	H2	DNA	DNM
SM300/4 SMT300/4	179	75	453	204	141	232	117	298	G 4"	G 4"
SMT400/4	202	75	470	204	141	232	116	292	G 4"	G 4"
SMT550/4	468	76	531	250	220	259	162	365	G 4"	G 4"

* Optionally, it can be manufactured to be used in hot water applications up to 90°C.



SMT1500/4



DEFINITION

These pumps with cast iron body and cast iron impeller are high flow rate and a suction power of up to 6 meter pumps. It is designed for use in the supply and discharge of clean or few dirty water.

These pumps are manufactured at frequencies of 50 Hz and 60 Hz.

USAGE AREAS

These pumps are used in residential areas, industrial facilities, irrigation applications, heating - cooling systems, paint booths, industrial wash machines and water supply and pressurization.

PUMP MATERIAL PROPERTIES

PUMP BODY	GG25 CAST IRON
IMPELLER	GG25 CAST IRON
SHAFT	AISI 304 INOX
FLOW RATE	140 m ³ /hour
TOTAL HEAD	30 m
LIQUID PUMPING TEMPERATURE	0-45°C
PROTECTION CLASS	IP 54
INSULATION	CI.F
SEAL	CERAMIC / CARBON
PUMP DURABILITY PRESSURE (Pmax)	6 bar

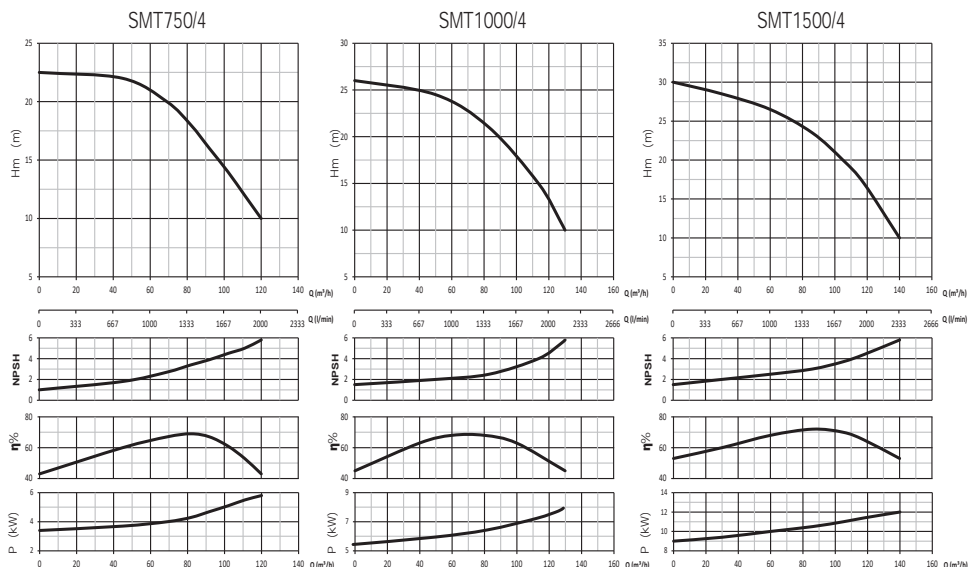
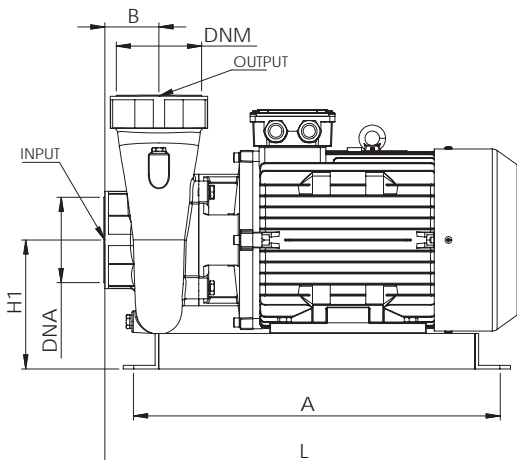
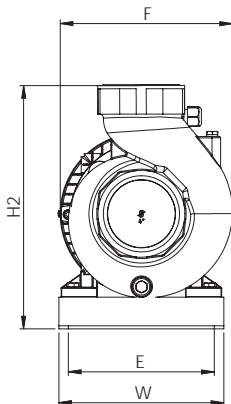
TECHNICAL SPECIFICATIONS

TYPE	MOTOR							PUMP								
	KW	HP	V	Hz	A	RPM	Hm	Suc. m	Input Output	KG	m ³ /h	15	30	50	80	115
* SMT750/4	5.5	7.5	380	50	14	2900	23	6	4"	55	mss	22.5	22	21.5	18	11
* SMT1000/4	7.5	10	380	50	14.7	2900	26	6	4"	73		25.5	25	24	21	14
* SMT1500/4	11	15	380	50	22.5	2900	30	6	4"	82.5		29	28	27	24	17

DIMENSIONS

Type	A	B	L	W	E	F	H1	H2	DNA	DNM
SMT750/4	468	76	531	250	220	259	162	365	G 4"	G 4"
SMT1000/4	516	76	585	260	230	272	182	384	G 4"	G 4"
SMT1500/4	516	76	585	260	230	272	182	384	G 4"	G 4"

*Optionally, it can be manufactured to be used in hot water applications up to 90 °C.



SMK220 - SMKT300



DEFINITION

These pumps with cast iron body and double stage are high altitude and a suction power of up to 6 meter pumps. It is designed for use in the supply and discharge of clean water.

These pumps are manufactured at frequencies of 50 Hz and 60 Hz.

USAGE AREAS

These pumps are used for water supply and pressurization in residential units, industrial facilities, for booster purposes in buildings with a maximum of 6 floors and 30 flats, irrigation applications, heating - cooling systems, social facilities and constructions.

PUMP MATERIAL PROPERTIES

PUMP BODY	GG25 CAST IRON
IMPELLER	NORYL
SHAFT	AISI 304 INOX
FLOW RATE	10 m ³ /hour
TOTAL HEAD	60 m
LIQUID PUMPING TEMPERATURE	0-45°C
PROTECTION CLASS	IP54
INSULATION	CI.F
SEAL	CERAMIC / CARBON
PUMP DURABILITY PRESSURE (Pmax)	9 bar

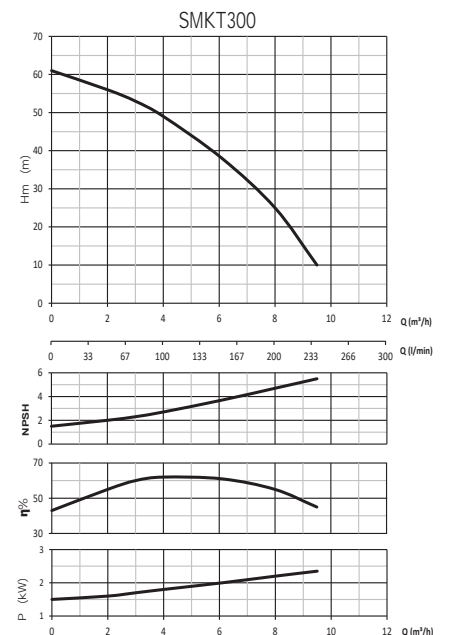
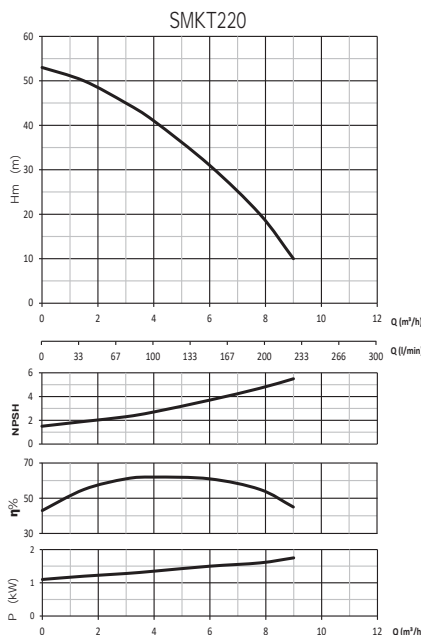
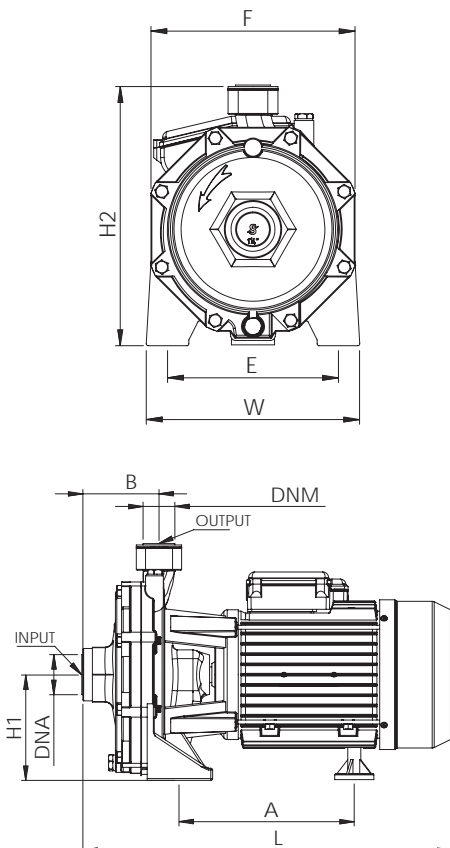
TECHNICAL SPECIFICATIONS

TYPE	MOTOR								PUMP											
	KW	HP	V		Hz	A		RPM	CAPACITOR		Hm	Suc. m	Input Output	KG	m ³ /h	2	4	6	8	10
			SINGLE	THREE		SINGLE	THREE		uf	Vc										
* SMK220 SMKT220	1.6	2.2	220	380	50	10.3	4.5	2900	45	450	53	6	1 1/4 1"	28	ms	49	40	30	19	-
* SMK300	2.2	3	-	380	50	-	4.9	2900	-	-	61	6	1 1/4 1"	28		55	49	38	25	-

DIMENSIONS

Type	A	B	L	W	E	F	H1	H2	DNA	DNM
SMK220 SMKT220	202	88	424	223	179	213	122	271	G 1 1/4"	G 1 1/2"
SMKT300	202	88	424	223	179	213	122	271	G 1 1/4"	G 1 1/2"

*Optionally, it can be manufactured to be used in hot water applications up to 90°C and the impeller can be produced with stainless steel.



SMKT750



DEFINITION

These pumps with cast iron body, cast iron impeller and double stage are high altitude and a suction power of up to 6 meter pumps. It is designed for use in the supply and discharge of clean water.

These pumps are manufactured at frequencies of 50 Hz and 60 Hz.

USAGE AREAS

These pumps are used for water supply and pressurization in residential units, industrial facilities, for booster purposes in buildings with a maximum of 12 floors and 60 flats, irrigation applications, heating - cooling systems, social facilities and constructions.

PUMP MATERIAL PROPERTIES

PUMP BODY	GG25 CAST IRON
IMPELLER	GG25 CAST IRON
SHAFT	AISI 304 INOX
FLOW RATE	16 m ³ /hour
TOTAL HEAD	85 m
LIQUID PUMPING TEMPERATURE	0-45°C
PROTECTION CLASS	IP54
INSULATION	C.I.F
SEAL	CERAMIC / CARBON
PUMP DURABILITY PRESSURE (Pmax)	12 bar

TECHNICAL SPECIFICATIONS

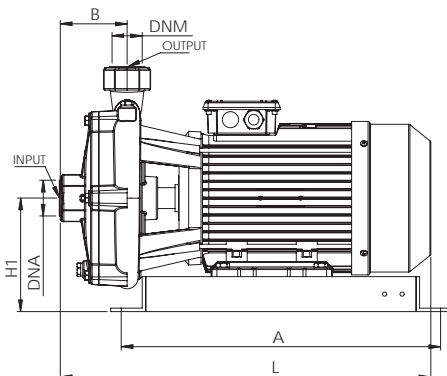
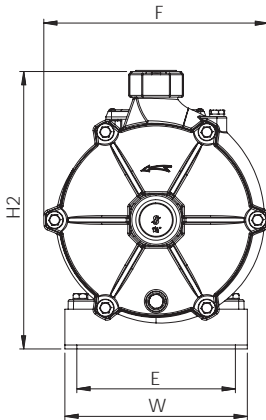
MOTOR								PUMP									
TYPE	KW	HP	V	Hz	A	RPM	Hm	Suc. m	Input	Output	KG	m ³ /h	5	10	13	14	15
* SMKT550	4	5.5	380	50	11	2900	78	6	1 1/2	1 1/2	51	mss	75	69	60	55	45
* SMKT750	5.5	7.5	380	50	14.5	2900	87	6	1 1/2	1 1/2	56		82	79	70	63	55

DIMENSIONS

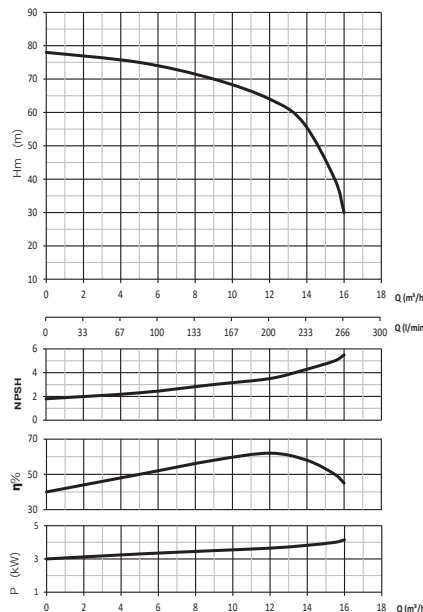
Type	A	B	L	W	E	F	H1	H2	DNA	DNM
SMKT550	456	96	529	229	199	283	163	345	G 1 1/2	G 1 1/2
SMKT750	456	96	529	229	199	283	163	345	G 1 1/2	G 1 1/2

*Optionally, it can be manufactured to be used in hot water applications up to 90 °C and stainless steel impeller.

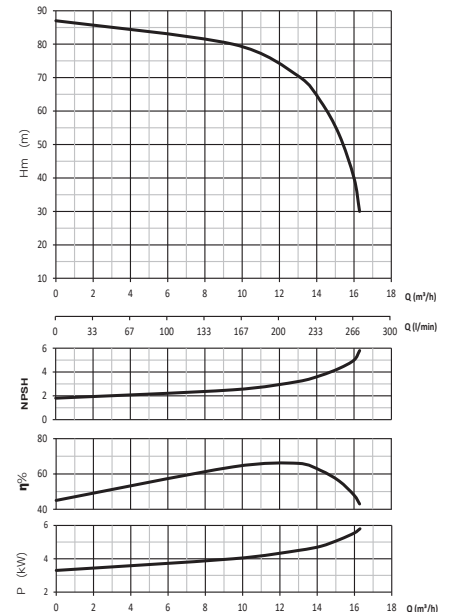
**Optionally, it can be manufactured to be used in hot water applications up to 90 °C and bronze impeller.



SMKT550



SMKT750



SMK300/2



DEFINITION

These pumps with cast iron body, cast iron impeller and double stage are high altitude, high flow rate and a suction power of up to 6 meter pumps. It is designed for use in the supply and discharge of clean water.

These pumps are manufactured at frequencies of 50 Hz and 60 Hz.

USAGE AREAS

These pumps are used in residential areas, industrial facilities, irrigation applications, heating - cooling systems, paint booths, industrial wash machines and water supply and pressurization.

PUMP MATERIAL PROPERTIES

PUMP BODY	GG25 CAST IRON
IMPELLER	GG25 CAST IRON
SHAFT	AISI 304 INOX
FLOW RATE	17 m ³ /hour
TOTAL HEAD	48 m
LIQUID PUMPING TEMPERATURE	0-45°C
PROTECTION CLASS	IP 54
INSULATION	Cl.F
SEAL	CERAMIC / CARBON
PUMP DURABILITY PRESSURE (P _{max})	8 bar

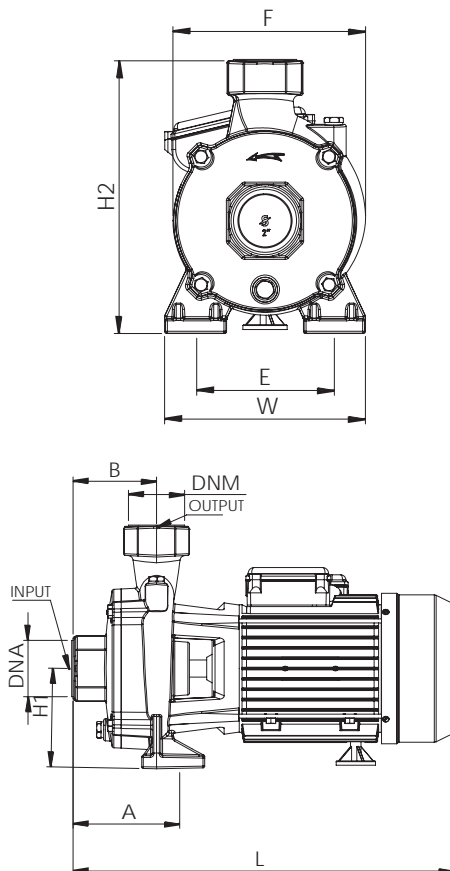
TECHNICAL SPECIFICATIONS

TYPE	MOTOR								PUMP											
	KW	HP	V		Hz	A		RPM	CAPACITOR	Hm	Suc. m	Input Output	KG	m ³ /h	4	8	12	16	20	
* SMK220/2 SMKT220/2	1.6	2.2	220	380	50	11.4	4.5	2900	45	450	42	6	2"	29.5	mss	40	36	30	20	-
* SMK300/2 SMKT300/2	2.2	3	220	380	50	14.8	4.9	2900	50	450	48	6	2"	31		46	42	32	21	-

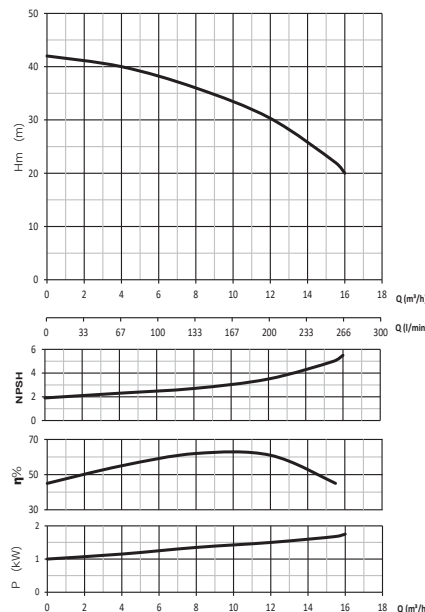
DIMENSIONS

Type	A	B	L	W	E	F	H1	H2	DNA	DNM
SMK220/2	124	95	434	204	141	196	114	277	G 2"	G 2"
SMKT300/2	124	95	434	204	141	196	114	277	G 2"	G 2"

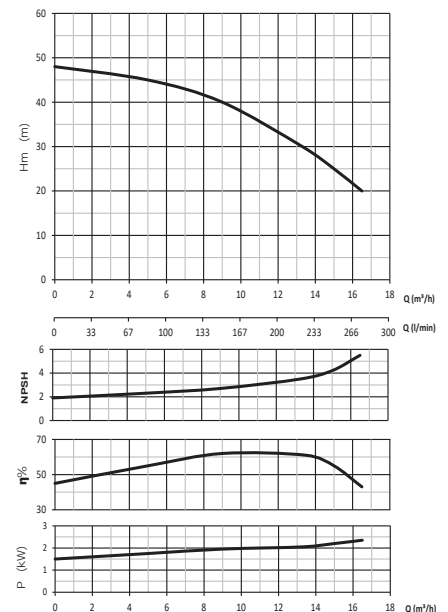
*Optionally, it can be manufactured to be used in hot water applications up to 90 °C.



SMKT220/2



SMKT300/2



SMKT750/2



DEFINITION

These pumps with cast iron body, cast iron impeller and double stage are high altitude, high flow rate and a suction power of up to 6 meter pumps. It is designed for use in the supply and discharge of clean water.

These pumps are manufactured at frequencies of 50 Hz and 60 Hz.

USAGE AREAS

These pumps are used for water supply and pressurization in residential units, industrial facilities, for booster purposes in buildings with a maximum of 6 floors and 115 flats, irrigation applications, heating - cooling systems, social facilities and constructions.

PUMP MATERIAL PROPERTIES

PUMP BODY	GG25 CAST IRON
IMPELLER	GG25 CAST IRON
SHAFT	AISI 304 INOX
FLOW RATE	28 m ³ /hour
TOTAL HEAD	68 m
LIQUID PUMPING TEMPERATURE	0-45°C
PROTECTION CLASS	IP 54
INSULATION	Cl.F
SEAL	CERAMIC / CARBON
PUMP DURABILITY PRESSURE (Pmax)	10 bar

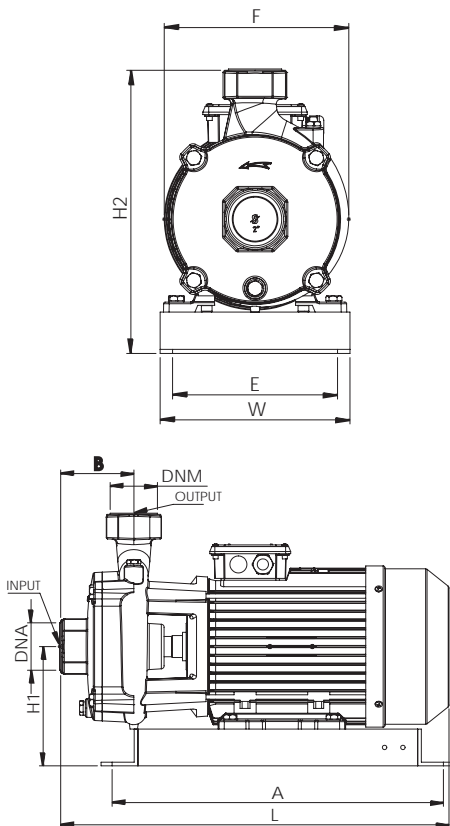
TECHNICAL SPECIFICATIONS

MOTOR								PUMP								
TYPE	KW	HP	V	Hz	A	RPM	Hm	Suc. m	Input Output	KG	m ³ /h	5	10	15	20	25
* SMKT550/2	4	5.5	380	50	9.4	2900	58	6	2"	46	mss	57	55	49	42	30
* SMKT750/2	5.5	7.5	380	50	12.2	2900	68	6	2"	50		66	63	60	53	42

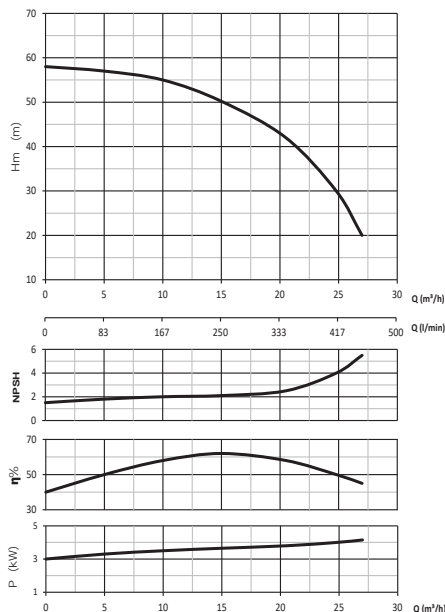
DIMENSIONS

Type	A	B	L	W	E	F	H1	H2	DNA	DNM
SMKT550/2	450	99	527	229	199	222	162	341	G 2"	G 2"
SMKT750/2	450	99	527	229	199	222	162	341	G 2"	G 2"

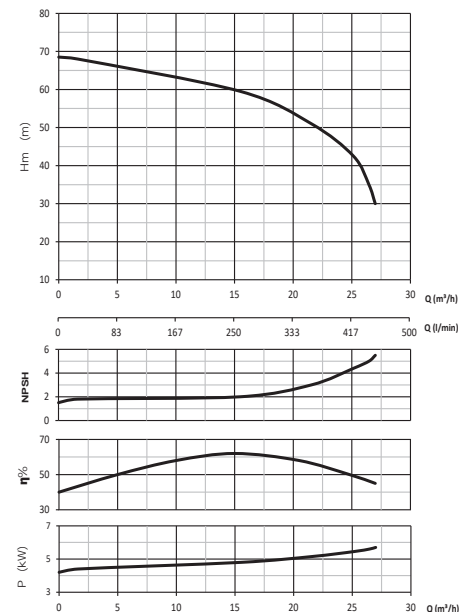
*Optionally, it can be manufactured to be used in hot water applications up to 90 °C.



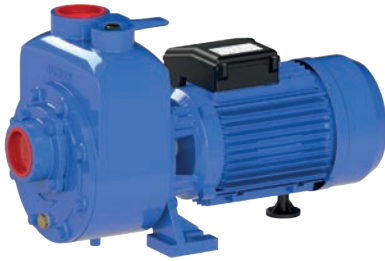
SMKT550/2



SMKT750/2



DSM300/2



DEFINITION

These pumps with cast iron body and cast iron vortex impeller are self-flapped, suction power of up to 6 meters and without air leakage problem pumps. These pumps are designed for use in the discharge of dirty water that does not contain solid particles.

These pumps are manufactured at frequencies of 50 Hz and 60 Hz.

USAGE AREAS

These pumps are used to high flow water needs in residential areas, industrial facilities, agricultural irrigation, discharge of basic water in construction and the ship industry.

PUMP MATERIAL PROPERTIES

PUMP BODY	GG25 CAST IRON
IMPELLER	GG25 CAST IRON
SHAFT	AISI 304 INOX
FLOW RATE	35 m ³ /hour
TOTAL HEAD	24 m
LIQUID PUMPING TEMPERATURE	0-45°C
PROTECTION CLASS	IP 54
INSULATION	CI.F
SEAL	CERAMIC / CARBON
PUMP DURABILITY PRESSURE (Pmax)	6 bar

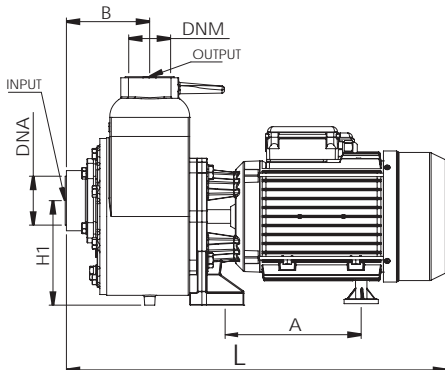
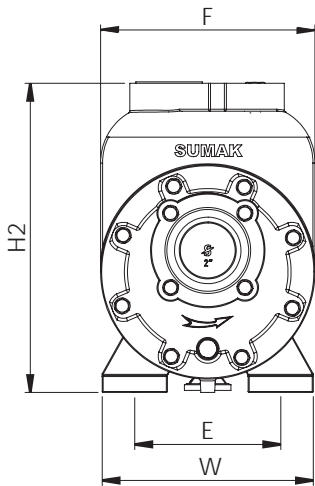
TECHNICAL SPECIFICATIONS

TYPE	MOTOR								PUMP										
	KW	HP	V		Hz	A		RPM	CAPACITOR		Hm	Suc. m	Input Output	KG	m ³ /h	6	12	18	24
* DSM220/2 DSMT220/2	1.6	2.2	220	380	50	11.3	4.7	2900	45	450	20	6	2"	36	mss	19	18	15	11
* DSM300/2 DSMT300/2	2.2	3	220	380	50	14.8	4.9	2900	50	450	24	6	2"	37		23	21	18	13

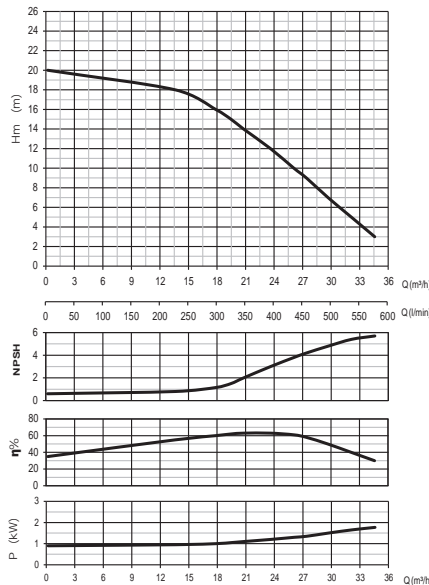
DIMENSIONS

Type	A	B	L	W	E	F	H1	H2	DNA	DNM
DSM220/2 DSMT300/2	179	110	500	204	141	200	137	300	G 2"	G 2"

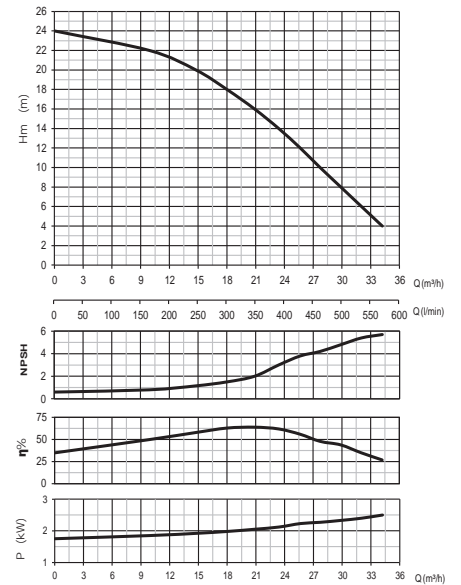
* Optionally, the impeller can be manufactured with bronze.



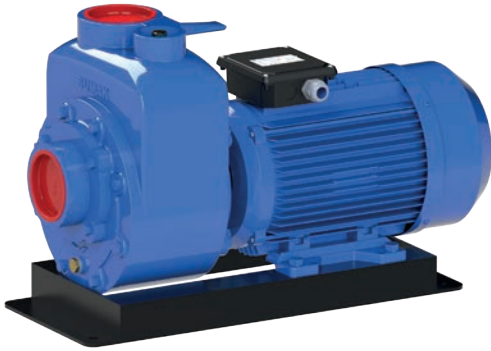
DSM 220/2



DSMT 300/2



DSMT750/3



DEFINITION

These pumps with cast iron body and cast iron vortex impeller are self-flapped, suction power of up to 6 meters and without air leakage problem pumps. These pumps are designed for use in the discharge of dirty water that does not contain solid particles.

These pumps are manufactured at frequencies of 50 Hz and 60 Hz.

USAGE AREAS

These pumps are used to high flow water needs in residential areas, industrial facilities, agricultural irrigation, discharge of basic water in construction and the ship industry.

PUMP MATERIAL PROPERTIES

PUMP BODY	GG25 CAST IRON
IMPELLER	GG25 CAST IRON
SHAFT	AISI 304 INOX
FLOW RATE	65 m ³ /hour
TOTAL HEAD	32 m
LIQUID PUMPING TEMPERATURE	0-45°C
PROTECTION CLASS	IP 54
INSULATION	CI.F
SEAL	CERAMIC / CARBON
PUMP DURABILITY PRESSURE (Pmax)	6 bar

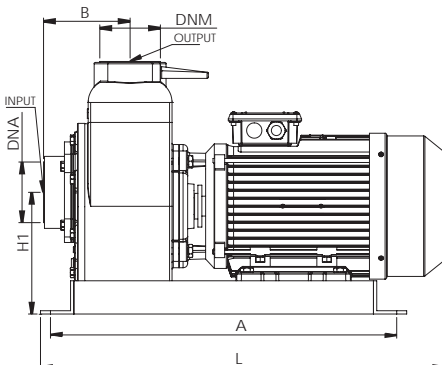
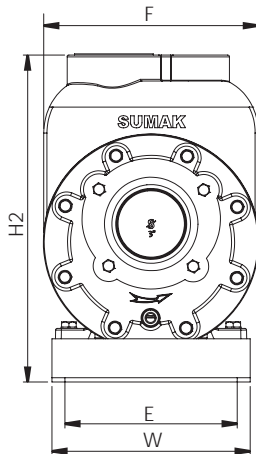
TECHNICAL SPECIFICATIONS

TYPE	MOTOR							PUMP							
	KW	HP	V	Hz	A	RPM	Hm	Suc. m	Input Output	KG	m ³ /h	25	35	45	55
* DSMT550/3	4	5.5	380	50	9	2900	25	6	3"	61	mss	20	15	9	4
* DSMT750/3	5.5	7.5	380	50	12	2900	32	6	3"	65.5		26	22	17	9

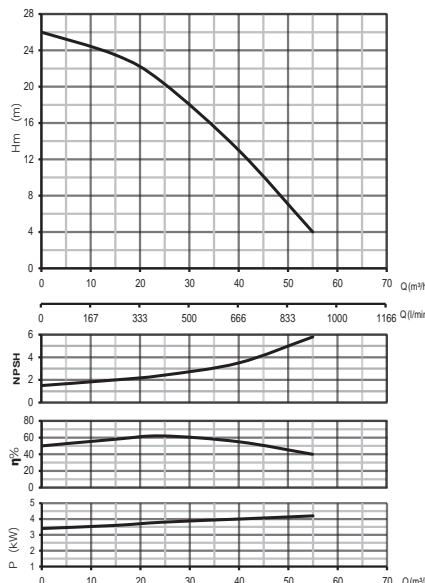
DIMENSIONS

Type	A	B	L	W	E	F	H1	H2	DNA	DNM
DSMT550/3	520	130	607	229	199	248	183	215	G 3"	G 3"
DSMT750/3										

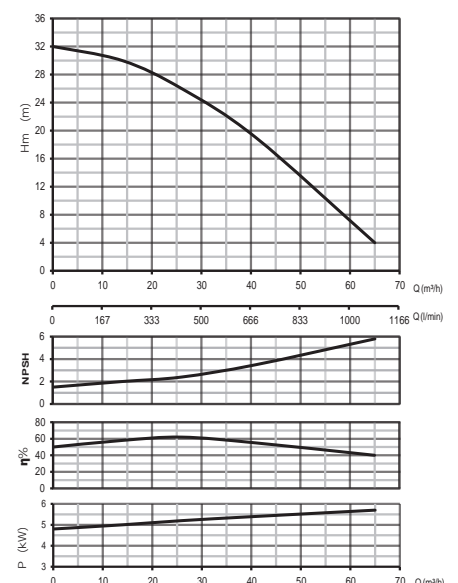
* Optionally, the impeller can be manufactured with bronze.



DSMT 550/3



DSMT 750/3



SMJB-K 150



DEFINITION

These pumps with technopolymer body are easy to portable, silent work and suitable for humid environments. It is designed to provide hot water circulation in jacuzzis.

Monophase model has internal thermal protection and automatic reset. These pumps are manufactured at frequencies of 50 Hz and 60 Hz.

USAGE AREAS

These pumps are used in non-aggressive acidic environments, industrial type dishwashers, jacuzzi pools produced for hydrotherapy and massage purposes, bathtubs and etc. areas, and salt water.

PUMP MATERIAL PROPERTIES

PUMP BODY	PPH
IMPELLER	NORYL
SHAFT	C 1040
FLOW RATE	17 m ³ /hour
TOTAL HEAD	17 m
LIQUID PUMPING TEMPERATURE	0-45°C
PROTECTION CLASS	IP 54
INSULATION	Cl.F
SEAL	CERAMIC / CARBON
PUMP DURABILITY PRESSURE (Pmax)	3 bar

MONOPHASE MODELS HAVE THERMAL PROTECTION AGAINST OVERLOADS.

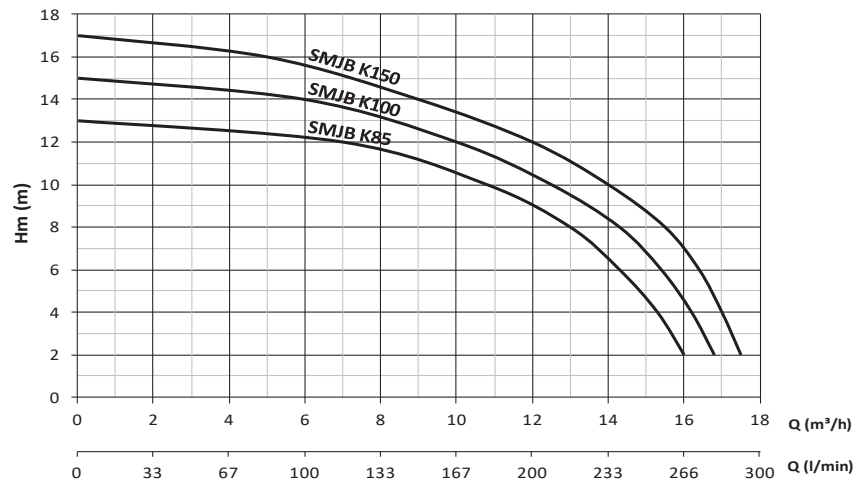
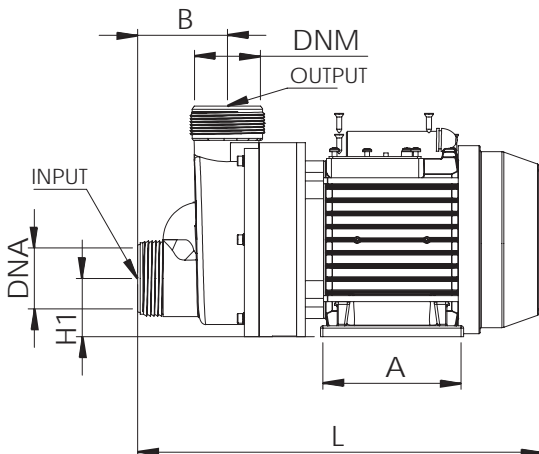
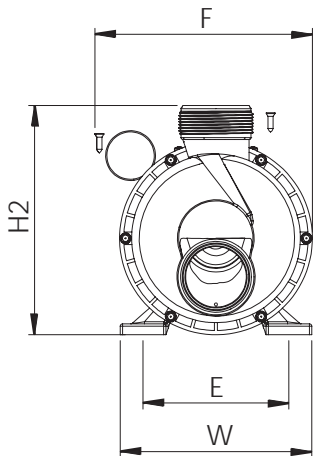
TECHNICAL SPECIFICATIONS

TYPE	MOTOR										PUMP									
	KW	HP	V	Hz	A	RPM	CAPACITOR uf	Vc	Hm	Suc. m	Input Output	KG	m ³ /h	3	6	9	12	16		
* SMJB-K85 SMJB-K85T	0.65	0.85	220	380	50	3.6	2.2	2900	20	450	13	-	1 ^{1/2}	8	mss	12.5	12	11	9	2
* SMJB-K100 SMJB-K100T	0.75	1	220	380	50	4.2	2.4	2900	20	450	15	-	1 ^{1/2}	8.5		14.5	14	12.5	10.5	4
* SMJB-K150 SMJB-K150T	1.1	1.5	220	380	50	5	2.6	2900	25	450	17	-	1 ^{1/2}	9.5		16.5	15.5	14	12	7

DIMENSIONS

Type	A	B	L	W	E	F	H1	H2	DNA	DNM
SMJB-K85 SMJB-K85T	114	74	334	159	121	181	48	190	G 1 ^{1/2}	G 1 ^{1/2}
SMJB-K100 SMJB-K100T	114	74	334	159	121	181	48	190	G 1 ^{1/2}	G 1 ^{1/2}
SMJB-K150 SMJB-K150T	114	74	334	159	121	181	48	190	G 1 ^{1/2}	G 1 ^{1/2}

*Optionally, the pump inlets and outlets can be produced as 2", 1 1/4" and 1 1/2".



SMH300



DEFINITION

These pumps with technopolymer body are pressure resistant, self-priming, silent and large pre-filter pumps. The transparent cover and easy to clean filter make the pump easy to use.

SMH 85 and SMH 120 models have internal thermal protection and automatic reset.

These pumps are manufactured at frequencies of 50 Hz and 60 Hz.

USAGE AREAS

These pumps are used in spas, in the circulation of semi-olympic and sunken type swimming pools between 30 - 270 m³ and in salt water.

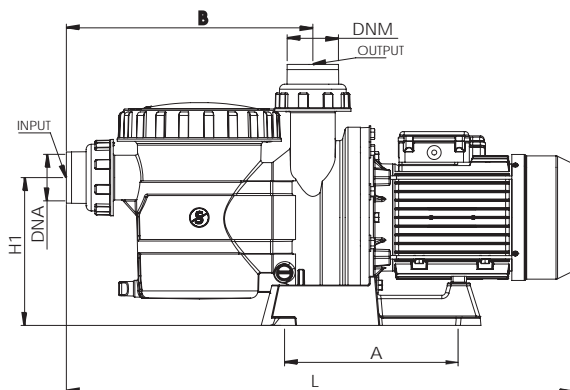
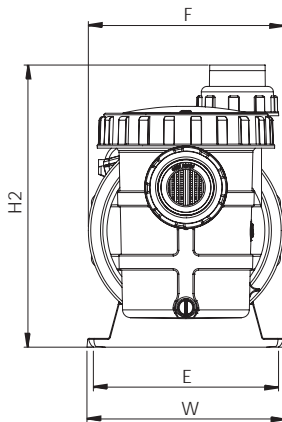
PUMP MATERIAL PROPERTIES

PUMP BODY	PPH
IMPELLER	NORYL
SHAFT	AISI 304 INOX
FLOW RATE	35 m ³ /hour
TOTAL HEAD	22 m
LIQUID PUMPING TEMPERATURE	0-45°C
PROTECTION CLASS	IP 54
INSULATION	Cl.F
SEAL	CERAMIC / CARBON
PUMP DURABILITY PRESSURE (Pmax)	3 bar

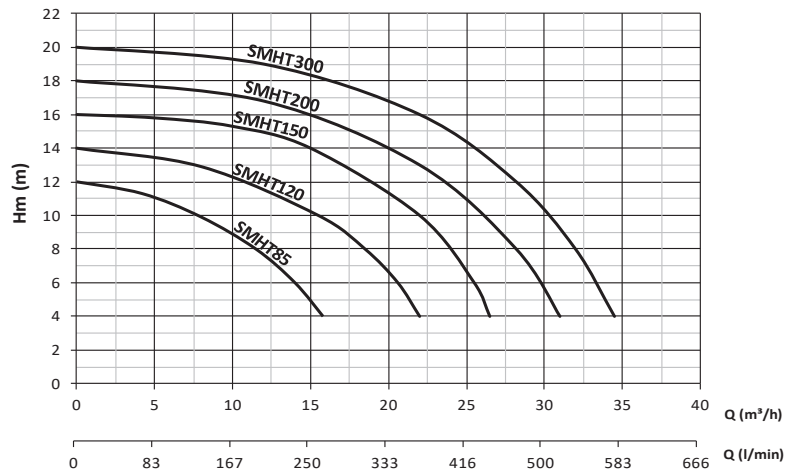
SMH85 AND SMH120 MODELS HAVE THERMAL PROTECTION AGAINST OVERLOADS.

TECHNICAL SPECIFICATIONS

MOTOR											PUMP									
TYPE	KW	HP	V	Hz	A	RPM	CAPACITOR	Hm	Suc. m	Input Output	KG	m ³ /h	5	10	15	20	30			
			SINGLE	THREE	SINGLE	THREE	uf	Vc												
SMH85 SMHT85	0.65	0.85	220	380	50	3.75	1.7	2900	20	450	12	6	2"	15	mss	11	9	5	-	-
SMH120 SMHT120	0.9	1.2	220	380	50	5.5	2	2900	25	450	14	6	2"	16.5		13.5	12	10	7	-
SMH150 SMHT150	1.1	1.5	220	380	50	8	2.8	2900	40	450	16	6	2"	20.5		15.5	15	14	11.5	-
SMH200 SMHT200	1.5	2	220	380	50	9.8	4.4	2900	45	450	18	6	2"	22		17.5	17	16	14	6
SMH300 SMHT300	2.2	3	220	380	50	13.7	4.9	2900	50	450	20	6	2"	23.5		19.5	19	18	17	10



DIMENSIONS										
Type	A	B	L	W	E	F	H1	H2	DNA	DNM
SMH85 SMHT85	252	337	615	250	234	247	202	357	G 2"	G 2"
SMH120 SMHT120	252	337	615	250	234	247	202	357	G 2"	G 2"
SMH150 SMHT150	237	337	692	250	234	247	202	357	G 2"	G 2"
SMH200 SMHT200	237	337	692	250	234	247	202	357	G 2"	G 2"
SMH300 SMHT300	237	337	692	250	234	247	202	357	G 2"	G 2"



SMINOX/150-4



DEFINITION

These pumps with stainless steel body are multistage, high altitude, easily to portable pumps. It is designed for use in clean water supply.

Monophase model has internal thermal protection and automatic reset.

These pumps are manufactured at frequencies of 50 Hz and 60 Hz.

USAGE AREAS

These pumps are used for water supply and pressurization in residential units, industrial facilities, for booster purposes in buildings with a maximum of 5 floors and 12 flats, irrigation applications, heating - cooling systems, social facilities and constructions.

PUMP MATERIAL PROPERTIES

PUMP BODY	AISI 304 INOX
IMPELLER	NORYL
SHAFT	AISI 304 INOX
FLOW RATE	7.2 m ³ /hour
TOTAL HEAD	55 m
LIQUID PUMPING TEMPERATURE	0-45°C
PROTECTION CLASS	IP 54
INSULATION	Cl.F
SEAL	CERAMIC / CARBON
PUMP DURABILITY PRESSURE (Pmax)	8 bar

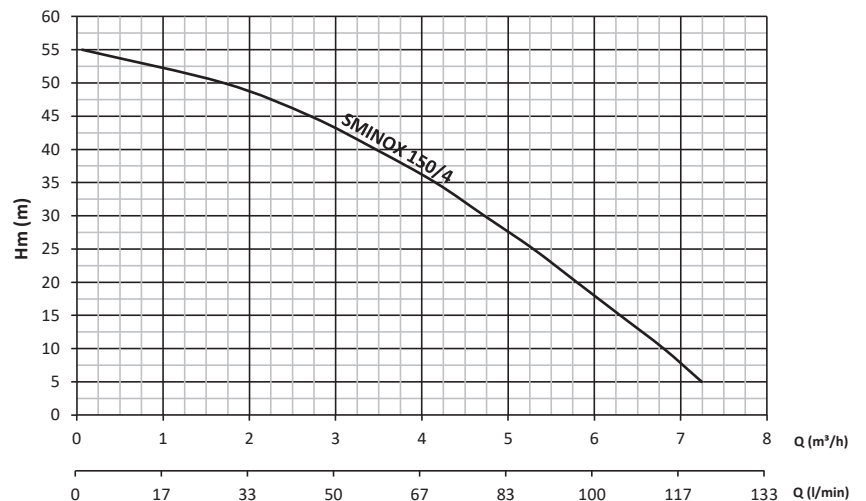
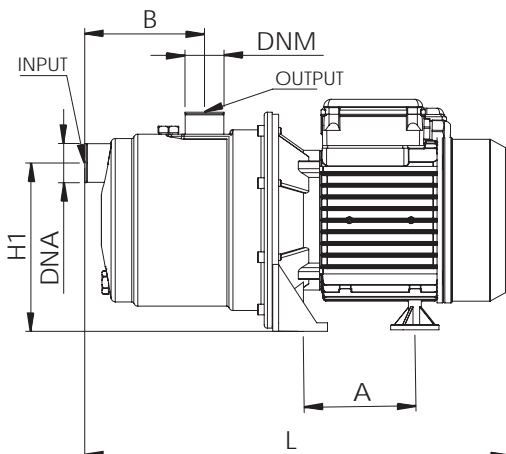
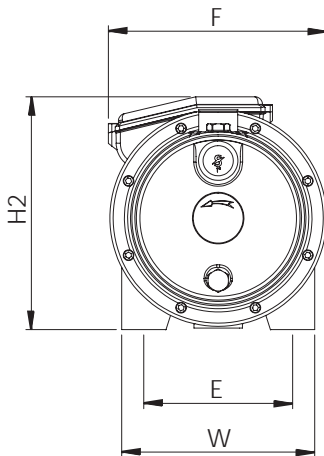
MONOPHASE MODELS HAVE THERMAL PROTECTION AGAINST OVERLOADS.

TECHNICAL SPECIFICATIONS

MOTOR										PUMP										
TYPE	KW/HP	V		Hz		A		RPM	CAPACITOR		Hm	Suc. m	Input Output	KG	m ³ /h	1	2	3	5	6
		SINGLE	THREE	SINGLE	THREE	UF	VC													
SMINOX/150-4 SMINOX/150-4T	1.1 / 1.5	220	380	50	6	2.7	2900	25	450	55	-	1"	13	53	48	43	28	18		

DIMENSIONS

Type	A	B	L	W	E	F	H1	H2	DNA	DNM
SMINOX/150-4 SMINOX/150-4T	104	112	396	179	138	203	157	216	G 1"	G 1"



SMINOX12/300-3T



DEFINITION

These pumps with stainless steel body and stainless steel impeller are multistage and high altitude pumps. All surfaces in contact with water are made of stainless steel.

It is designed for use in clean water, less corrosive industrial and chemical liquids.

These pumps are manufactured at frequencies of 50 Hz and 60 Hz.

USAGE AREAS

These pumps are used for water supply and pressurization in residential units, industrial facilities, for booster purposes in buildings with a maximum of 10 floors and 20 flats, irrigation applications, heating-cooling systems, social facilities and constructions.

PUMP MATERIAL PROPERTIES

PUMP BODY	AISI 304 INOX
IMPELLER	AISI 304 INOX
SHAFT	AISI 304 INOX
FLOW RATE	12 m ³ /hour
TOTAL HEAD	70 m
LIQUID PUMPING TEMPERATURE	0-45°C
PROTECTION CLASS	IP 54
INSULATION	Cl.F
SEAL	CERAMIC / CARBON
PUMP DURABILITY PRESSURE (Pmax)	10 bar

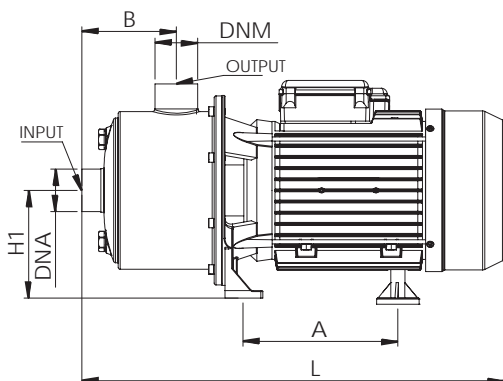
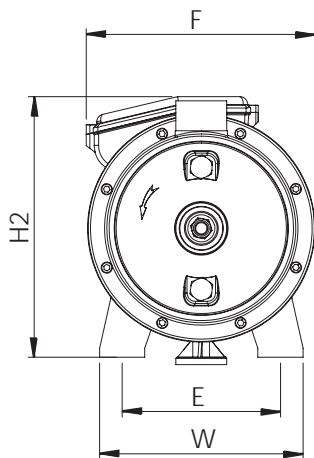
TECHNICAL SPECIFICATIONS

MOTOR											PUMP										
TYPE	KW	HP	V		Hz		A		RPM	CAPACITOR		Hm	Suc. m	Input Output	KG	m ³ /h	2	4	6	8	10
			SINGLE	THREE	SINGLE	THREE	uf	Vc													
* SMINOX12/220-2	1.6	2.2	220	-	50	11	-	2900	45	450	50	6	1 1/4 1 1/4	22	mss	47	42	37	32	22	
* SMINOX12/220-2T	1.6	2.2	-	380	50	-	3.5	2900	-	-	50	6	1 1/4 1 1/4	22		47	42	37	32	22	
* SMINOX12/300-3T	2.2	3	-	380	50	-	5	2900	-	-	70	6	1 1/4 1 1/4	24		65	58	50	40	28	

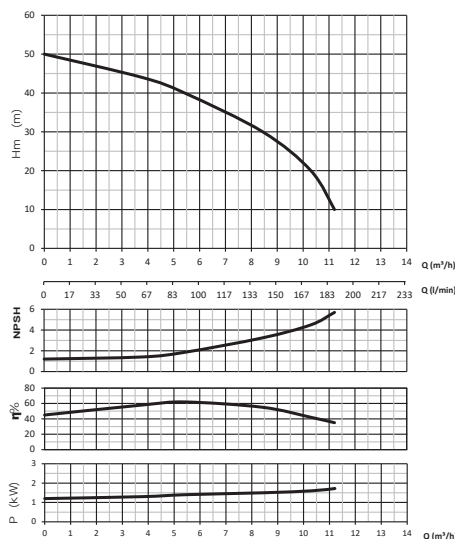
DIMENSIONS

Type	A	B	L	W	E	F	H1	H2	DNA	DNM
SMINOX 12/220-2 SMINOX 12/220-2T	164	100	447	180	140	202	114	231	G 1 ^{1/4}	G 1 ^{1/4}
SMINOX 12/300-3T	164	100	447	180	140	202	114	231	G 1 ^{1/4}	G 1 ^{1/4}

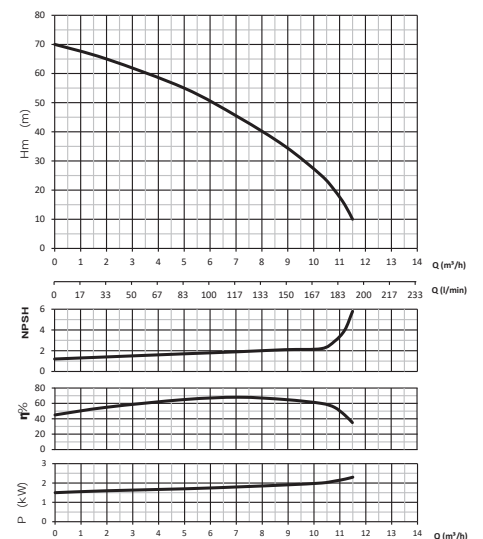
*Optionally, it can be manufactured to be used in hot water applications up to 90°C.



SMINOX 12/220-2



SMINOX 12/300-3



SMINOX/A-100/1

New Product



DEFINITION

These pumps with stainless steel body and stainless steel vortex impeller are easy to portable pumps. All surfaces in contact with water are made of stainless steel.

It is designed for use in clean water, less corrosive industrial and chemical liquids.

These pumps are manufactured at frequencies of 50 Hz and 60 Hz.

USAGE AREAS

These pumps are used in industrial facilities, food industry, sea water applications, cooling systems, energy facilities, chemical liquids, water supply from wells and tanks, drinking water and filling facilities, purification systems, hospitals and hygienic environments.

PUMP MATERIAL PROPERTIES

PUMP BODY	AISI 304 INOX (AISI 316 INOX)
IMPELLER	AISI 304 INOX (AISI 316 INOX)
SHAFT	AISI 304 INOX (AISI 316 INOX)
FLOW RATE	9.5 m ³ /hour
TOTAL HEAD	12.5 m
LIQUID PUMPING TEMPERATURE	0-45°C
PROTECTION CLASS	IP 54
INSULATION	Cl.F
SEAL	CERAMIC / CARBON
PUMP DURABILITY PRESSURE (Pmax)	4 bar

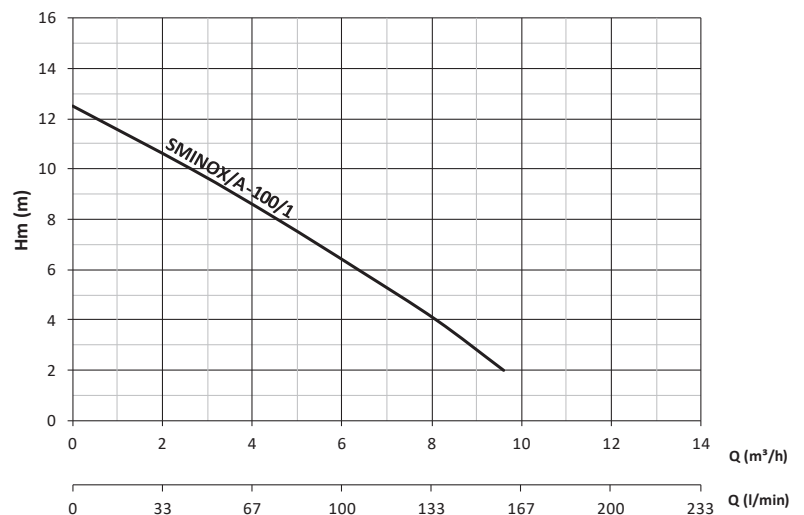
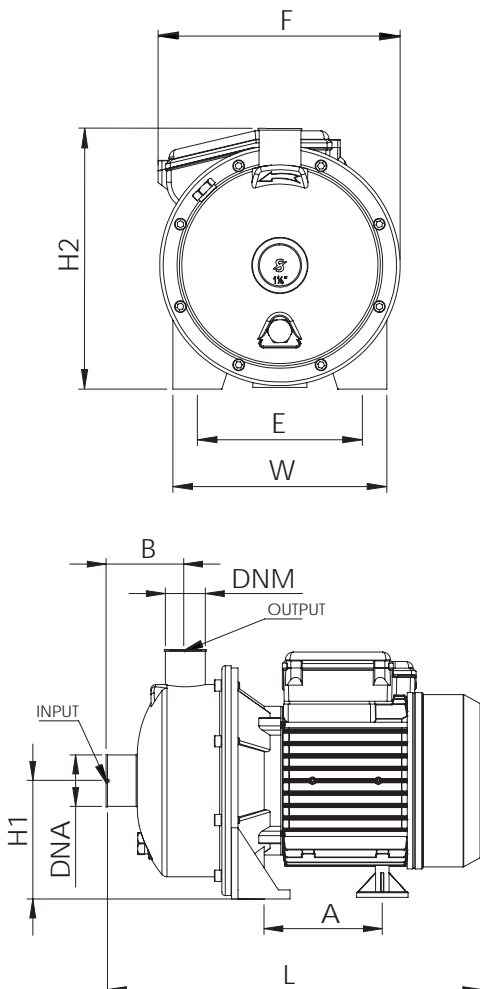
TECHNICAL SPECIFICATIONS

TYPE	MOTOR								PUMP							
	KW/HP	V	Hz	A	RPM	CAPACITOR	Hm	Suc. m	Input Output	KG	m ³ /h	1	3	5	7	9
* SMINOX/A-100/1 SMINOX/A-100/1T	0.75/1	220/380	50	5/2.4	2900	20/450	12.5	-	1" 1"	10.5	m ³ s	11.5	9.5	7.5	5	3

Type	DIMENSIONS									
	A	B	L	W	E	F	H1	H2	DNA	DNM
SMINOX/A-100/1 SMINOX/A-100/1T	104	72	330	179	138	203	104	216	G 1 ^{1/4}	G 1"

*Optionally, it can be manufactured to be used in hot water applications up to 90 °C.

*Optionally, it can be manufactured with AISI 316 stainless steel.



SMINOX/K-150/1

New Product



DEFINITION

These pumps with stainless steel body and stainless steel vortex impeller are easy to portable pumps. All surfaces in contact with water are made of stainless steel.

It is designed for use in clean water, less corrosive industrial and chemical liquids.

These pumps are manufactured at frequencies of 50 Hz and 60 Hz.

USAGE AREAS

These pumps are used in industrial facilities, food industry, sea water applications, cooling systems, energy facilities, chemical liquids, water supply from wells and tanks, drinking water and filling facilities, purification systems, hospitals and hygienic environments.

PUMP MATERIAL PROPERTIES

PUMP BODY	AISI 304 INOX (AISI 316 INOX)
IMPELLER	AISI 304 INOX (AISI 316 INOX)
SHAFT	AISI 304 INOX (AISI 316 INOX)
FLOW RATE	8 m ³ /hour
TOTAL HEAD	26 m
LIQUID PUMPING TEMPERATURE	0-45°C
PROTECTION CLASS	IP 54
INSULATION	Cl.F
SEAL	CERAMIC / CARBON
PUMP DURABILITY PRESSURE (Pmax)	4 bar

TECHNICAL SPECIFICATIONS

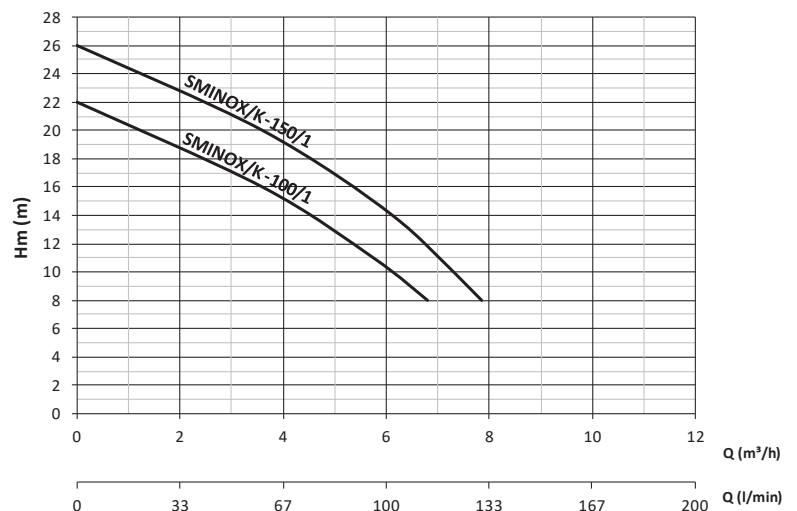
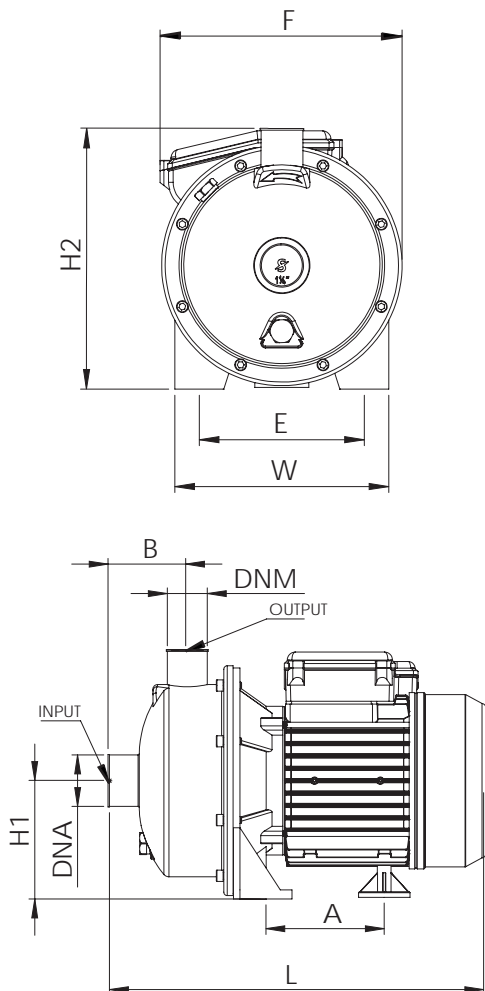
MOTOR											PUMP								
TYPE	KW/HP	V		Hz	A		RPM	CAPACITOR		Hm	Suc. m	Input Output	KG	m ³ /h	2	3	4	6	8
		SINGLE	THREE		SINGLE	THREE		uf	Vc										
* SMINOX/K-100/1 SMINOX/K-100/1T	0.75 1	220	380	50	5.2	2.4	2900	20	450	22	6	1 ^{1/4} 1 ^{1/2}	11	mss	19	17	15	10	-
* SMINOX/K-150/1 SMINOX/K-150/1T	1.1 1.5	220	380	50	6.1	2.6	2900	25	450	26	6	1 ^{1/4} 1 ^{1/2}	12		23	21	19	14	6

DIMENSIONS

Type	A	B	L	W	E	F	H1	H2	DNA	DNM
SMINOX/K-100/1 SMINOX/K-100/1T	104	72	330	179	138	203	104	216	G 1 ^{1/4}	G 1"
SMINOX/K-150/1 SMINOX/K-150/1T	104	72	330	179	138	203	104	216	G 1 ^{1/4}	G 1"

*Optionally, it can be manufactured to be used in hot water applications up to 90 °C.

*Optionally, it can be manufactured with AISI 316 stainless steel.



SMINOX/K-220-1

New Product



DEFINITION

These pumps with stainless steel body and stainless steel vortex impeller are easy to portable pumps. All surfaces in contact with water are made of stainless steel.

It is designed for use in clean water, less corrosive industrial and chemical liquids. These pumps are manufactured at frequencies of 50 Hz and 60 Hz.

USAGE AREAS

These pumps are used in industrial facilities, food industry, sea water applications, cooling systems, energy facilities, chemical liquids, water supply from wells and tanks, drinking water and filling facilities, purification systems, hospitals and hygienic environments.

PUMP MATERIAL PROPERTIES

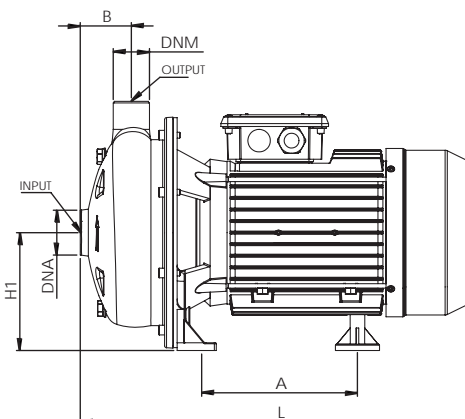
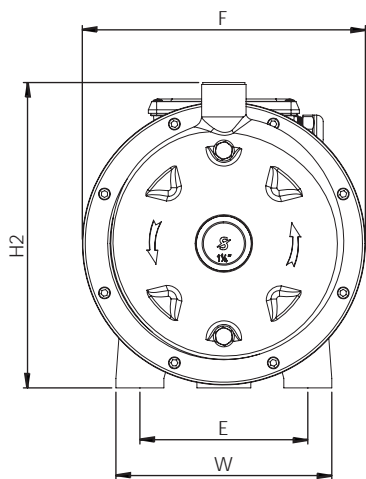
PUMP BODY	AISI 304 INOX
IMPELLER	AISI 304 INOX
SHAFT	AISI 304 INOX
FLOW RATE	13.5 m ³ /hour
TOTAL HEAD	38 m
LIQUID PUMPING TEMPERATURE	0 - 45°C
PROTECTION CLASS	IP 54
INSULATION	Cl.F
SEAL	CERAMIC / CARBON
PUMP DURABILITY PRESSURE (Pmax)	4 bar

TECHNICAL SPECIFICATIONS

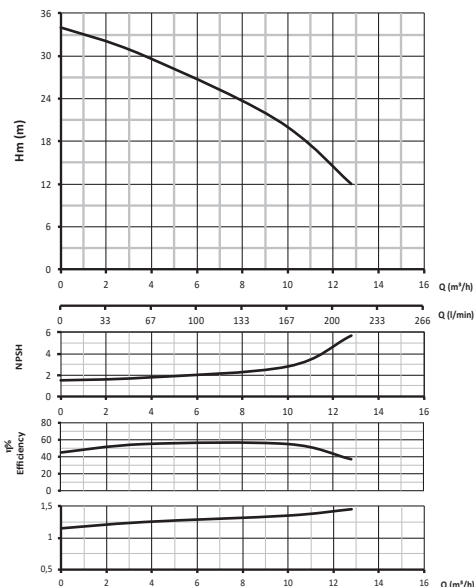
MOTOR										PUMP										
TYPE	KW	HP	V		Hz	A		RPM	CAPACITOR		Hm	Suc. m	Input Output	KG	m ³ /h	2	4	7	9	12
			SINGLE	THREE		SINGLE	THREE		uf	Vc										
SMINOX/K-180/1	1.35	1.8	220	380	50	9.6	3.6	2900	40	450	34	6	1 ^{1/4} 1"	19.3	mss	32	29	27	21.5	15
SMINOX/K-220/1	1.6	2.2	220	380	50	11.3	4.5	2900	45	450	38	6	1 ^{1/4} 1"	21		36	34	31	27	21

DIMENSIONS

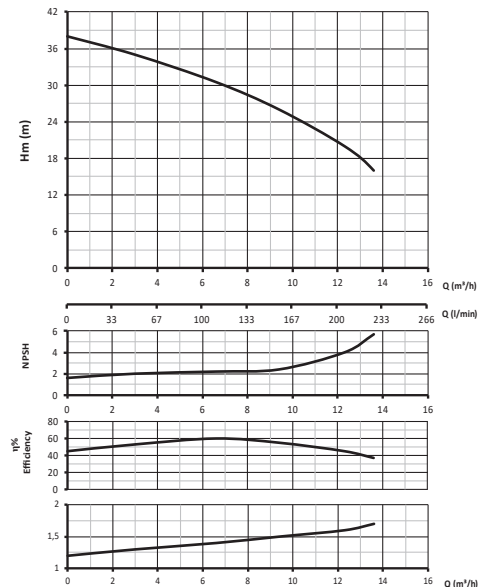
Type	A	B	L	W	E	F	H1	H2	DNA	DNM
SMINOX/K-180/1	165	52	395	180	140	236	120	254	G 1 ^{1/4}	G 1"
SMINOX/K-220/1	165	52	395	180	140	236	120	254	G 1 ^{1/4}	G 1"



SMINOX/K-180/1



SMINOX/K-220/1



SMINOX/A-150



DEFINITION

These pumps with stainless steel body and stainless steel vortex impeller are easy to portable pumps. All surfaces in contact with water are made of stainless steel.

It is designed for use in clean water, less corrosive industrial and chemical liquids.

These pumps are manufactured at frequencies of 50 Hz and 60 Hz.

USAGE AREAS

These pumps are used in industrial facilities, food industry, sea water applications, cooling systems, energy facilities, chemical liquids, water supply from wells and tanks, drinking water and filling facilities, purification systems, hospitals and hygienic environments.

PUMP MATERIAL PROPERTIES

PUMP BODY	AISI 304 INOX (AISI 316 INOX)
IMPELLER	AISI 304 INOX (AISI 316 INOX)
SHAFT	AISI 304 INOX (AISI 316 INOX)
FLOW RATE	24 m ³ /hour
TOTAL HEAD	15.5 m
LIQUID PUMPING TEMPERATURE	0-45°C
PROTECTION CLASS	IP 54
INSULATION	Cl.F
SEAL	CERAMIC / CARBON
PUMP DURABILITY PRESSURE (Pmax)	4 bar

MONOPHASE MODELS HAVE THERMAL PROTECTION AGAINST OVERLOADS

TECHNICAL SPECIFICATIONS

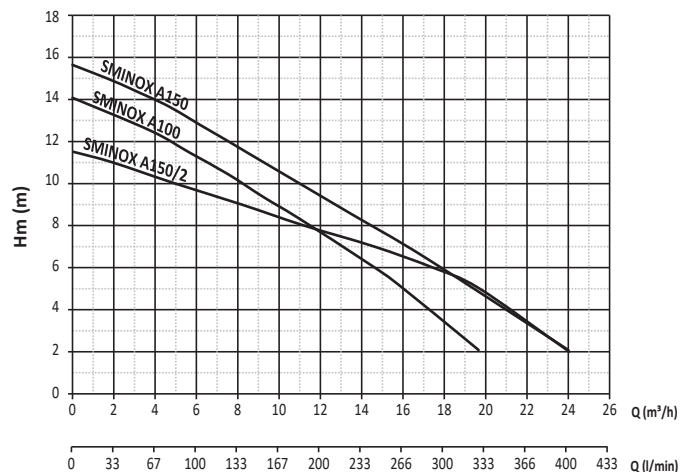
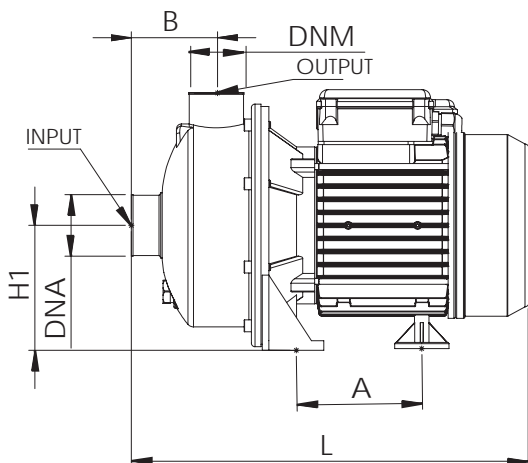
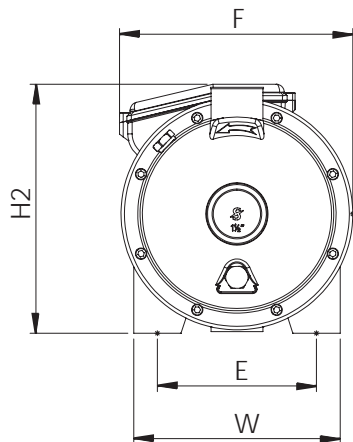
TYPE	MOTOR								PUMP											
	KW	HP	V		Hz		A		RPM	CAPACITOR		Hm	Suc. m	Input Output	KG	m ³ /h	3	6	9	12
* SMINOX / A-100 SMINOX / A-100 T	0.75	1	220	380	50	5.2	2.4	2900	20	450	13	-	1 1/2 1 1/4	11	mss	12.5	11	9.5	7.5	4
* SMINOX / A-150 SMINOX / A-150 T	1.1	1.5	220	380	50	5.5	2.5	2900	25	450	15	-	1 1/2 1 1/4	11.5		14	12.5	11	9	6
* SMINOX / A-150/2 SMINOX / A-150/2 T	1.1	1.5	220	380	50	6.2	2.6	2900	25	450	11.5	-	2"	11.5		11	10	9	7.5	6

DIMENSIONS

Type	A	B	L	W	E	F	H1	H2	DNA	DNM
SMINOX/A-100 SMINOX/A-100T	104	72	329	179	138	203	104	216	G 1 1/2	G 1 1/4
SMINOX/A150 SMINOX/A150-T	104	72	329	179	138	203	104	216	G 1 1/2	G 1 1/4
SMINOX / A-150/2 SMINOX/A-150/2T	104	78	347	179	138	203	104	219	G 2"	G 2"

*Optionally, it can be manufactured to be used in hot water applications up to 90 °C.

*Optionally, it can be manufactured with AISI 316 stainless steel.



SMINOX/K-150



DEFINITION

These pumps with stainless steel body and stainless steel vortex impeller are easy to portable pumps. All surfaces in contact with water are made of stainless steel.

It is designed for use in clean water, less corrosive industrial and chemical liquids.

These pumps are manufactured at frequencies of 50 Hz and 60 Hz.

USAGE AREAS

These pumps are used in industrial facilities, food industry, sea water applications, cooling systems, energy facilities, chemical liquids, water supply from wells and tanks, drinking water and filling facilities, purification systems, hospitals and hygienic environments.

PUMP MATERIAL PROPERTIES

PUMP BODY	AISI 304 INOX (AISI 316 INOX)
IMPELLER	AISI 304 INOX (AISI 316 INOX)
SHAFT	AISI 304 INOX (AISI 316 INOX)
FLOW RATE	27 m ³ /hour
TOTAL HEAD	18,5 m
LIQUID PUMPING TEMPERATURE	0-45°C
PROTECTION CLASS	IP 54
INSULATION	Cl.F
SEAL	CERAMIC / CARBON
PUMP DURABILITY PRESSURE (Pmax)	4 bar

MONOPHASE MODELS HAVE THERMAL PROTECTION AGAINST OVERLOADS.

TECHNICAL SPECIFICATIONS

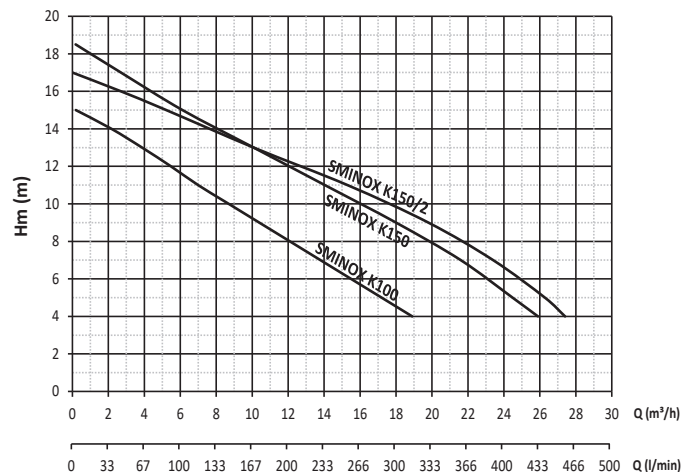
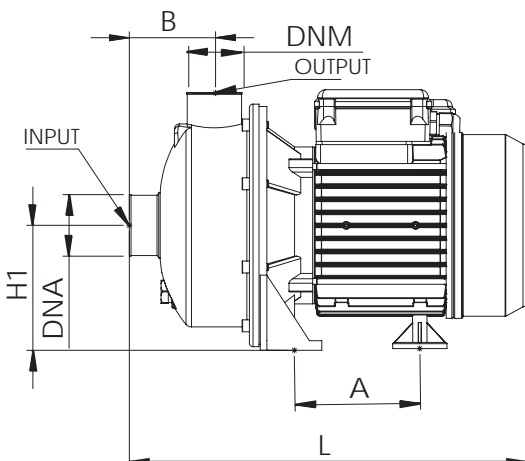
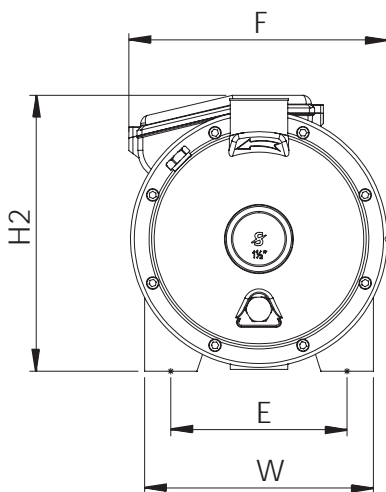
TYPE	MOTOR								PUMP											
	KW	HP	V		Hz	A		RPM	CAPACITOR uf	Vc	Hm	Suc. m	Input Output	KG	m ³ /h	3	6	9	12	17
* SMINOX / K-100 SMINOX / K-100T	0.75	1	220	380	50	5.2	2.4	2900	20	450	15	6	1 1/2 1 1/4	11	mss	13	11	10	8	5
* SMINOX / K-150 SMINOX / K-150T	1.1	1.5	220	380	50	5.6	2.6	2900	25	450	19	6	1 1/2 1 1/4	11.5		17	15	13.5	12	9
* SMINOX / K-150/2 SMINOX / K-150/2T	1.1	1.5	220	380	50	6.2	2.6	2900	25	450	17	6	2"	11.5		16	15	13.5	12	10

DIMENSIONS

Type	A	B	L	W	E	F	H1	H2	DNA	DNM
SMINOX/K-100 SMINOX/K-100T	104	72	329	179	138	203	104	216	G 1 ^{1/2}	G 1 ^{1/4}
SMINOX/K-150 SMINOX/K-150T	104	72	329	179	138	203	104	216	G 1 ^{1/2}	G 1 ^{1/4}
SMINOX/K-150/2 SMINOX/K-150/2T	104	78	347	179	138	203	104	219	G 2"	G 2"

*Optionally, it can be manufactured to be used in hot water applications up to 90 °C.

*Optionally, it can be manufactured with AISI 316 stainless steel.



SMINOX/A-400/2T



DEFINITION

These pumps with stainless steel body and stainless steel vortex impeller are easy to portable pumps. All surfaces in contact with water are made of stainless steel.

It is designed for use in clean water, less corrosive industrial and chemical liquids. These pumps are manufactured at frequencies of 50 Hz and 60 Hz.

USAGE AREAS

These pumps are used in industrial facilities, food industry, sea water applications, cooling systems, energy facilities, chemical liquids, water supply from wells and tanks, drinking water and filling facilities, purification systems, hospitals and hygienic environments.

PUMP MATERIAL PROPERTIES

PUMP BODY	AISI 304 INOX (AISI 316 INOX)
IMPELLER	AISI 304 INOX (AISI 316 INOX)
SHAFT	AISI 304 INOX (AISI 316 INOX)
FLOW RATE	58 m ³ /hour
TOTAL HEAD	19 m
LIQUID PUMPING TEMPERATURE	0-45°C
PROTECTION CLASS	IP 54
INSULATION	CI.F
SEAL	CERAMIC / CARBON
PUMP DURABILITY PRESSURE (P _{max})	4 bar

TECHNICAL SPECIFICATIONS

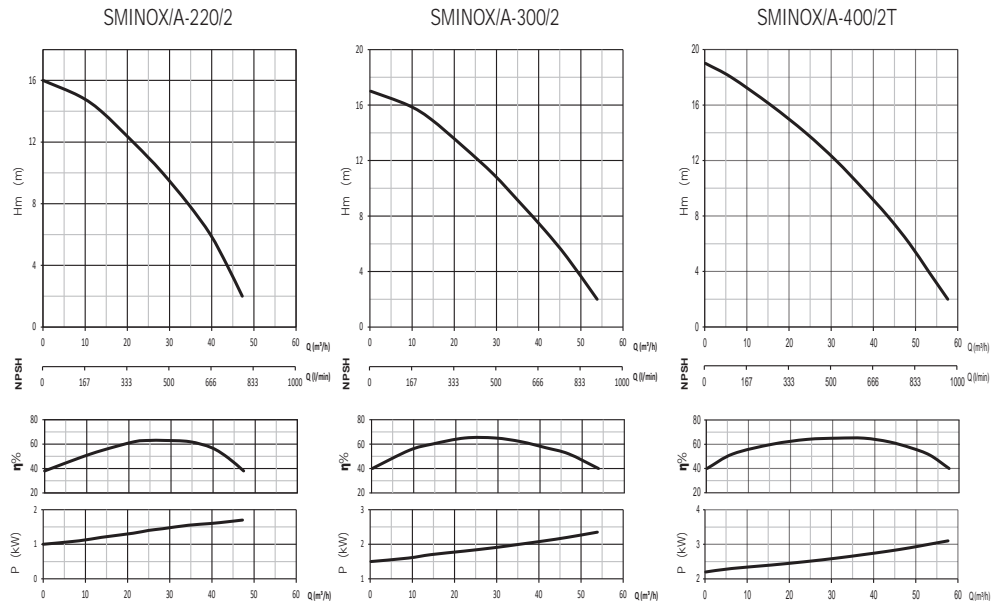
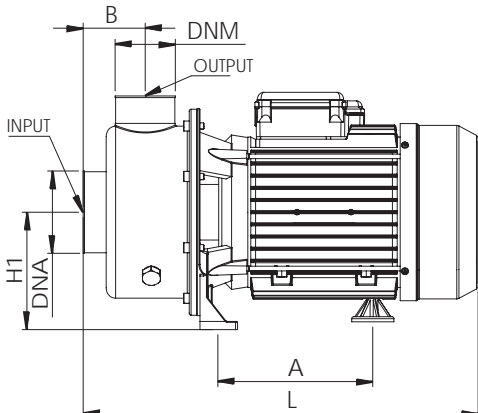
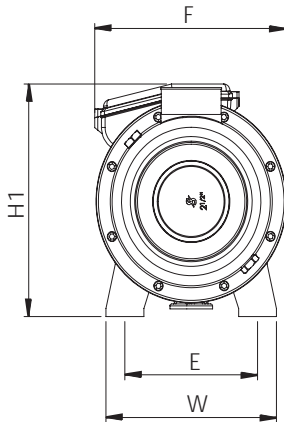
TYPE	MOTOR				PUMP															
	KW	HP	V SINGLE	V THREE	Hz	A SINGLE	A THREE	RPM	CAPACITOR Uf	Vc	Hm	Suc. m	Input Output	KG	m ³ /h	5	15	25	35	50
* SMINOX/A-220/2 SMINOX/A-220/2T	1.6	2.2	220	380	50	11.8	4.3	2900	45	450	16	-	2 1/2" / 2"	20	mss	15.5	13.5	11	7.5	-
* SMINOX/A-300/2 SMINOX/A-300/2T	2.2	3	220	380	50	13.6	5	2900	50	450	17	-	2 1/2" / 2"	21.5		16.5	15	12.5	9	4
* SMINOX/A-400/2T	3	4	-	380	50	-	6	2900	-	-	19	-	2 1/2" / 2"	23.5		18	16	14	11	5.5

DIMENSIONS

Type	A	B	L	W	E	F	H1	H2	DNA	DNM
SMINOX/A-220/2 SMINOX/A-220/2T	166	67	421	180	140	202	114	231	G 1 1/2"	G 2"
SMINOX/A-300/2 SMINOX/A-300/2T	166	67	421	180	140	202	114	231	G 1 1/2"	G 2"
SMINOX/A-400/2T	114	67	438	180	140	202	189	237	G 1 1/2"	G 2"

*Optionally, it can be manufactured to be used in hot water applications up to 90 °C.

*Optionally, it can be manufactured with AISI 316 stainless steel.



SMINOX/K-400/2T



DEFINITION

These pumps with stainless steel body and stainless steel vortex impeller are easy to portable pumps. All surfaces in contact with water are made of stainless steel.

It is designed for use in clean water, less corrosive industrial and chemical liquids. These pumps are manufactured at frequencies of 50 Hz and 60 Hz.

USAGE AREAS

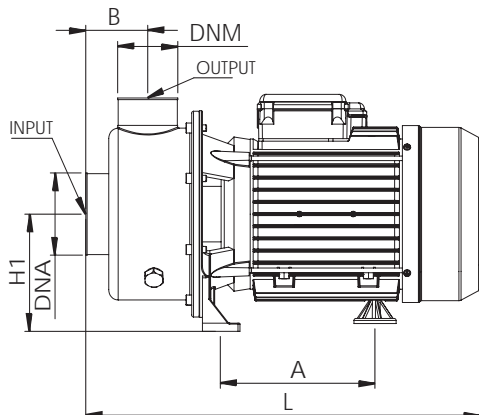
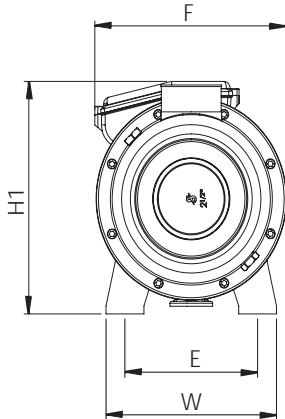
These pumps are used in industrial facilities, food industry, sea water applications, cooling systems, energy facilities, chemical liquids, water supply from wells and tanks, drinking water and filling facilities, purification systems, hospitals and hygienic environments.

PUMP MATERIAL PROPERTIES

PUMP BODY	AISI 304 INOX (AISI 316 INOX)
IMPELLER	AISI 304 INOX (AISI 316 INOX)
SHAFT	AISI 304 INOX (AISI 316 INOX)
FLOW RATE	38 m ³ /hour
TOTAL HEAD	25 m
LIQUID PUMPING TEMPERATURE	0-45°C
PROTECTION CLASS	IP 54
INSULATION	C.I.F
SEAL	CERAMIC / CARBON
PUMP DURABILITY PRESSURE (Pmax)	4 bar

TECHNICAL SPECIFICATIONS

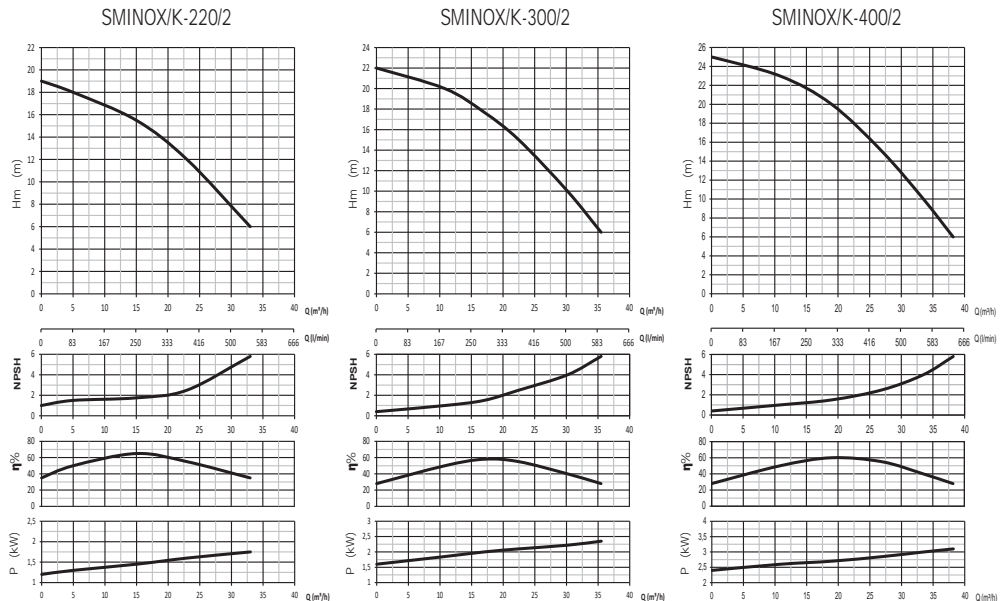
TYPE	MOTOR				PUMP																			
	KW	HP	V	Hz	A	RPM	CAPACITOR uf	Vc	Hm	Suc. m	Input Output	KG	m ³ /h	5	15	25	35	50						
* SMINOX/K-220/2 SMINOX/K-220/2T	1.6	2.2	220	380	50	11	3.5	2900	45	450	19	6	2 1/2"	18	mss					18	15.5	11	-	-
* SMINOX/K-300/2 SMINOX/K-300/2T	2.2	3	220	380	50	13	4	2900	50	450	22	6	2 1/2"	21.5						21	19	13.5	6.5	-
* SMINOX/K-400/2T	3	4	-	380	50	-	4.8	2900	-	-	25	6	2 1/2"	24						24	21.5	16	9	-



DIMENSIONS										
Type	A	B	L	W	E	F	H1	H2	DNA	DNM
SMINOX/K-220/2 SMINOX/K-220/2T	166	67	421	180	140	202	114	231	G 2 ^{1/2}	G 2"
SMINOX/K-300/2 SMINOX/K-300/2T	166	67	421	180	140	202	114	231	G 2 ^{1/2}	G 2"
SMINOX/K-400/2T	114	67	438	180	140	202	189	219	G 2 ^{1/2}	G 2"

*Optionally, it can be manufactured to be used in hot water applications up to 90 °C.

*Optionally, it can be manufactured with AISI 316 stainless steel.



SMINOX160/32



DEFINITION

These pumps with complete stainless body and stainless impeller, rigid coupled and flange connection are high altitude and high flow rate pumps. It is designed for use in clean water, less corrosive industrial and chemical liquids.

It is produced with high hydraulic design features.

These pumps are manufactured at frequencies of 50 Hz and 60 Hz.

USAGE AREAS

These pumps are used in industrial facilities, food industry, sea water applications, heating-cooling systems, energy facilities, chemical liquids, water supply from wells and tanks, drinking water and filling facilities, purification systems, hospitals and hygienic environments and hot water supply.

PUMP MATERIAL PROPERTIES

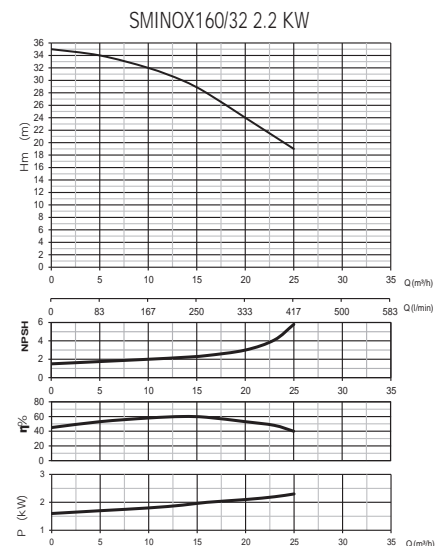
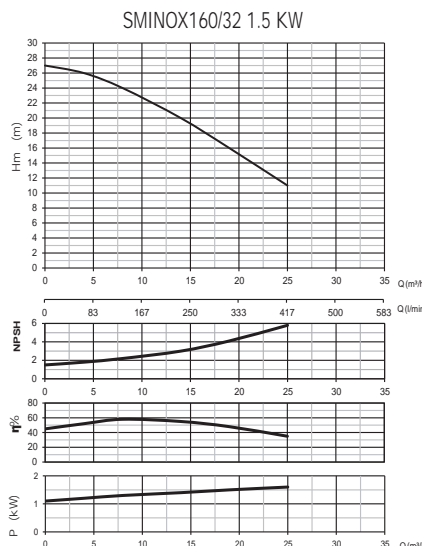
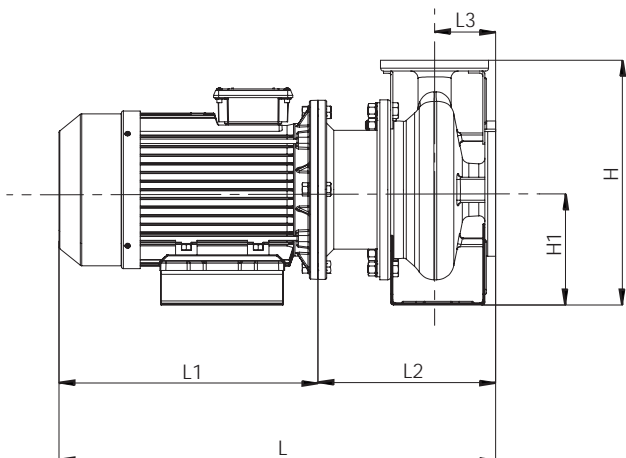
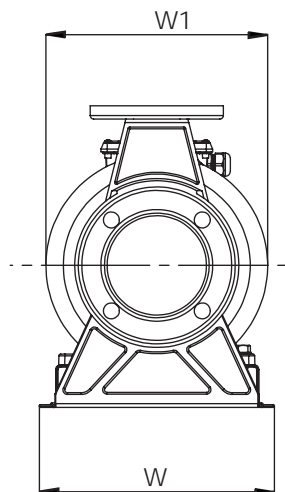
PUMP BODY	AISI 316 INOX
IMPELLER	AISI 316 INOX
SHAFT	AISI 316 INOX
FLOW RATE	25 m ³ /hour
TOTAL HEAD	35 m
LIQUID PUMPING TEMPERATURE	-10 °C - +110 °C
PROTECTION CLASS	IP 54
INSULATION	Cl.F
SEAL	SIC / CARBON
PUMP DURABILITY PRESSURE (Pmax)	6 bar

TECHNICAL SPECIFICATIONS

MOTOR							PUMP										
TYPE	KW	HP	V	Hz	A	RPM	Hm	Input	Output	KG	m ³ /h	10	20	25	35	45	50
SMINOX160/32	1.5	2	380	50	3.5	2900	27	DN50	DN32	29.5	mss	23	15	11	-	-	-
SMINOX160/32	2.2	3	380	50	4.8	2900	35	DN50	DN32	31.5		32	24	19	-	-	-

DIMENSIONS								
Type	L	L1	L2	L3	H	H1	W	W1
SMINOX160/32	488	278	210	80	292	132	240	244

Optionally, motors can be produced with Exproof or Frequency controlled.



SMINOX200/32



DEFINITION

These pumps with complete stainless body and stainless impeller, rigid coupled and flange connection are high altitude and high flow rate pumps. It is designed for use in clean water, less corrosive industrial and chemical liquids.

It is produced with high hydraulic design features.

These pumps are manufactured at frequencies of 50 Hz and 60 Hz.

USAGE AREAS

These pumps are used in industrial facilities, food industry, sea water applications, heating-cooling systems, energy facilities, chemical liquids, water supply from wells and tanks, drinking water and filling facilities, purification systems, hospitals and hygienic environments and hot water supply.

PUMP MATERIAL PROPERTIES

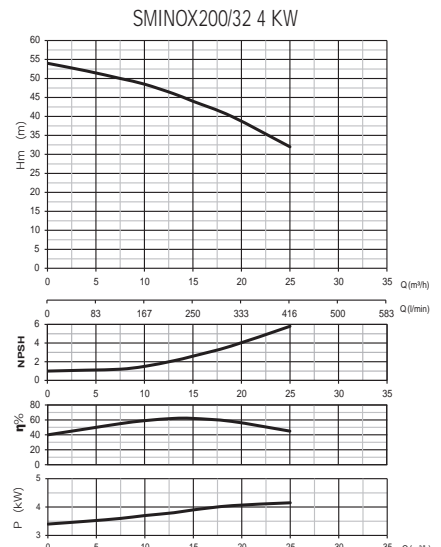
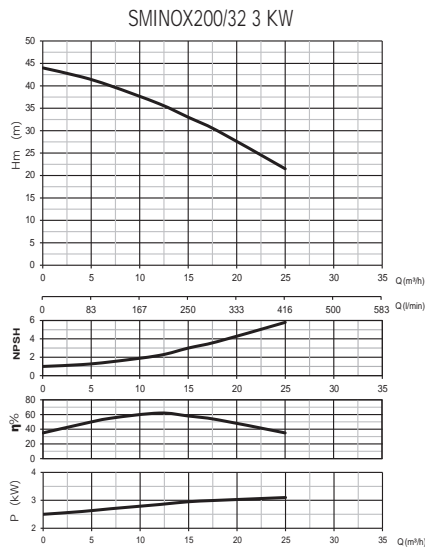
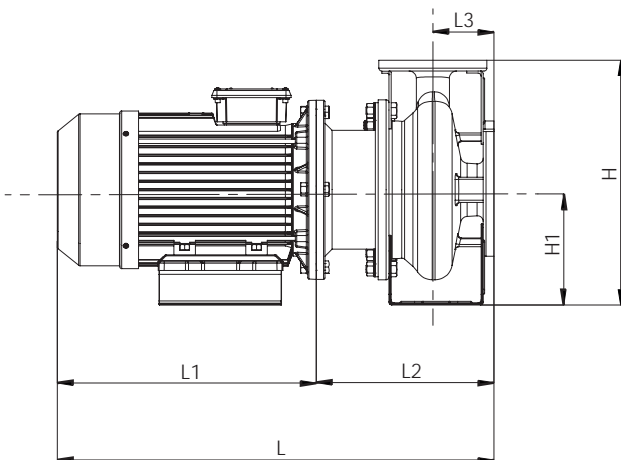
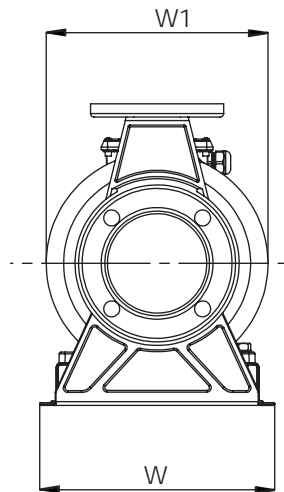
PUMP BODY	AISI 316 INOX
IMPELLER	AISI 316 INOX
SHAFT	AISI 316 INOX
FLOW RATE	30 m ³ /hour
TOTAL HEAD	54 m
LIQUID PUMPING TEMPERATURE	-10 °C - +110 °C
PROTECTION CLASS	IP 54
INSULATION	C.I.F
SEAL	SIC / CARBON
PUMP DURABILITY PRESSURE (Pmax)	8 bar

TECHNICAL SPECIFICATIONS

MOTOR							PUMP										
TYPE	KW	HP	V	Hz	A	RPM	Hm	Input	Output	KG	m ³ /h	10	20	25	35	45	50
SMINOX200/32	3	4	380	50	6.5	2900	44	DN50	DN32	48.5	miss	37	27	22	-	-	-
SMINOX200/32	4	5.5	380	50	8.5	2900	54	DN50	DN32	49		48	38	33	-	-	-

DIMENSIONS									
Type	L	L1	L2	L3	H	H1	W	W1	
SMINOX200/32	527	305	222	80	340	160	240	295	

Optionally, motors can be produced with Exproof or Frequency controlled.



SMINOX160/40



DEFINITION

These pumps with complete stainless body and stainless impeller, rigid coupled and flange connection are high altitude and high flow rate pumps. It is designed for use in clean water, less corrosive industrial and chemical liquids.

It is produced with high hydraulic design features.

These pumps are manufactured at frequencies of 50 Hz and 60 Hz.

USAGE AREAS

These pumps are used in industrial facilities, food industry, sea water applications, heating-cooling systems, energy facilities, chemical liquids, water supply from wells and tanks, drinking water and filling facilities, purification systems, hospitals and hygienic environments and hot water supply.

PUMP MATERIAL PROPERTIES

PUMP BODY	AISI 316 INOX
IMPELLER	AISI 316 INOX
SHAFT	AISI 316 INOX
FLOW RATE	55 m ³ /hour
TOTAL HEAD	37 m
LIQUID PUMPING TEMPERATURE	-10 °C - +110 °C
PROTECTION CLASS	IP 54
INSULATION	CI.F
SEAL	SIC / CARBON
PUMP DURABILITY PRESSURE (Pmax)	6 bar

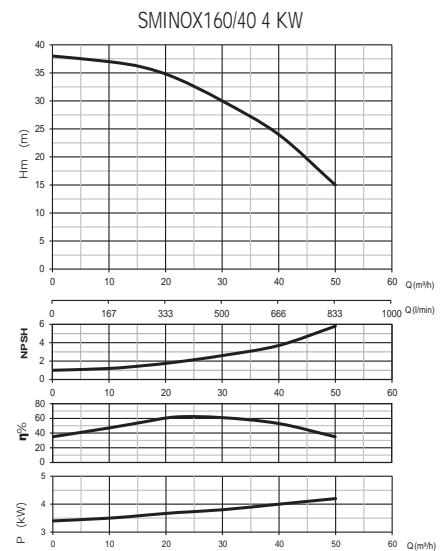
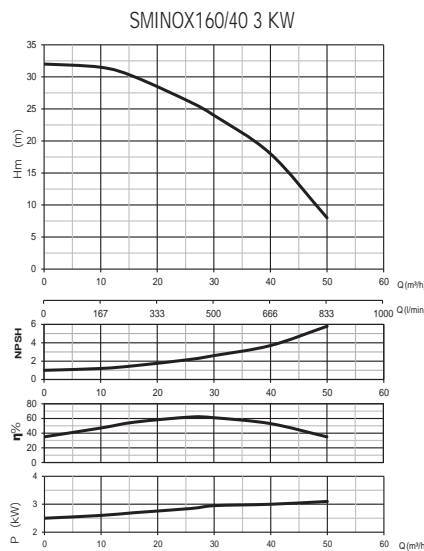
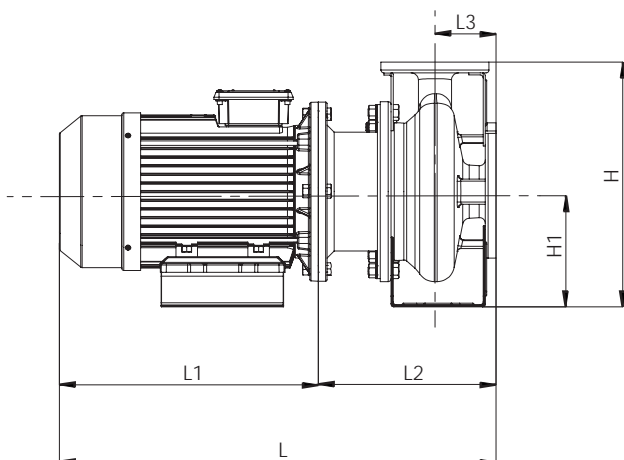
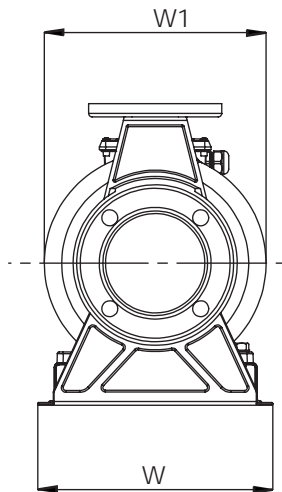
TECHNICAL SPECIFICATIONS

MOTOR							PUMP										
TYPE	KW	HP	V	Hz	A	RPM	Hm	Input	Output	KG	m ³ /h	10	20	25	35	45	50
SMINOX160/40	3	4	380	50	6.2	2900	32	DN65	DN40	45.5	mss	31	29	26	21	13	9
SMINOX160/40	4	5.5	380	50	8.5	2900	39	DN65	DN40	45		37	35	33	26	20	15

DIMENSIONS

Type	L	L1	L2	L3	H	H1	W	W1
SMINOX160/40	527	305	222	80	292	132	240	244

Optionally, motors can be produced with Exproof or Frequency controlled.



SMINOX200/40



DEFINITION

These pumps with complete stainless body and stainless impeller, rigid coupled and flange connection are high altitude and high flow rate pumps. It is designed for use in clean water, less corrosive industrial and chemical liquids.

It is produced with high hydraulic design features.

These pumps are manufactured at frequencies of 50 Hz and 60 Hz.

USAGE AREAS

These pumps are used in industrial facilities, food industry, sea water applications, heating-cooling systems, energy facilities, chemical liquids, water supply from wells and tanks, drinking water and filling facilities, purification systems, hospitals and hygienic environments and hot water supply.

PUMP MATERIAL PROPERTIES

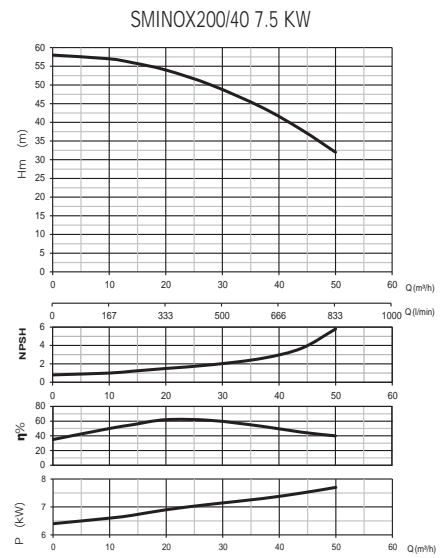
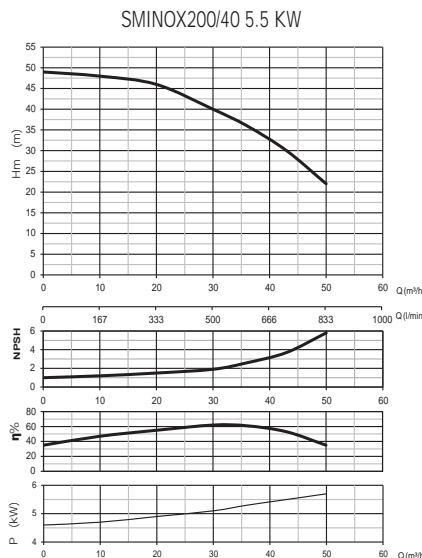
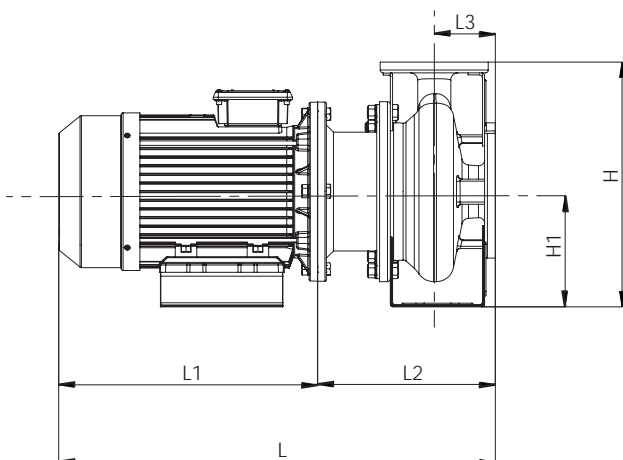
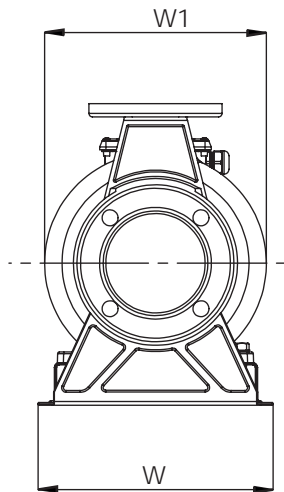
PUMP BODY	AISI 316 INOX
IMPELLER	AISI 316 INOX
SHAFT	AISI 316 INOX
FLOW RATE	60 m ³ /hour
TOTAL HEAD	58 m
LIQUID PUMPING TEMPERATURE	-10 °C - +110 °C
PROTECTION CLASS	IP 54
INSULATION	Cl.F
SEAL	SIC / CARBON
PUMP DURABILITY PRESSURE (Pmax)	9 bar

TECHNICAL SPECIFICATIONS

MOTOR							PUMP										
TYPE	KW	HP	V	Hz	A	RPM	Hm	Input	Output	KG	m ³ /h	10	20	25	35	45	50
SMINOX200/40	5.5	7.5	380	50	11.5	2900	49	DN65	DN40	53.5	mss	48	45	43	37	27	22
SMINOX200/40	7.5	10	380	50	15.5	2900	59	DN65	DN40	73.5		57	54	51	45	37	32

DIMENSIONS								
Type	L	L1	L2	L3	H	H1	W	W1
SMINOX200/40	644	379	265	100	340	160	300	265

Optionally, motors can be produced with Exproof or Frequency controlled.



SMINOX160/50



DEFINITION

These pumps with complete stainless body and stainless impeller, rigid coupled and flange connection are high altitude and high flow rate pumps. It is designed for use in clean water, less corrosive industrial and chemical liquids.

It is produced with high hydraulic design features.

These pumps are manufactured at frequencies of 50 Hz and 60 Hz.

USAGE AREAS

These pumps are used in industrial facilities, food industry, sea water applications, heating-cooling systems, energy facilities, chemical liquids, water supply from wells and tanks, drinking water and filling facilities, purification systems, hospitals and hygienic environments and hot water supply.

PUMP MATERIAL PROPERTIES

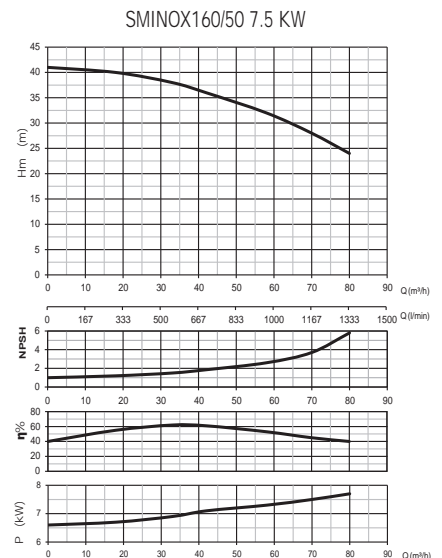
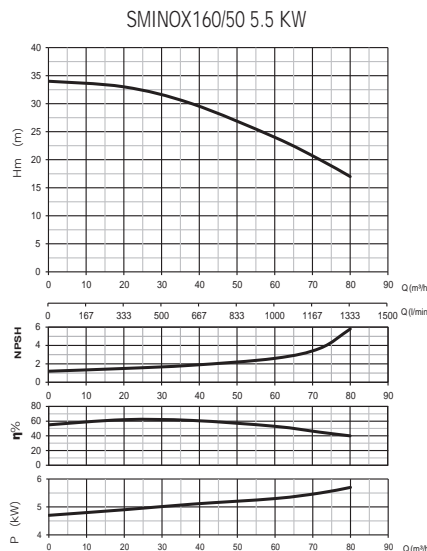
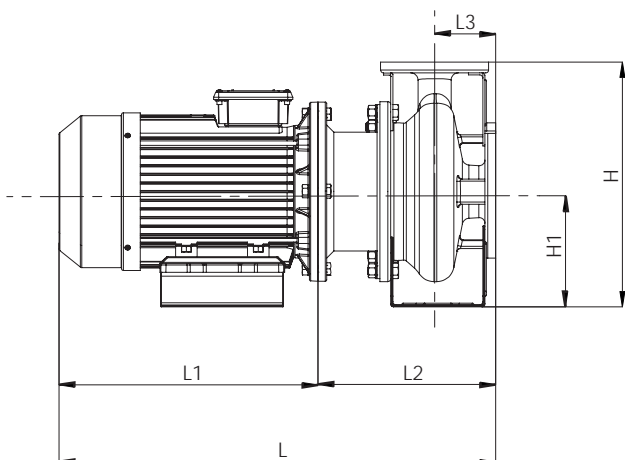
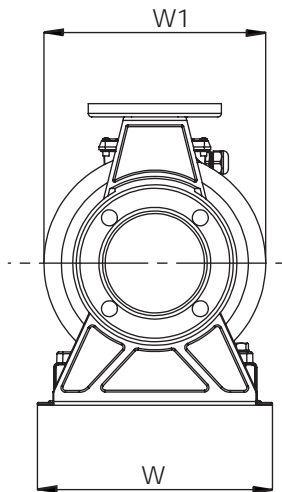
PUMP BODY	AISI 316 INOX
IMPELLER	AISI 316 INOX
SHAFT	AISI 316 INOX
FLOW RATE	90 m ³ /hour
TOTAL HEAD	41 m
LIQUID PUMPING TEMPERATURE	-10 °C - +110 °C
PROTECTION CLASS	IP 54
INSULATION	Cl.F
SEAL	SIC / CARBON
PUMP DURABILITY PRESSURE (Pmax)	6 bar

TECHNICAL SPECIFICATIONS

MOTOR							PUMP									
TYPE	KW/HP	V	Hz	A	RPM	Hm	Input	Output	KG	m ³ /h	20	40	60	80	100	120
SMINOX160/50	5.5/7.5	380	50	11.5	2900	34	DN65	DN50	51	mss	33	30	24	16	-	-
SMINOX160/50	7.5/10	380	50	15.5	2900	40	DN65	DN50	70.5		40	36	31	25	-	-

DIMENSIONS								
Type	L	L1	L2	L3	H	H1	W	W1
SMINOX160/50	644	379	265	100	340	160	300	265

Optionally, motors can be produced with Exproof or Frequency controlled.



SMINOX200/50



DEFINITION

These pumps with complete stainless body and stainless impeller, rigid coupled and flange connection are high altitude and high flow rate pumps. It is designed for use in clean water, less corrosive industrial and chemical liquids.

It is produced with high hydraulic design features.

These pumps are manufactured at frequencies of 50 Hz and 60 Hz.

USAGE AREAS

These pumps are used in industrial facilities, food industry, sea water applications, heating-cooling systems, energy facilities, chemical liquids, water supply from wells and tanks, drinking water and filling facilities, purification systems, hospitals and hygienic environments and hot water supply.

PUMP MATERIAL PROPERTIES

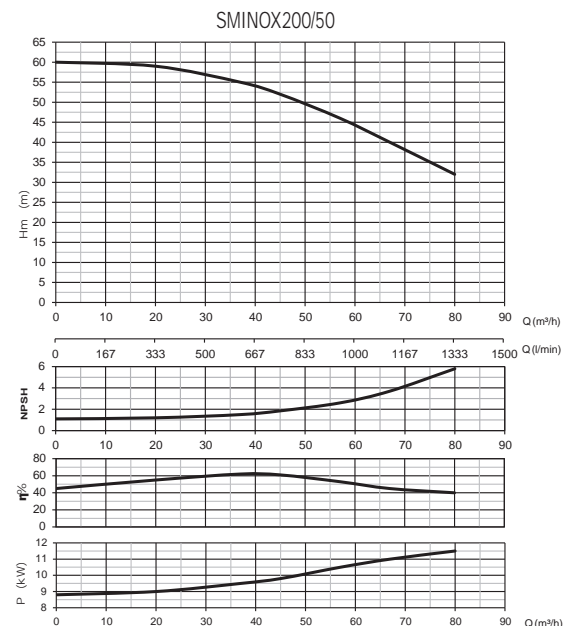
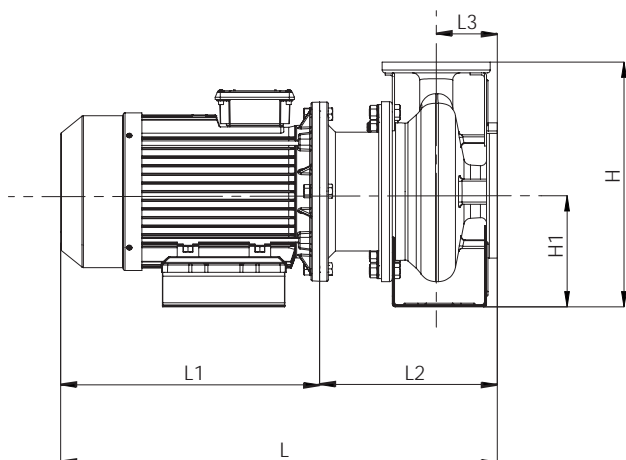
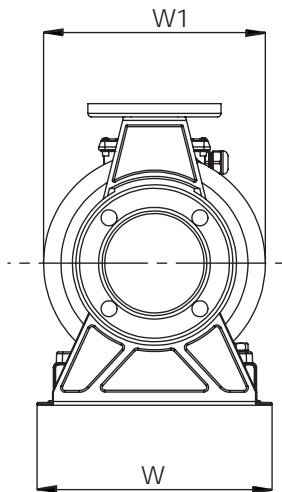
PUMP BODY	AISI 316 INOX
IMPELLER	AISI 316 INOX
SHAFT	AISI 316 INOX
FLOW RATE	90 m ³ /hour
TOTAL HEAD	60 m
LIQUID PUMPING TEMPERATURE	-10 °C - +110 °C
PROTECTION CLASS	IP 54
INSULATION	Cl.F
SEAL	SIC / CARBON
PUMP DURABILITY PRESSURE (Pmax)	9 bar

TECHNICAL SPECIFICATIONS

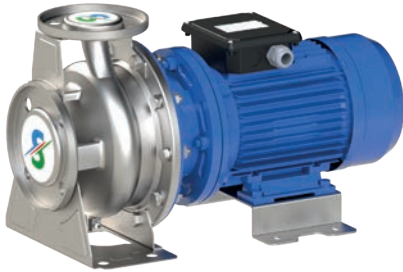
MOTOR							PUMP									
TYPE	KW/HP	V	Hz	A	RPM	Hm	Input	Output	KG	m ³ /h	20	40	60	80	100	120
SMINOX200/50	11 / 15	380	50	23	2900	60	DN65	DN50	83.5	mss	59	54	44	32	-	-

DIMENSIONS								
Type	L	L1	L2	L3	H	H1	W	W1
SMINOX200/50	792	494	298	100	360	160	300	265

Optionally, motors can be produced with Exproof or Frequency controlled.



SMINOX160/65



DEFINITION

These pumps with complete stainless body and stainless impeller, rigid coupled and flange connection are high altitude and high flow rate pumps. It is designed for use in clean water, less corrosive industrial and chemical liquids.

It is produced with high hydraulic design features.

These pumps are manufactured at frequencies of 50 Hz and 60 Hz.

USAGE AREAS

These pumps are used in industrial facilities, food industry, sea water applications, heating-cooling systems, energy facilities, chemical liquids, water supply from wells and tanks, drinking water and filling facilities, purification systems, hospitals and hygienic environments and hot water supply.

PUMP MATERIAL PROPERTIES

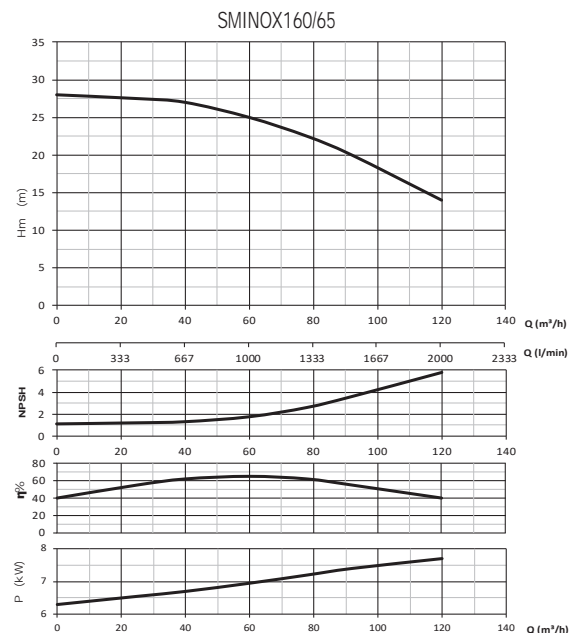
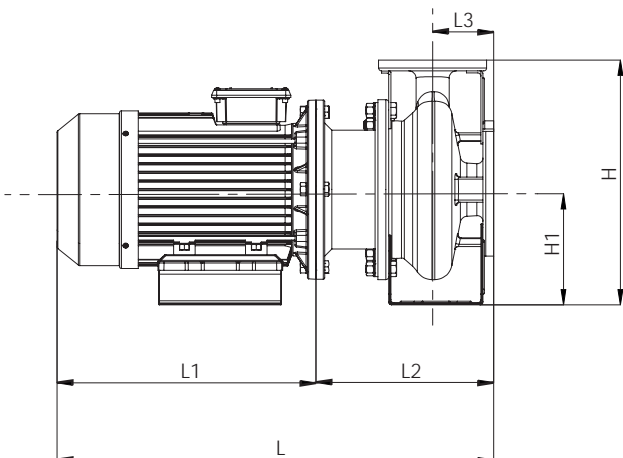
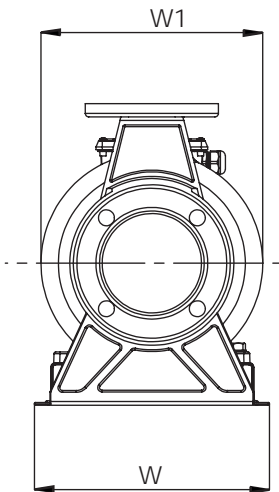
PUMP BODY	AISI 316 INOX
IMPELLER	AISI 316 INOX
SHAFT	AISI 316 INOX
FLOW RATE	130 m ³ /hour
TOTAL HEAD	27 m
LIQUID PUMPING TEMPERATURE	-10 °C - +110 °C
PROTECTION CLASS	IP 54
INSULATION	Cl.F
SEAL	SIC / CARBON
PUMP DURABILITY PRESSURE (Pmax)	6 bar

TECHNICAL SPECIFICATIONS

MOTOR							PUMP									
TYPE	KW/HP	V	Hz	A	RPM	Hm	Input	Output	KG	m ³ /h	20	40	60	80	100	120
SMINOX160/65	7.5 / 10	380	50	15.5	2900	28	DN80	DN65	71	m ³ /h	27	26	25	22	18	14

DIMENSIONS								
Type	L	L1	L2	L3	H	H1	W	W1
SMINOX160/65	800	495	305	100	340	160	300	280

Optionally, motors can be produced with Exproof or Frequency controlled.



**Complies with the Regulations
SGM-201 1/15 and AB EC 641/2009**

**IDEAL PERFORMANCE
EEI ≤ 0,23**



Easy to Installation

Sumak SSP INV Circulating pumps have junction box and connection socket for easy energy connection. In this way, it can be connected safely and in a short time without contacting electronic systems.

Communication

The RS 485, Modbus, mounted on the new SSP INV drive, allows easy connection to other pumps and building automation systems.

Comfortable Display

Thanks to the LED display, icons and numbers are easy to read even in low light conditions.

Maximum Safety

Alarm and error codes appear on the screen in case of an error.

ECM Motor Technology

Rotor equipped with permanent magnets + electronically controlled motor.

Silence

Sumak SSP INV Series Frequency Controlled Circulation Pumps have minimum vibration and noise levels during operation.



Full Motor Protection

The pump automatically shuts off when water is not present thanks to dry running protection as well as overload, low voltage.

4 Different Function Modes

Selectable operating modes for optimum load adaptation.

- Variable Pressure
- Constant Pressure
- Constant Speed
- Night Mode
- Differential Pressure (Optional)
- Differential Temperature (Optional)

Night Mode

Minimizes the energy consumption of the pump when the heating system is not operating.

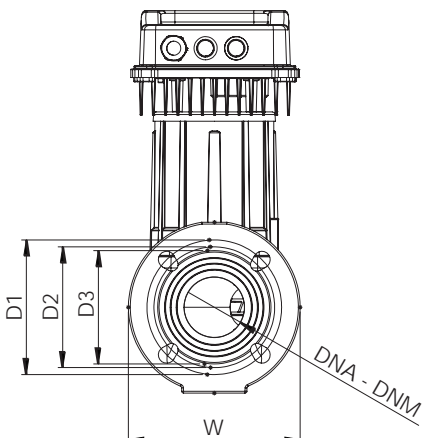
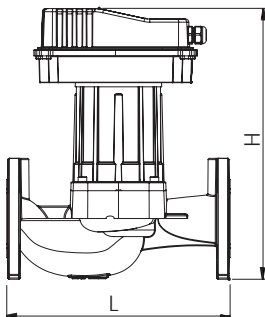
General Specifications

Max Flow	: 45 m ³ /h
Max Liquid Press Length	: 15 m
Liquid Temperature	: -10 °C - +110 °C
Max Operating Pressure	: 10 bar (PN 10)
Protecting Class	: IP 44
Isolation Class	: CLASS F
Pump Barrel	: GG25 CAST IRON
Impeller	: NORYL
Shaft	: AISI 420

SSP INV-40/15



- * NEW GENERATION SMART CIRCULATION PUMP WITH INTEGRATED FREQUENCY CONVERTER
- * **EEI<0.23 ENERGY EFFICIENCY INDEX**
- * SUITABLE FOR BUILDING AUTOMATION
- * COMMUNICATION WITH MODBUS, RS 485 BUILDING AUTOMATION
- * ECM ENGINE TECHNOLOGY
- * NIGHT MODE
- * MAXIMUM SAFETY
- * EASY INSTALLATION AND OPERATION
- * LOW OPERATION COST AND OPERATION WITH PRESSURE AND TEMPERATURE CONTROL AS OPTIONAL



DEFINITION

These pumps have a cast body, wet rotor and PN6/PN10 oval connection hole axis, compatible with flanges and high efficiency magnetic motor pumps.

It is designed to provide the instant power needed due to its frequency controlled driver. The pump has 3 separate operating modules: variable pressure, constant pressure and night mode.

USAGE AREAS

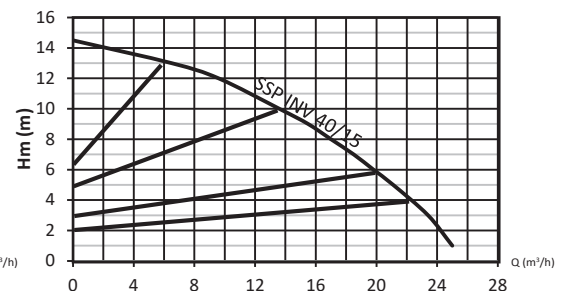
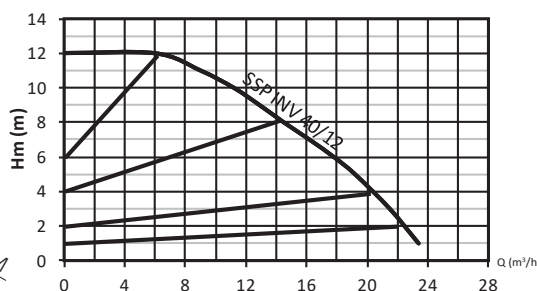
These pumps can be used in closed circuit hot water heating systems, fan coil cooling systems, and wherever there is central system heating and cooling such as hospitals, schools, smart buildings, greenhouses, farms, and commercial buildings.

PUMP MATERIAL PROPERTIES

PUMP BODY	GG25 CAST IRON
IMPELLER	NORYL
SHAFT	AISI 420
FLOW RATE (max.)	26 m ³ /hour
TOTAL HEAD (max.)	15 m
LIQUID PUMPING TEMPERATURE	-10°C - 110°C
PROTECTION CLASS	IP 44
INSULATION	CLASS F
EFFICIENCY INDEX	EEI<0.23
PUMP DURABILITY PRESSURE (Pmax)	6-10 bar

TECHNICAL SPECIFICATIONS

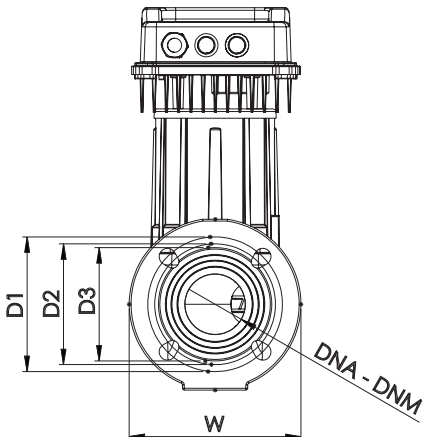
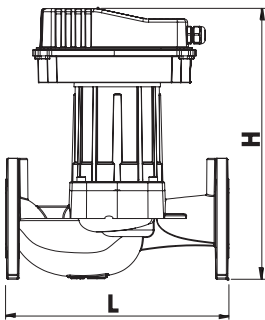
TYPE	MOTOR							PUMP							
	Watt	RPM	V	Hz	A	KG	Hm	L	W	D1	D2	D3	H	DNA	DNM
SSP INV-40/12	40	1500	230	50	2.2	19	12	250	150	110	100	90	397	DN40	DN40
	500	4600													
SSP INV-40/15	60	1500	230	50	2.6	19	15	250	150	110	100	90	397	DN40	DN40
	600	4600													



SSP INV-50/15



- * NEW GENERATION SMART CIRCULATION PUMP WITH INTEGRATED FREQUENCY CONVERTER
- * **EEL<0.23 ENERGY EFFICIENCY INDEX**
- * SUITABLE FOR BUILDING AUTOMATION
- * COMMUNICATION WITH MODBUS, RS 485 BUILDING AUTOMATION
- * ECM ENGINE TECHNOLOGY
- * NIGHT MODE
- * MAXIMUM SAFETY
- * EASY INSTALLATION AND OPERATION
- * LOW OPERATION COST AND OPERATION WITH PRESSURE AND TEMPERATURE CONTROL AS OPTIONAL



DEFINITION

These pumps have a cast body, wet rotor and PN6/PN10 oval connection hole axis, compatible with flanges and high efficiency magnetic motor pumps.

It is designed to provide the instant power needed due to its frequency controlled driver. The pump has 3 separate operating modules: variable pressure, constant pressure and night mode.

USAGE AREAS

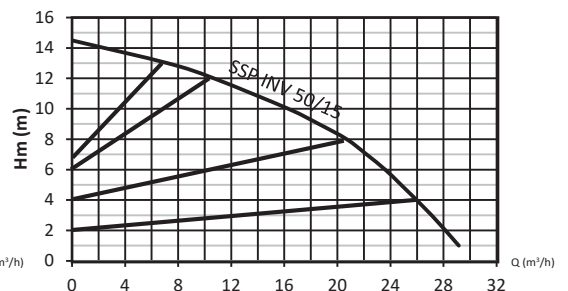
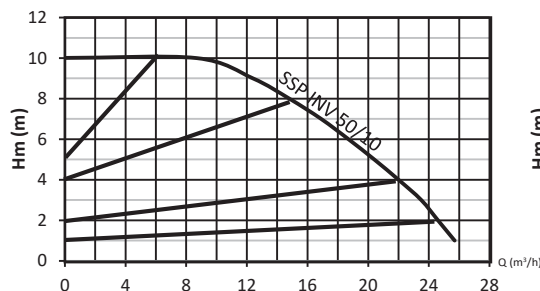
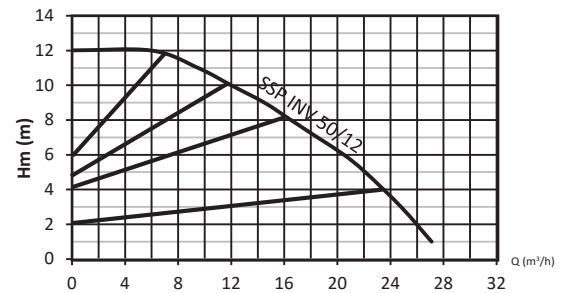
These pumps can be used in closed circuit hot water heating systems, fan coil cooling systems, and wherever there is central system heating and cooling such as hospitals, schools, smart buildings, greenhouses, farms, and commercial buildings.

PUMP MATERIAL PROPERTIES

PUMP BODY	GG25 CAST IRON
IMPELLER	NORYL
SHAFT	AISI 420
FLOW RATE (max.)	30 m ³ /hour
TOTAL HEAD (max.)	15 m
LIQUID PUMPING TEMPERATURE	-10°C - 110°C
PROTECTION CLASS	IP 44
INSULATION	CLASS F
EFFICIENCY INDEX	EEL<0.23
PUMP DURABILITY PRESSURE (Pmax)	6-10 bar

TECHNICAL SPECIFICATIONS

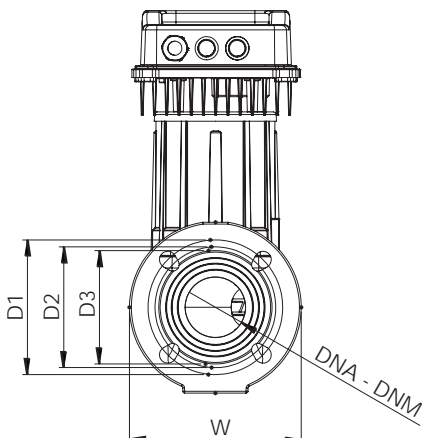
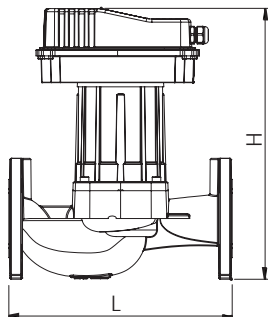
TYPE	MOTOR							PUMP							
	Watt	RPM	V	Hz	A	KG	Hm	L	W	D1	D2	D3	H	DNA	DNM
SSP INV-50/10	40	1500	230	50	2.2	20	10	280	165	125	110	105	404	DN50	DN50
	500	4600													
SSP INV-50/12	60	1500	230	50	2.6	20.5	12	280	165	125	110	105	404	DN50	DN50
	600	4600													
SSP INV-50/15	75	1500	230	50	3.3	20.5	15	280	165	125	110	105	404	DN50	DN50
	730	4600													



SSP INV-65/12



- * NEW GENERATION SMART CIRCULATION PUMP WITH INTEGRATED FREQUENCY CONVERTER
- * **EEI<0.23 ENERGY EFFICIENCY INDEX**
- * SUITABLE FOR BUILDING AUTOMATION
- * COMMUNICATION WITH MODBUS, RS 485 BUILDING AUTOMATION
- * ECM ENGINE TECHNOLOGY
- * NIGHT MODE
- * MAXIMUM SAFETY
- * EASY INSTALLATION AND OPERATION
- * LOW OPERATION COST AND OPERATION WITH PRESSURE AND TEMPERATURE CONTROL AS OPTIONAL



DEFINITION

These pumps have a cast body, wet rotor and PN6/PN10 oval connection hole axis, compatible with flanges and high efficiency magnetic motor pumps.

It is designed to provide the instant power needed due to its frequency controlled driver. The pump has 3 separate operating modules: variable pressure, constant pressure and night mode.

USAGE AREAS

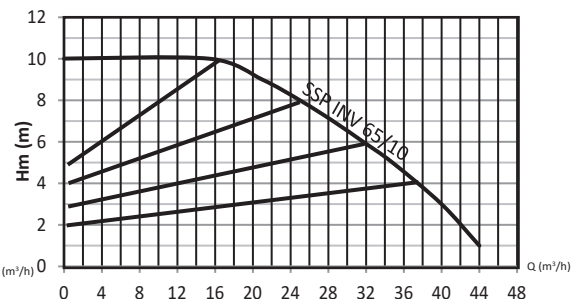
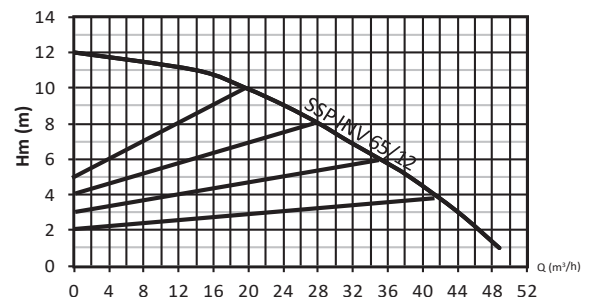
These pumps can be used in closed circuit hot water heating systems, fan coil cooling systems, and wherever there is central system heating and cooling such as hospitals, schools, smart buildings, greenhouses, farms, and commercial buildings.

PUMP MATERIAL PROPERTIES

PUMP BODY	GG25 CAST IRON
IMPELLER	NORYL
SHAFT	AISI 420
FLOW RATE (max.)	48 m ³ /hour
TOTAL HEAD (max.)	12 m
LIQUID PUMPING TEMPERATURE	-10°C - 110°C
PROTECTION CLASS	IP 44
INSULATION	CLASS F
EFFICIENCY INDEX	EEI<0.23
PUMP DURABILITY PRESSURE (Pmax)	6-10 bar

TECHNICAL SPECIFICATIONS

TYPE	MOTOR							PUMP							
	Watt	RPM	V	Hz	A	KG	Hm	L	W	D1	D2	D3	H	DNA	DNM
SSP INV-65/8	60	1000	230	50	3	25.5	8	340	185	145	130	122	412	DN65	DN65
	680	3300													
SSP INV-65/10	60	1000	230	50	3.6	26.5	10	340	185	145	130	122	412	DN65	DN65
	820	3300													
SSP INV-65/12	80	1000	230	50	4	26.5	12	340	185	145	130	122	412	DN65	DN65
	920	3300													





Pump Type : SELF FLAPPED
Pump Body : GG25 CAST IRON
Pump Shaft : AISI 304 INOX
Motor Type : AIR COOLING
Fuel Tank Volume : 3.5 lt
Battery : 12 V 60 Ah
Weight : 62 KG

DIESEL ENGINE MOTOPUMPS

TYPE	RPM	ENGINE POWER	OPERATING	INPUT	OUTPUT	Max m ³ /h	Max mss	m ³ /h	8	16	24	27	30
DSM300/2 D	3000	4 HP	Manual	2"	2"	38	24	mss	23	17	13	10	8



Pump Type : SELF FLAPPED
Pump Body : GG25 CAST IRON
Pump Shaft : AISI 420 INOX
Motor Type : AIR COOLING
Fuel Tank Volume : 6 lt
Battery : 12 V 60 Ah
Weight : 118 KG

DIESEL ENGINE MOTOPUMPS

TYPE	RPM	ENGINE POWER	OPERATING	INPUT	OUTPUT	Max m ³ /h	Max mss	m ³ /h	10	25	35	45	55
DSMT750/3 D	3000	7.5 HP	Manual	3"	3"	65	32	mss	30	26	22	17	9



Pump Type : VOLUTE CASING
Pump Body : GG25 CAST IRON
Pump Shaft : AISI 420 INOX
Motor Type : AIR COOLING
Fuel Tank Volume : 6 lt
Battery : 12 V 60 Ah
Weight : 66 KG

DIESEL ENGINE MOTOPUMPS

TYPE	RPM	ENGINE POWER	OPERATING	INPUT	OUTPUT	Max m ³ /h	Max mss	m ³ /h	5	10	15	20	25
SMKT750/2 D	3000	7.5 HP	Manual	2"	2"	32	68	mss	66	63	60	53	42



Pump Type : VOLUTE CASING
Pump Body : GG25 CAST IRON
Pump Shaft : AISI 420 INOX
Motor Type : AIR COOLING
Fuel Tank Volume : 6 lt
Battery : 12 V 60 Ah
Weight : 66 KG

DIESEL ENGINE MOTOPUMPS

TYPE	RPM	ENGINE POWER	OPERATING	INPUT	OUTPUT	Max m ³ /h	Max mss	m ³ /h	5	10	13	14	15
SMKT750 D	3000	7.5 HP	Manual	1 ^{1/2} "	1 ^{1/2} "	17	87	mss	82	79	70	63	55



Pump Type : VOLUTE CASING
Pump Body : GG25 CAST IRON
Pump Shaft : AISI 420 INOX
Motor Type : AIR COOLING
Fuel Tank Volume : 6 lt
Battery : 12 V 60 Ah
Weight : 98 KG

DIESEL ENGINE MOTOPUMPS

TYPE	RPM	ENGINE POWER	OPERATING	INPUT	OUTPUT	Max m ³ /h	Max mss	m ³ /h	10	20	30	40	50
SMT1000/3 D	3000	7.5 HP	Manual	3"	2 ¹ / ₂ "	55	50	mss	49	48	47	41	27



Pump Type : VOLUTE CASING
Pump Body : GG25 CAST IRON
Pump Shaft : AISI 420 INOX
Motor Type : AIR COOLING
Fuel Tank Volume : 6 lt
Battery : 12 V 60 Ah
Weight : 92 KG

DIESEL ENGINE MOTOPUMPS

TYPE	RPM	ENGINE POWER	OPERATING	INPUT	OUTPUT	Max m ³ /h	Max mss	m ³ /h	15	30	50	80	115
SMT750/4 D	3000	7.5 HP	Manual	4"	4"	120	23	mss	22.5	22	21.5	18	11



Pump Type : HORIZONTAL MULTISTAGE
Pump Body : GG25 CAST IRON
Pump Shaft : AISI 420 INOX
Motor Type : AIR COOLING
Fuel Tank Volume : 6 lt
Battery : 12 V 60 Ah
Weight : 178 KG

DIESEL ENGINE MOTOPUMPS

TYPE	RPM	ENGINE POWER	OPERATING	INPUT	OUTPUT	Max m ³ /h	Max mss	m ³ /h	6	8	10	12	16
SYT32/5 D	3000	7.5 HP	Manual	1 ¹ / ₂ "	1 ¹ / ₄ "	17	125	mss	123	120	115	110	85



Pump Type : HORIZONTAL MULTISTAGE
Pump Body : GG25 CAST IRON
Pump Shaft : AISI 420 INOX
Motor Type : AIR COOLING
Fuel Tank Volume : 3.5 lt
Battery : 12 V 60 Ah
Weight : 62 KG

GASOLINE ENGINE MOTOPUMPS

TYPE	RPM	ENGINE POWER	OPERATING	INPUT	OUTPUT	Max m ³ /h	Max mss	m ³ /h	10	20	30	40	55
SMT550/3 B	3000	4 HP	Manual	3"	2 ¹ / ₂ "	70	29	mss	28	27	25	23	17

SYMP 3 100/7

New Product



DEFINITION

These pumps with stainless body and stainless impeller are multistage and high altitude pumps. It's all surfaces in contact with water are made of stainless steel. It is designed for use in clean water, less corrosive industrial and chemical liquids.

These pumps are manufactured at frequencies of 50 Hz and 60 Hz.

USAGE AREAS

These pumps are used for water supply and pressurization in residential units, industrial facilities, for booster purposes in buildings with a maximum of 6 floors and 10 flats, irrigation and sea water applications, chemical liquids, purification systems, social facilities and constructions.

PUMP MATERIAL PROPERTIES

PUMP BODY	AISI 304 INOX
IMPELLER	AISI 304 INOX
SHAFT	AISI 304 INOX
FLOW RATE (max.)	2.6 m ³ /hour
TOTAL HEAD (max.)	60 m
LIQUID PUMPING TEMPERATURE	0-45°C
PROTECTION CLASS	IP 54
INSULATION	Cl.F
SEAL	CERAMIC / CARBON
PUMP DURABILITY PRESSURE (Pmax)	10 bar

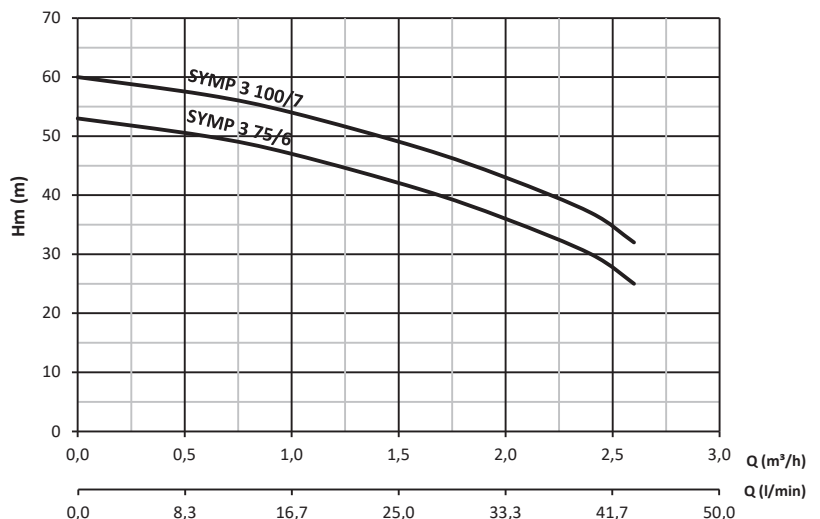
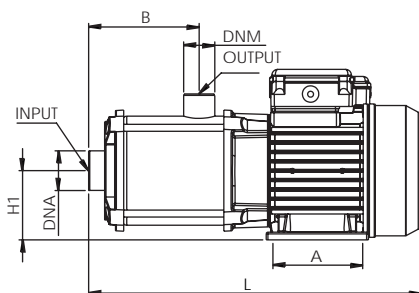
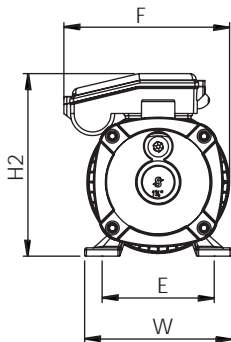
TECHNICAL SPECIFICATIONS

MOTOR										PUMP										
TYPE	KW	HP	V		Hz	A		RPM	CAPACITOR		Suc. m	Input Output	Hm	KG	m ³ /h	0.5	1	1.5	2	2.5
			SINGLE	THREE		SINGLE	THREE		Uf	Vc										
SYMP 3 75/6 SYMTP 3 75/6	0.55	0.75	220	380	50	3.6	1.1	2900	20	450	-	1"	53	11.8	mss	50	47	42	36	28
SYMP 3 100/7 SYMTP 3 100/7	0.75	1	220	380	50	4.7	1.6	2900	20	450	-	1"	60	13.8		57	54	49	42	35

DIMENSIONS

Type	A	B	L	W	E	F	H1	H2	DNA	DNM
SYMP 3 75/6 SYMTP 3 75/6	100	126	380	159	121	180	80	197	G 1"	G 1"
SYMP 3 100/7 SYMTP 3 100/7	100	144	398	159	121	180	80	197	G 1"	G 1"

*Optionally, it can be manufactured to be used in hot water applications up to 90 °C.



SYMP 5 150/7

New Product



DEFINITION

These pumps with stainless body and stainless impeller are multistage and high altitude pumps. It's all surfaces in contact with water are made of stainless steel. It is designed for use in clean water, less corrosive industrial and chemical liquids.

These pumps are manufactured at frequencies of 50 Hz and 60 Hz.

USAGE AREAS

These pumps are used for water supply and pressurization in residential units, industrial facilities, for booster purposes in buildings with a maximum of 6 floors and 16 flats, irrigation and sea water applications, chemical liquids, purification systems, social facilities and constructions.

PUMP MATERIAL PROPERTIES

PUMP BODY	AISI 304 INOX
IMPELLER	AISI 304 INOX
SHAFT	AISI 304 INOX
FLOW RATE (max.)	4,5 m ³ /hour
TOTAL HEAD (max.)	62 m
LIQUID PUMPING TEMPERATURE	0-45°C
PROTECTION CLASS	IP 54
INSULATION	CI.F
SEAL	CERAMIC / CARBON
PUMP DURABILITY PRESSURE (Pmax)	10 bar

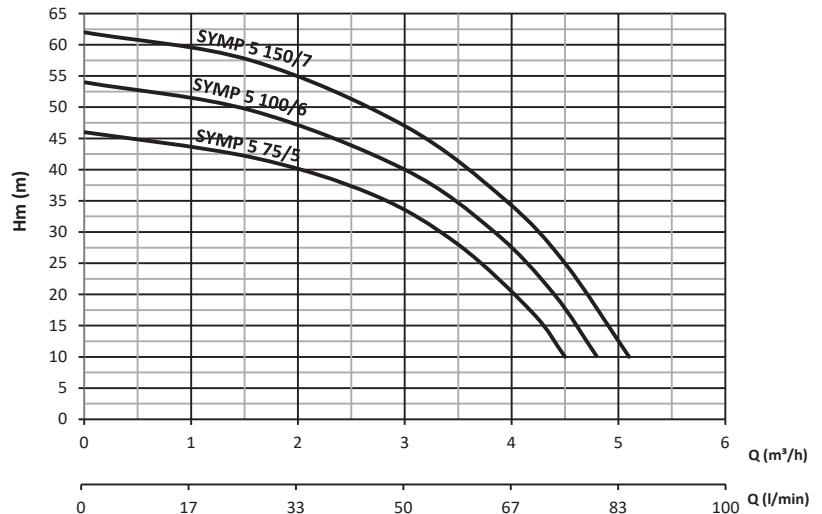
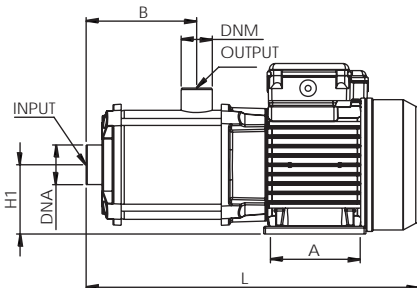
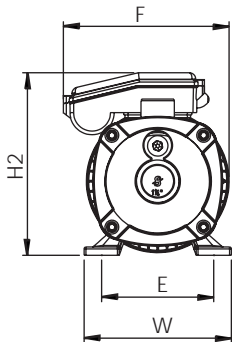
TECHNICAL SPECIFICATIONS

MOTOR										PUMP										
TYPE	KW	HP	V		Hz	A		RPM	CAPACITOR		Suc. m	Input Output	Hm	KG	m ³ /h	mss				
			SINGLE	THREE		SINGLE	THREE		uf	Vc						0.5	1	2	3	4
SYMP 5 75/5 SYMTP 5 75/5	0.55	0.75	220	380	50	3.6	1.1	2900	20	450	-	1"	46	11.5	mss	45	44	40	33	20
SYMP 5 100/6 SYMTP 5 100/6	0.75	1	220	380	50	4.7	1.6	2900	20	450	-	1"	54	13.6		52	51	47	40	27
SYMP 5 150/7 SYMTP 5 150/7	1.1	1.5	220	380	50	6.4	2.3	2900	20	450	-	1"	63	14.5		61	60	55	47	34

DIMENSIONS

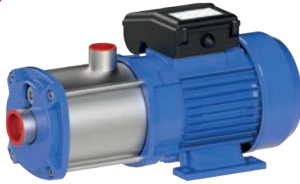
Type	A	B	L	W	E	F	H1	H2	DNA	DNM
SYMP 5 75/5 SYMTP 5 75/5	100	108	362	159	121	180	80	197	G 1"	G 1"
SYMP 5 100/6 SYMTP 5 100/6	100	126	380	159	121	180	80	197	G 1"	G 1"
SYMP 5 150/7 SYMTP 5 150/7	100	144	398	159	121	180	80	197	G 1"	G 1"

*Optionally, it can be manufactured to be used in hot water applications up to 90 °C.



SYMP 7 180/6

New Product



DEFINITION

These pumps with stainless body and stainless impeller are multistage and high altitude pumps. It's all surfaces in contact with water are made of stainless steel. It is designed for use in clean water, less corrosive industrial and chemical liquids.

These pumps are manufactured at frequencies of 50 Hz and 60 Hz.

USAGE AREAS

These pumps are used for water supply and pressurization in residential units, industrial facilities, for booster purposes in buildings with a maximum of 4 floors and 24 flats, irrigation and sea water applications, chemical liquids, purification systems, social facilities and constructions.

PUMP MATERIAL PROPERTIES

PUMP BODY	AISI 304 INOX
IMPELLER	AISI 304 INOX
SHAFT	AISI 304 INOX
FLOW RATE (max.)	6.5 m ³ /hour
TOTAL HEAD (max.)	53 m
LIQUID PUMPING TEMPERATURE	0-45°C
PROTECTION CLASS	IP 54
INSULATION	Cl.F
SEAL	CERAMIC / CARBON
PUMP DURABILITY PRESSURE (Pmax)	10 bar

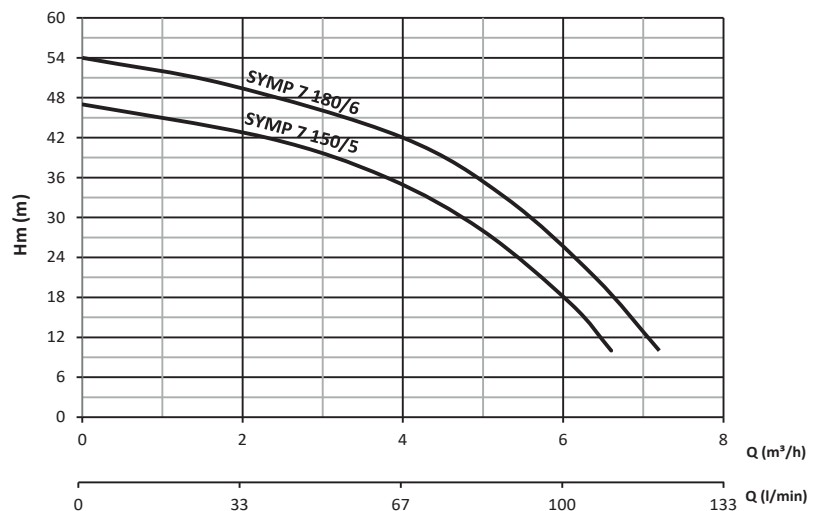
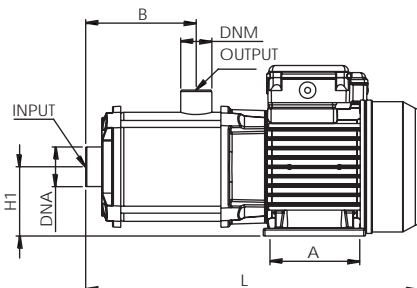
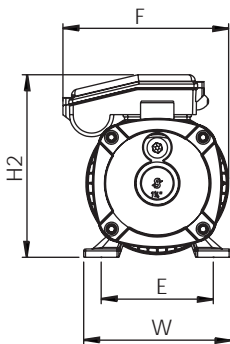
TECHNICAL SPECIFICATIONS

MOTOR										PUMP										
TYPE	KW	HP	V		Hz	A		RPM	CAPACITOR		Suc. m	Input Output	Hm	KG	m ³ /h					
			SINGLE	THREE		SINGLE	THREE		uf	Vc						1	2	4	5	6
SYMP 7 150/5 SYMTP 7 150/5	1.1	1.5	220	380	50	6.4	2.3	2900	25	450	-	1 1/4 1"	47	13.8	m ³ /h	46	43	35	28	18
SYMP 7 180/6 SYMTP 7 180/6	1.35	1.8	220	380	50	6.6	2.7	2900	25	450	-	1 1/4 1"	54	14.1		52	50	42	35	25

DIMENSIONS

Type	A	B	L	W	E	F	H1	H2	DNA	DNM
SYMP 7 150/5 SYMTP 7 150/5	100	108	362	159	121	180	80	197	G 1 1/4	G 1"
SYMP 7 180/6 SYMTP 7 180/6	100	126	380	159	121	180	80	207	G 1 1/4	G 1"

*Optionally, it can be manufactured to be used in hot water applications up to 90 °C.



SYM6 - 150/8

Shaft Housing



DEFINITION

These pumps with stainless body and stainless impeller are multistage and high altitude pumps. It's all surfaces in contact with water are made of stainless steel. It is designed for use in clean water, less corrosive industrial and chemical liquids.

These pumps are manufactured at frequencies of 50 Hz and 60 Hz.

USAGE AREAS

These pumps are used in residential areas, industrial facilities, irrigation applications that require pressure, in buildings of up to 9 floors 18 flats, for booster purposes in villas and summer houses, for water supply from wells and tanks and for garden irrigation.

PUMP MATERIAL PROPERTIES

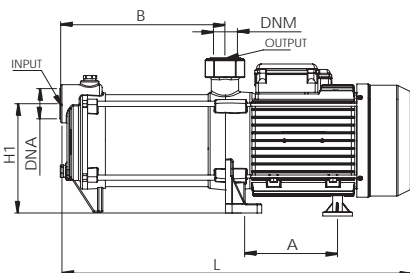
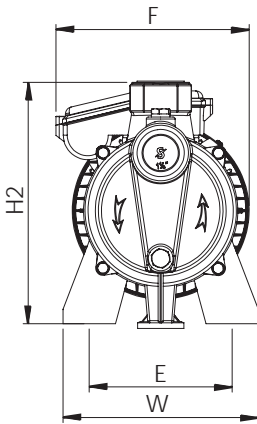
PUMP BODY	AISI 304 INOX
IMPELLER	NORYL
SHAFT	AISI 420
FLOW RATE (max.)	6 m ³ /hour
TOTAL HEAD (max.)	92 m
LIQUID PUMPING TEMPERATURE	0-45°C
PROTECTION CLASS	IP 54
INSULATION	CI.F
SEAL	CERAMIC / CARBON
PUMP DURABILITY PRESSURE (Pmax)	12 bar

TECHNICAL SPECIFICATIONS

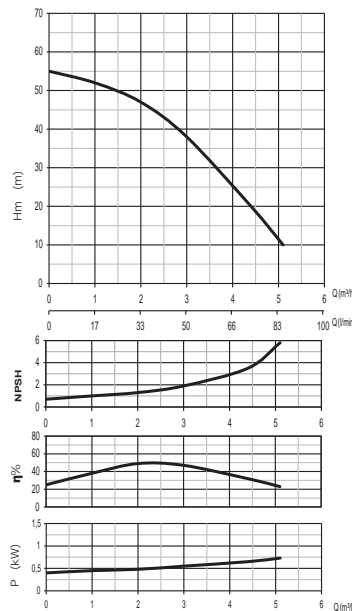
MOTOR										PUMP							
TYPE	KW	HWP	V	Hz	A	RPM	CAPACITOR	Hm	Suc. m	Input Output	KG	m ³ /h	1	2	3	4	5
			SINGLE THREE		SINGLE THREE		uf Vc					mss					
SYM6-100/6 SYM6-100/6	0.75	1	220 380	50	5	2.4 2900	20 450	55	-	1"	15.5		52	46	38	25	10
SYM6-150/8 SYM6-150/8	1.1	1.5	220 380	50	5.5	2.8 2900	25 450	72	-	1"	17.5		65	60	48	32	10
SYM6-180/10	1.35	1.8	- 380	50	- 3.2	2900	- -	92	-	1"	17.5		83	72	57	37	10

DIMENSIONS

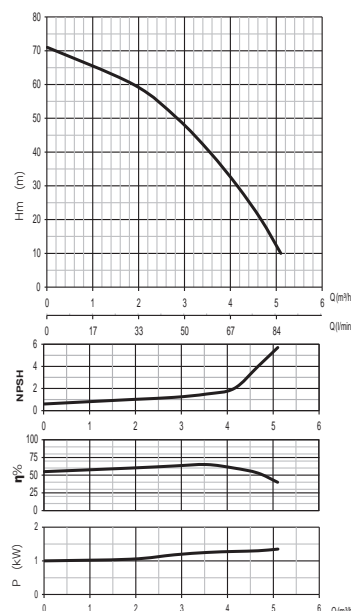
Type	A	B	L	W	E	F	H1	H2	DNA	DNM
SYM6-100/6 SYM6-100/6	94	248	457	190	139	179	142	207	G 1"	G 1"
SYM6-150/8 SYM6-150/8	94	296	505	190	139	179	142	207	G 1"	G 1"
SYM6-180/10	94	344	553	190	139	179	142	207	G 1"	G 1"



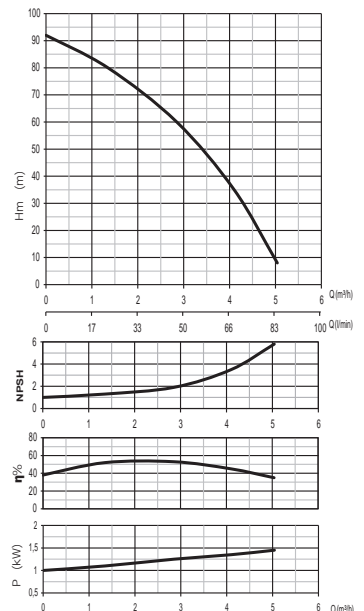
SYM6-100/6



SYM6-150/8



SYM6-180/10



SYM8 - 300/8

Shaft Housing



DEFINITION

These pumps with stainless body and stainless impeller are multistage and high altitude pumps. It's all surfaces in contact with water are made of stainless steel. It is designed for use in clean water, less corrosive industrial and chemical liquids.

These pumps are manufactured at frequencies of 50 Hz and 60 Hz.

USAGE AREAS

These pumps are used in residential areas, industrial facilities, irrigation applications that require pressure, in buildings of up to 14 floors 24 flats, for booster purposes in villas and summer houses, for water supply from wells and tanks and for garden irrigation.

PUMP MATERIAL PROPERTIES

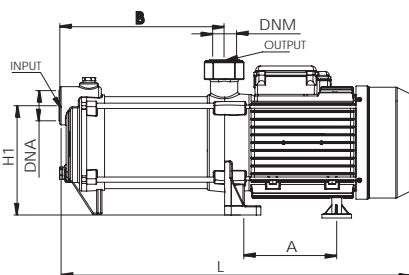
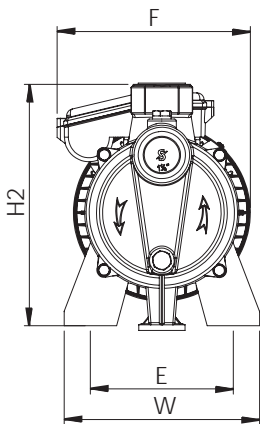
PUMP BODY	AISI 304 INOX
IMPELLER	NORYL
SHAFT	AISI 420
FLOW RATE (max.)	8 m ³ /hour
TOTAL HEAD (max.)	135 m
LIQUID PUMPING TEMPERATURE	0-45°C
PROTECTION CLASS	IP 54
INSULATION	CI.F
SEAL	CERAMIC / CARBON
PUMP DURABILITY PRESSURE (Pmax)	16 bar

TECHNICAL SPECIFICATIONS

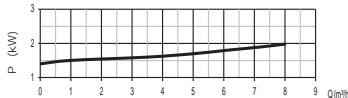
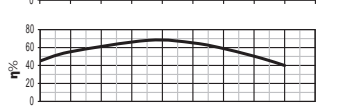
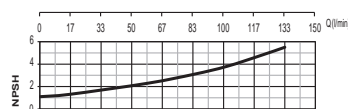
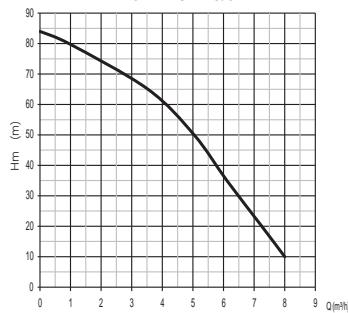
MOTOR										PUMP									
TYPE	KW/HP	V		Hz	A		RPM	CAPACITOR		Hm	Suc. m	Input Output	KG	m ³ /h					
		SINGLE	THREE		SINGLE	THREE		uf	Vc						1	3	5	6	7
SYM8-220/6 SYMT8-220/6	1.6 / 2.2	220	380	50	10	4.8	2900	45	450	83	-	1 1/4	25	mss	80	68	50	35	23
SYM8-300/8 SYMT8-300/8	2.2 / 3	220	380	50	-	5.4	2900	50	450	110	-	1 1/4	27		105	92	70	50	30
SYMT8-400/10	3 / 4	-	380	50	-	6.4	2900	-	-	135	-	1 1/4	28		128	110	80	62	40

DIMENSIONS

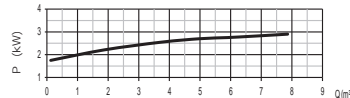
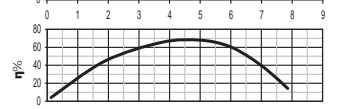
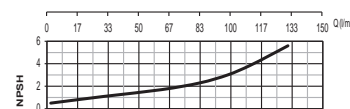
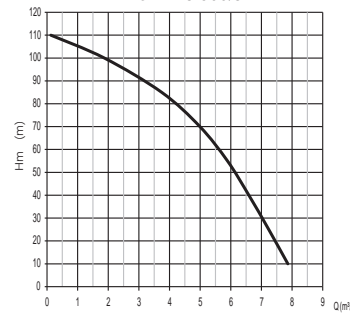
Type	A	B	L	W	E	F	H1	H2	DNA	DNM
SYM8-220/6 SYMT8-220/6	142	250	531	190	139	172	166	235	G 1 1/4	G 1 1/4
SYM8-300/8 SYMT8-300/8	142	296	580	190	139	172	166	235	G 1 1/4	G 1 1/4
SYMT8-400/10	142	343	626	190	139	172	166	235	G 1 1/4	G 1 1/4



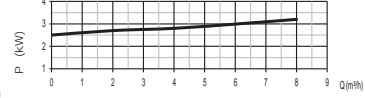
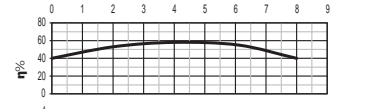
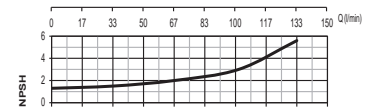
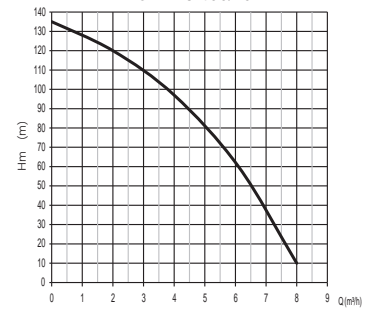
SYMT8-220/6



SYMT8-300/8



SYMT8-400/10



SYM12 - 300/6

Shaft Housing



DEFINITION

These pumps with stainless body and stainless impeller are multistage and high altitude pumps. It's all surfaces in contact with water are made of stainless steel. It is designed for use in clean water, less corrosive industrial and chemical liquids.

These pumps are manufactured at frequencies of 50 Hz and 60 Hz.

USAGE AREAS

These pumps are used in residential areas, industrial facilities, irrigation applications that require pressure, in buildings of up to 10 floors 30 flats, for booster purposes in villas and summer houses, for water supply from wells and tanks and for garden irrigation.

PUMP MATERIAL PROPERTIES

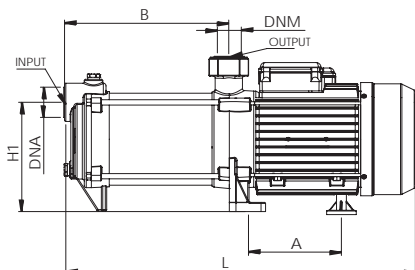
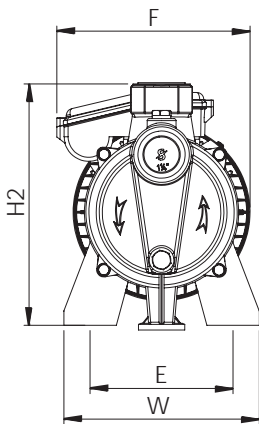
PUMP BODY	AISI 304 INOX
IMPELLER	NORYL
SHAFT	AISI 420
FLOW RATE (max.)	12 m ³ /hour
TOTAL HEAD (max.)	96 m
LIQUID PUMPING TEMPERATURE	0-45°C
PROTECTION CLASS	IP 54
INSULATION	Cl.F
SEAL	CERAMIC / CARBON
PUMP DURABILITY PRESSURE (Pmax)	12 bar

TECHNICAL SPECIFICATIONS

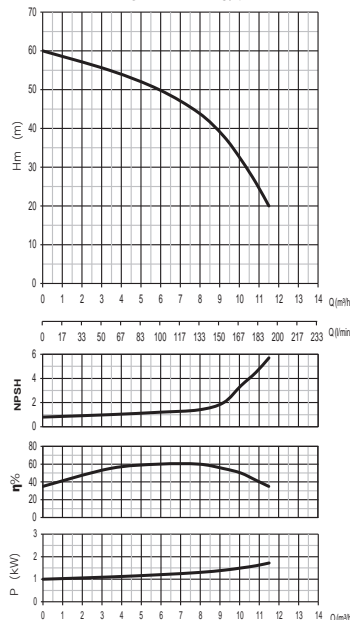
MOTOR										PUMP										
TYPE	KW	HP	V		Hz	A		RPM	CAPACITOR		Hm	Suc. m	Input Output	KG	m ³ /h	2	4	6	8	10
			SINGLE	THREE		SINGLE	THREE		uf	Vc										
SYM12-220/4 SYMT12-220/4	1.6	2.2	220	380	50	11	5.5	2900	45	450	60	-	1 1/4 1 1/4	23.5	mss	57	53	50	43	32
SYM12-300/6 SYMT12-300/6	2.2	3	220	380	50	-	5.7	2900	50	450	82	-	1 1/4 1 1/4	26.5		78	72	63	53	38
SYMT12-400/7	3	4	-	380	50	-	6.4	2900	-	-	96	-	1 1/4 1 1/4	27		92	88	78	65	48

DIMENSIONS

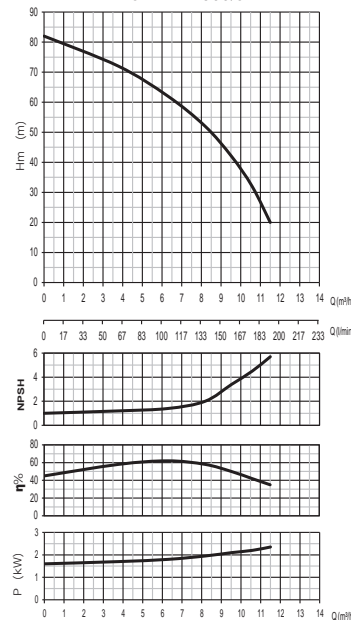
Type	A	B	L	W	E	F	H1	H2	DNA	DNM
SYM12-220/4 SYMT12-220/4	142	221	505	190	139	172	166	235	G 1 1/4	G 1 1/4
SYM12-300/6 SYMT12-300/6	142	278	560	190	139	172	166	235	G 1 1/4	G 1 1/4
SYMT12-400/7	142	306	590	190	139	172	166	235	G 1 1/4	G 1 1/4



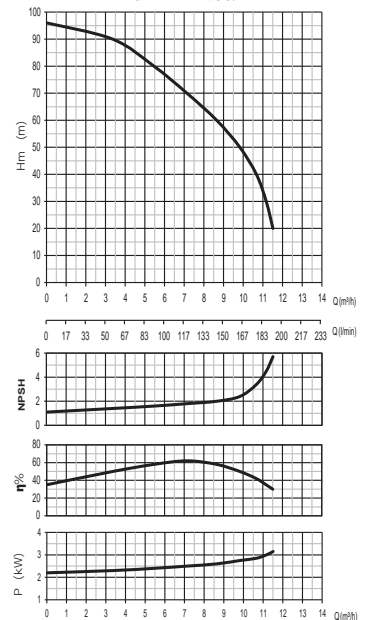
SYM12-220/4



SYM12-300/6



SYM12-400/7



SYT32



DEFINITION

These pumps are high altitude and high flow pumps with cast iron body, cast iron impeller, horizontal shaft, multistage and coupling connection.

It is designed to be used in pressurizing low viscosity liquids that are non-corrosive, non-flammable, and do not contain solid particles and fibers. These pumps are manufactured at frequencies of 50 Hz and 60 Hz.

USAGE AREAS

These pumps are used in industrial facilities, washing systems, agricultural and drip irrigation, treatment facilities, mining and iron and steel industry, boiler feeding and condensate, heating and cooling systems, booster and fire systems.

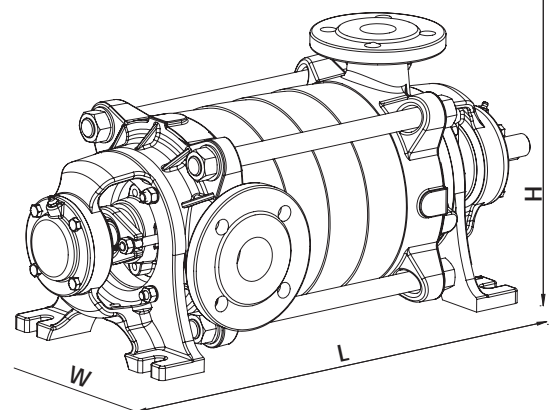
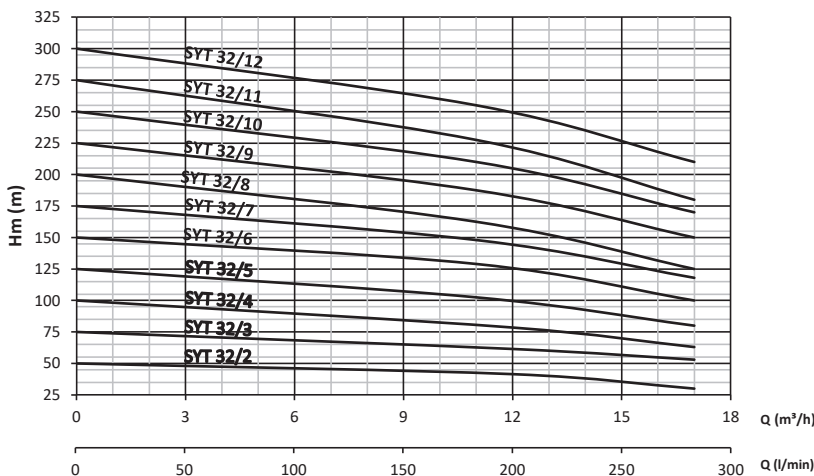
PUMP MATERIAL PROPERTIES

PUMP BODY	GG25 CAST IRON
IMPELLER	GG25 CAST IRON
SHAFT	AISI 420
FLOW RATE (max.)	17 m ³ /hour
TOTAL HEAD (max.)	300 m
LIQUID PUMPING TEMPERATURE	0-45°C - (*120°C)
SEAL	SOFT SEAL
INPUT FLANGE	DN 40 PN 16
OUTPUT FLANGE	DN 32 PN 16
PUMP DURABILITY PRESSURE (Pmax)	30 bar

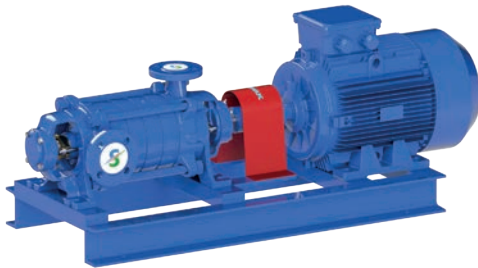
TECHNICAL SPECIFICATIONS

MOTOR					PUMP													
TYPE	KW	V	Hz	RPM	Hm	STAGE	INPUT	OUTPUT	W	L	H	KG	m ³ /h	6	8	10	12	16
SYT32/2	4	380	50	2900	50	2	DN40	DN32	285	520	284	48.5	mss	48	47	46	44	35
SYT32/3	5.5	380	50	2900	75	3	DN40	DN32	285	563	284	56.5		73	72	70	65	52
SYT32/4	5.5	380	50	2900	100	4	DN40	DN32	285	606	284	65.5		98	95	91	86	68
SYT32/5	7.5	380	50	2900	125	5	DN40	DN32	285	649	284	72.5		123	120	115	110	85
SYT32/6	11	380	50	2900	150	6	DN40	DN32	285	692	284	78.5		147	145	139	130	106
SYT32/7	11	380	50	2900	175	7	DN40	DN32	285	735	284	86.5		162	152	150	140	125
SYT32/8	11	380	50	2900	200	8	DN40	DN32	285	778	284	94.5		180	175	162	155	135
SYT32/9	15	380	50	2900	225	9	DN40	DN32	285	821	284	102.5		205	200	188	180	155
SYT32/10	15	380	50	2900	250	10	DN40	DN32	285	864	284	110.5		230	223	213	205	176
SYT32/11	18.5	380	50	2900	275	11	DN40	DN32	285	907	284	120.5		250	246	229	220	185
SYT32/12	18.5	380	50	2900	300	12	DN40	DN32	285	950	284	130.5		275	263	261	250	215

*Optionally, it can be manufactured to be used in hot water applications up to 120 °C.
NOTE: The dimensions and weights in the table only for the bare pump (without motor and chase).



SYT40



DEFINITION

These pumps are high altitude and high flow pumps with cast iron body, cast iron impeller, horizontal shaft, multistage and coupling connection.

It is designed to be used in pressurizing low viscosity liquids that are non-corrosive, non-flammable, and do not contain solid particles and fibers. These pumps are manufactured at frequencies of 50 Hz and 60 Hz

USAGE AREAS

These pumps are used in industrial facilities, washing systems, agricultural and drip irrigation, treatment facilities, mining and iron and steel industry, boiler feeding and condensate, heating and cooling systems, booster and fire systems.

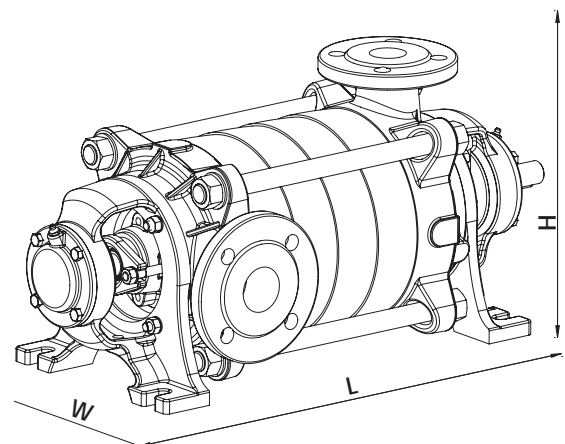
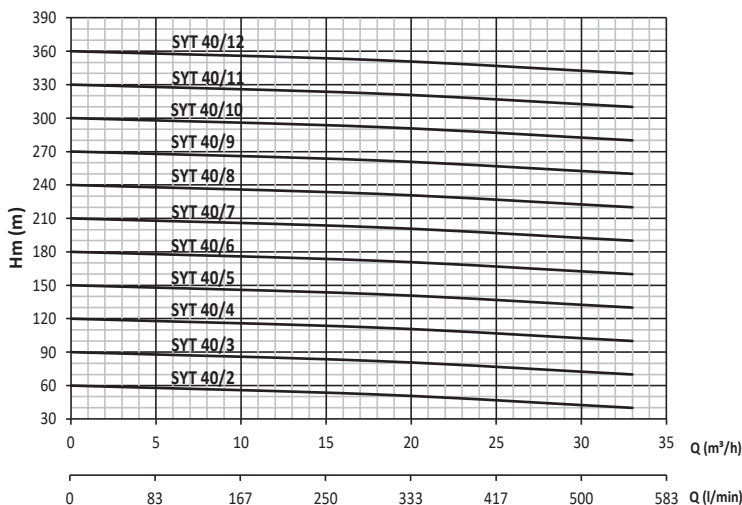
PUMP MATERIAL PROPERTIES

PUMP BODY	GG25 CAST IRON
IMPELLER	GG25 CAST IRON
SHAFT	AISI 420
FLOW RATE (max.)	32 m ³ /hour
TOTAL HEAD (max.)	360 m
LIQUID PUMPING TEMPERATURE	0-45° - (*120°C)
SEAL	SOFT SEAL
INPUT FLANGE	DN 50 PN 16
OUTPUT FLANGE	DN 40 PN 16
PUMP DURABILITY PRESSURE (Pmax)	30 bar

TECHNICAL SPECIFICATIONS

MOTOR					PUMP													
TYPE	KW	V	Hz	RPM	Hm	STAGE	INPUT	OUTPUT	W	L	H	KG	m ³ /h					
													10	15	20	25	30	
SYT40/2	7.5	380	50	2900	60	2	DN50	DN40	335	536	335	45	mss	55	52	50	48	42
SYT40/3	11	380	50	2900	90	3	DN50	DN40	335	591	335	55		85	82	80	78	72
SYT40/4	15	380	50	2900	120	4	DN50	DN40	335	646	335	65.5		115	112	110	108	102
SYT40/5	18.5	380	50	2900	150	5	DN50	DN40	335	701	335	75.5		145	142	140	138	132
SYT40/6	22	380	50	2900	180	6	DN50	DN40	335	756	335	86		175	172	170	168	162
SYT40/7	30	380	50	2900	210	7	DN50	DN40	335	811	335	96.5		205	202	200	198	192
SYT40/8	30	380	50	2900	240	8	DN50	DN40	335	866	335	108		235	232	230	228	222
SYT40/9	37	380	50	2900	270	9	DN50	DN40	335	921	335	119.5		265	262	260	258	252
SYT40/10	45	380	50	2900	300	10	DN50	DN40	335	976	335	131		295	292	290	288	282
SYT40/11	45	380	50	2900	330	11	DN50	DN40	335	1031	335	143.5		325	322	320	318	312
SYT40/12	55	380	50	2900	360	12	DN50	DN40	335	1086	335	155		355	352	350	348	342

*Optionally, it can be manufactured to be used in hot water applications up to 120 °C.
NOTE: The dimensions and weights in the table only for the bare pump (without motor and chase).



SYT50



DEFINITION

These pumps are high altitude and high flow pumps with cast iron body, cast iron impeller, horizontal shaft, multistage and coupling connection.

It is designed to be used in pressurizing low viscosity liquids that are non-corrosive, non-flammable, and do not contain solid particles and fibers. These pumps are manufactured at frequencies of 50 Hz and 60 Hz.

USAGE AREAS

These pumps are used in industrial facilities, washing systems, agricultural and drip irrigation, treatment facilities, mining and iron and steel industry, boiler feeding and condensate, heating and cooling systems, booster and fire systems.

PUMP MATERIAL PROPERTIES

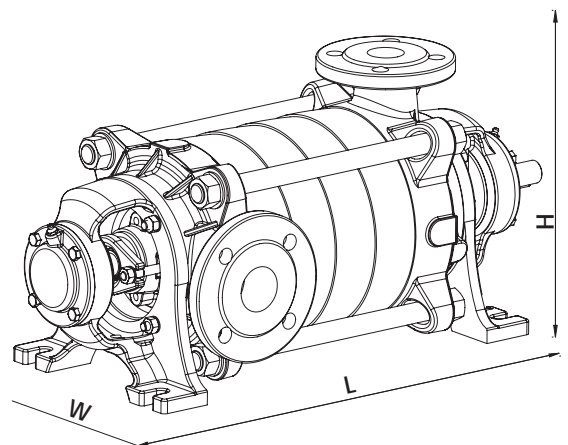
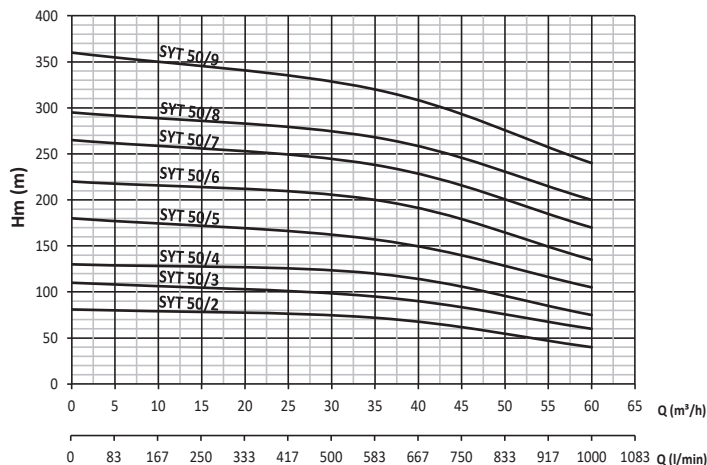
PUMP BODY	GG25 CAST IRON
IMPELLER	GG25 CAST IRON
SHAFT	AISI 420
FLOW RATE (max.)	60 m ³ /hour
TOTAL HEAD (max.)	360 m
LIQUID PUMPING TEMPERATURE	0-45° - (*120°C)
SEAL	SOFT SEAL
INPUT FLANGE	DN 65 PN 16
OUTPUT FLANGE	DN 50 PN 16
PUMP DURABILITY PRESSURE (Pmax)	30 bar

TECHNICAL SPECIFICATIONS

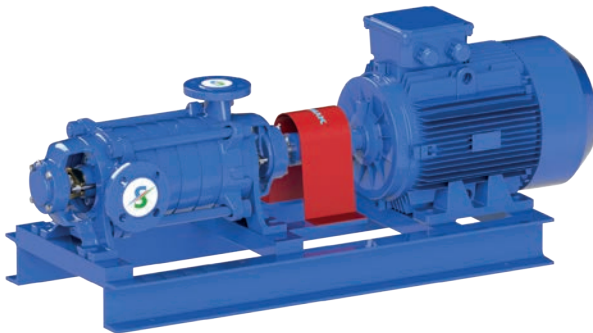
MOTOR					PUMP												
TYPE	KW	V	Hz	RPM	Hm	STAGE	INPUT	OUTPUT	W mm	L mm	H mm	KG	m ³ /h	35	40	45	50
SYT50/2	15	380	50	2900	81	2	DN65	DN50	350	581	350	104	ms	72	65	60	50
SYT50/3	18.5	380	50	2900	110	3	DN65	DN50	350	643	350	122		95	87	80	75
SYT50/4	22	380	50	2900	130	4	DN65	DN50	350	705	350	140		120	110	100	95
SYT50/5	30	380	50	2900	180	5	DN65	DN50	350	767	350	158		157	150	145	130
SYT50/6	37	380	50	2900	220	6	DN65	DN50	350	829	350	176		200	192	182	170
SYT50/7	45	380	50	2900	265	7	DN65	DN50	350	891	350	195		238	230	218	200
SYT50/8	55	380	50	2900	295	8	DN65	DN50	350	953	350	213		268	260	250	230
SYT50/9	75	380	50	2900	360	9	DN65	DN50	350	1015	350	232		320	310	298	280

*Optionally, it can be manufactured to be used in hot water applications up to 120 °C.

NOTE: The dimensions and weights in the table only for the bare pump (without motor and chase).



SYT65



DEFINITION

These pumps are high altitude and high flow pumps with cast iron body, cast iron impeller, horizontal shaft, multistage and coupling connection.

It is designed to be used in pressurizing low viscosity liquids that are non-corrosive, non-flammable, and do not contain solid particles and fibers. These pumps are manufactured at frequencies of 50 Hz and 60 Hz.

USAGE AREAS

These pumps are used in industrial facilities, washing systems, agricultural and drip irrigation, treatment facilities, mining and iron and steel industry, boiler feeding and condensate, heating and cooling systems, booster and fire systems.

PUMP MATERIAL PROPERTIES

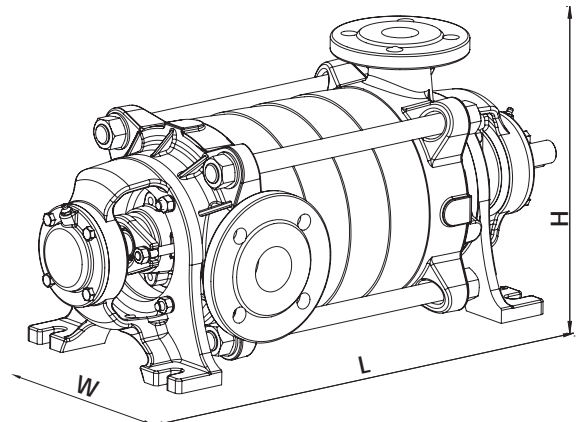
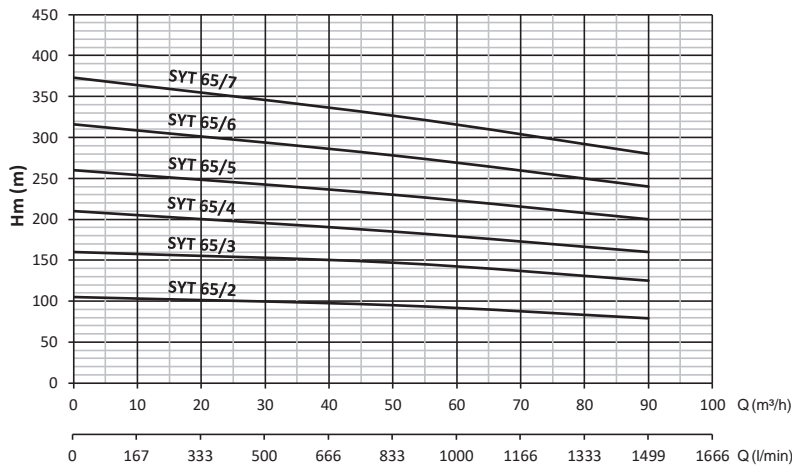
PUMP BODY	GG25 CAST IRON
IMPELLER	GG25 CAST IRON
SHAFT	AISI 420
FLOW RATE (max.)	90 m ³ /hour
TOTAL HEAD (max.)	365 m
LIQUID PUMPING TEMPERATURE	0-45° - (*120°C)
SEAL	SOFT SEAL
INPUT FLANGE	DN 80 PN 16
OUTPUT FLANGE	DN 65 PN 16
PUMP DURABILITY PRESSURE (Pmax)	30 bar

TECHNICAL SPECIFICATIONS

MOTOR					PUMP													
TYPE	KW	V	Hz	RPM	Hm	STAGE	INPUT	OUTPUT	W	L	H	KG	m ³ /h	60	70	80	90	
SYT65/2	37	380	50	2900	105	2	DN80	DN65	395	644	395	120	m/s	90	91	82	80	
SYT65/3	55	380	50	2900	160	3	DN80	DN65	395	715	395	142		140	142	130	125	
SYT65/4	75	380	50	2900	210	4	DN80	DN65	395	786	395	164		180	175	166	160	
SYT65/5	90	380	50	2900	260	5	DN80	DN65	395	857	395	186		225	218	210	200	
SYT65/6	110	380	50	2900	315	6	DN80	DN65	395	928	395	208		270	260	250	240	
SYT65/7	110	380	50	2900	375	7	DN80	DN65	395	999	395	230		315	302	290	280	

*Optionally, it can be manufactured to be used in hot water applications up to 120 °C.

NOTE: The dimensions and weights in the table only for the bare pump (without motor and chase).



SYT80



DEFINITION

These pumps are high altitude and high flow pumps with cast iron body, cast iron impeller, horizontal shaft, multi stage and coupling connection.

It is designed to be used in pressurizing low viscosity liquids that are non-corrosive, non-flammable, and do not contain solid particles and fibers. These pumps are manufactured at frequencies of 50 Hz and 60 Hz.

USAGE AREAS

These pumps are used in industrial facilities, washing systems, agricultural and drip irrigation, treatment facilities, mining and iron and steel industry, boiler feeding and condensate, heating and cooling systems, booster and fire systems.

PUMP MATERIAL PROPERTIES

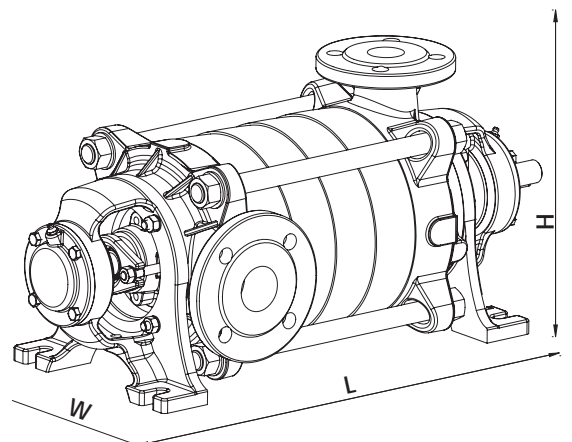
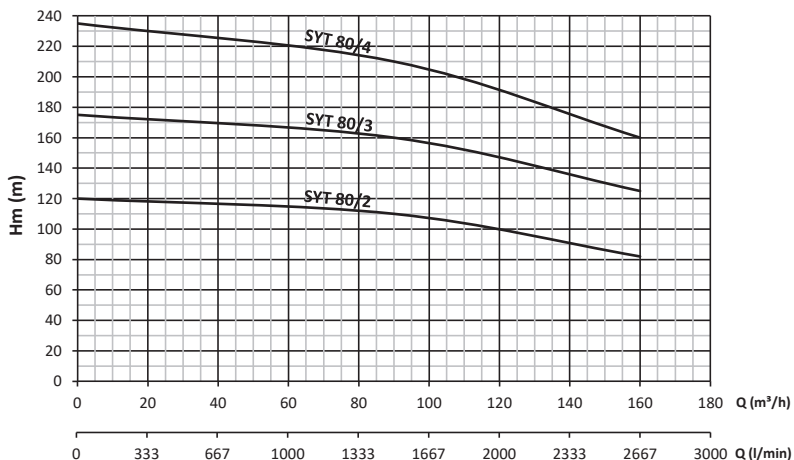
PUMP BODY	GG25 CAST IRON
IMPELLER	GG25 CAST IRON
SHAFT	AISI 420
FLOW RATE (max.)	160 m ³ /hour
TOTAL HEAD (max.)	235 m
LIQUID PUMPING TEMPERATURE	0-45° - (*120°C)
SEAL	SOFT SEAL
INPUT FLANGE	DN 100 PN 16
OUTPUT FLANGE	DN 80 PN 16
PUMP DURABILITY PRESSURE (Pmax)	30 bar

TECHNICAL SPECIFICATIONS

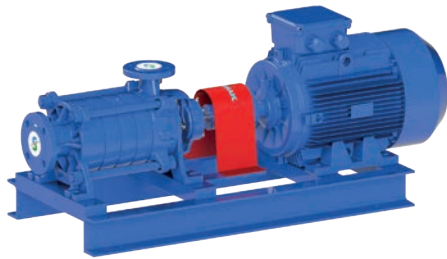
MOTOR				PUMP													
TYPE	KW	V	Hz	RPM	Hm	STAGE	INPUT	OUTPUT	W mm	L mm	H mm	KG	m ³ /h	100	120	140	160
SYT80/2	55	380	50	2900	120	2	DN100	DN80	475	766	475	163	ms	108	100	90	80
SYT80/3	90	380	50	2900	175	3	DN100	DN80	475	849	475	194		157	147	135	125
SYT80/4	110	380	50	2900	235	4	DN100	DN80	475	932	475	225		205	191	175	160

*Optionally, it can be manufactured to be used in hot water applications up to 120 °C.

NOTE: The dimensions and weights in the table only for the bare pump (without motor and chase).



SYT32/12E



DEFINITION

These pumps are high altitude and high flow pumps with cast iron body, cast iron impeller, horizontal shaft, end suction, multistage and coupling connection. It is designed to be used in pressurizing low viscosity liquids that are non-corrosive, non-flammable, and do not contain solid particles and fibers. These pumps are manufactured at frequencies of 50 Hz and 60 Hz.

USAGE AREAS

These pumps are used in industrial facilities, washing systems, agricultural and drip irrigation, treatment facilities, mining and iron and steel industry, boiler feeding and condensate, heating and cooling systems, booster and fire systems.

PUMP MATERIAL PROPERTIES

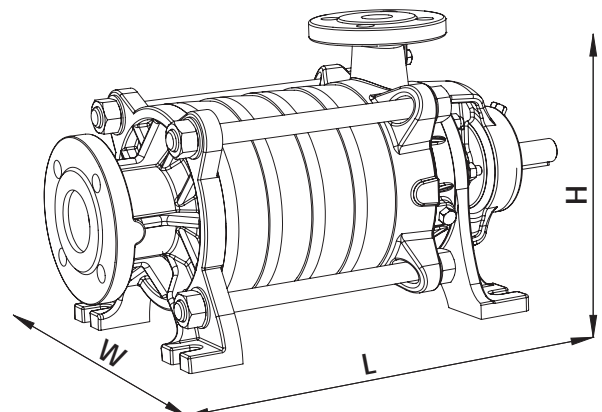
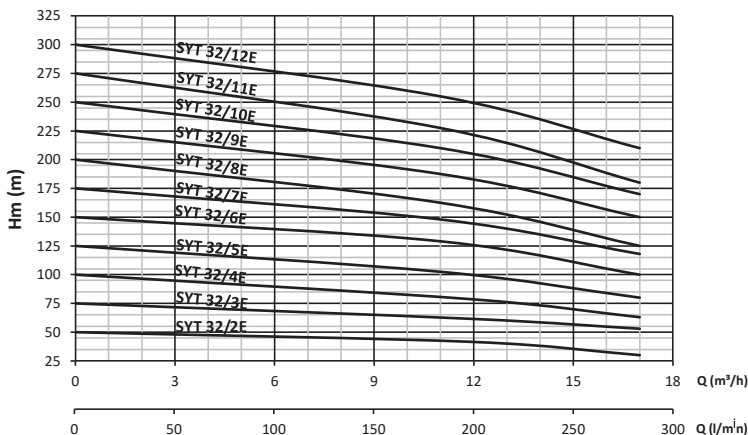
PUMP BODY	GG25 CAST IRON
IMPELLER	GG25 CAST IRON
SHAFT	AISI 420
FLOW RATE (max.)	17 m ³ /hour
TOTAL HEAD (max.)	300 m
LIQUID PUMPING TEMPERATURE	0-45° - (*120°C)
SEAL	SOFT SEAL
INPUT FLANGE	DN 50 PN 16
OUTPUT FLANGE	DN 32 PN 16
PUMP DURABILITY PRESSURE (Pmax)	30 bar

TECHNICAL SPECIFICATIONS

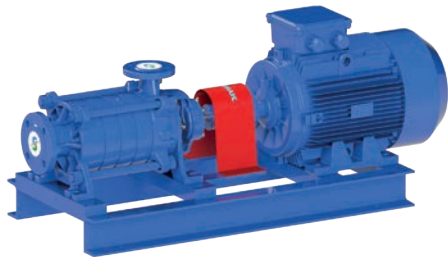
MOTOR					PUMP													
TYPE	KW	V	Hz	RPM	Hm	STAGE	INPUT	OUTPUT	W	L	H	KG	m ³ /h	6	8	10	12	16
									mm	mm	mm		mss					
SYT32/2E	4	380	50	2900	50	2	DN50	DN32	260	416	297	48.5		48	46	44	42	35
SYT32/3E	5.5	380	50	2900	75	3	DN50	DN32	260	464	297	56.5		73	72	70	65	52
SYT32/4E	5.5	380	50	2900	100	4	DN50	DN32	260	512	297	65.5		98	95	91	86	68
SYT32/5E	7.5	380	50	2900	125	5	DN50	DN32	260	560	297	72.5		123	120	115	110	85
SYT32/6E	11	380	50	2900	150	6	DN50	DN32	260	608	297	78.5		147	145	139	130	106
SYT32/7E	11	380	50	2900	175	7	DN50	DN32	260	656	297	86.5		162	152	150	140	125
SYT32/8E	11	380	50	2900	200	8	DN50	DN32	260	704	297	94.5		180	175	162	155	135
SYT32/9E	15	380	50	2900	225	9	DN50	DN32	260	752	297	102.5		205	200	188	180	155
SYT32/10E	15	380	50	2900	250	10	DN50	DN32	260	800	297	110.5		230	223	213	205	176
SYT32/11E	18.5	380	50	2900	275	11	DN50	DN32	260	848	297	120.5		250	246	229	220	185
SYT32/12E	18.5	380	50	2900	300	12	DN50	DN32	260	896	297	130.5		275	263	261	250	215

*Optionally, it can be manufactured to be used in hot water applications up to 120 °C.

NOTE: The dimensions and weights in the table only for the bare pump (without motor and chase).



SYT40/12E



DEFINITION

These pumps are high altitude and high flow pumps with cast iron body, cast iron impeller, horizontal shaft, end suction, multistage and coupling connection. It is designed to be used in pressurizing low viscosity liquids that are non-corrosive, non-flammable, and do not contain solid particles and fibers. These pumps are manufactured at frequencies of 50 Hz and 60 Hz.

USAGE AREAS

These pumps are used in industrial facilities, washing systems, agricultural and drip irrigation, treatment facilities, mining and iron and steel industry, boiler feeding and condensate, heating and cooling systems, booster and fire systems.

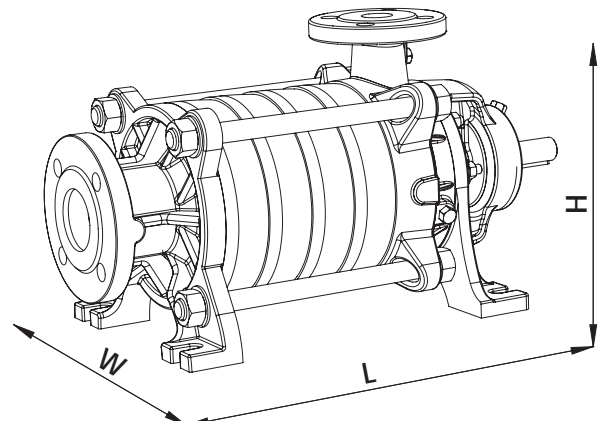
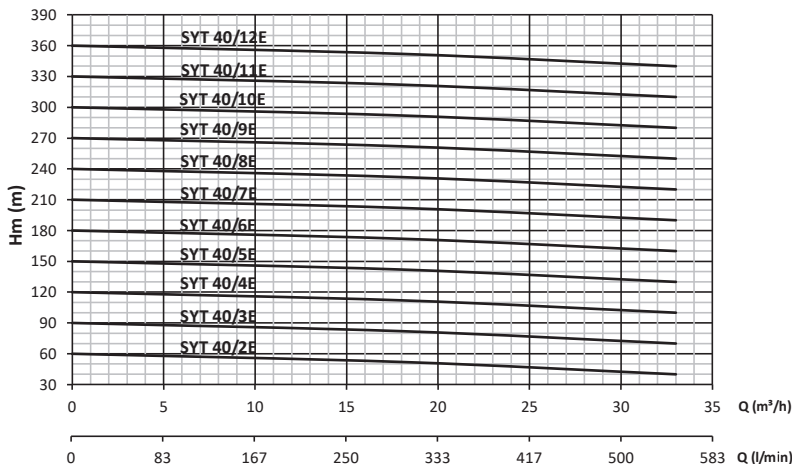
PUMP MATERIAL PROPERTIES

PUMP BODY	GG25 CAST IRON
IMPELLER	GG25 CAST IRON
SHAFT	AISI 420
FLOW RATE (max.)	32 m ³ /hour
TOTAL HEAD (max.)	360 m
LIQUID PUMPING TEMPERATURE	0-45° - (*120°C)
SEAL	SOFT SEAL
INPUT FLANGE	DN 65 PN 16
OUTPUT FLANGE	DN 40 PN 16
PUMP DURABILITY PRESSURE (Pmax)	30 bar

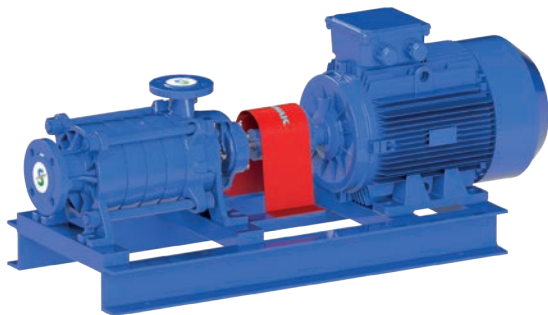
TECHNICAL SPECIFICATIONS

MOTOR					PUMP													
TYPE	KW	V	Hz	RPM	Hm	STAGE	INPUT	OUTPUT	W mm	L mm	H mm	KG	m ³ /h	10	15	20	25	30
SYT40/2E	7.5	380	50	2900	60	2	DN65	DN40	260	440	305	45	mss	55	52	50	48	42
SYT40/3E	11	380	50	2900	90	3	DN65	DN40	260	495	305	55		85	82	80	78	72
SYT40/4E	15	380	50	2900	120	4	DN65	DN40	260	550	305	65		115	112	110	108	102
SYT40/5E	18.5	380	50	2900	150	5	DN65	DN40	260	605	305	75		145	142	140	138	132
SYT40/6E	22	380	50	2900	180	6	DN65	DN40	260	660	305	86		175	172	170	168	162
SYT40/7E	30	380	50	2900	210	7	DN65	DN40	260	715	305	96.5		205	202	200	198	192
SYT40/8E	30	380	50	2900	240	8	DN65	DN40	260	770	305	108		235	232	230	228	222
SYT40/9E	37	380	50	2900	270	9	DN65	DN40	260	825	305	119.5		265	262	260	258	252
SYT40/10E	45	380	50	2900	300	10	DN65	DN40	260	880	305	131		295	292	290	288	282
SYT40/11E	45	380	50	2900	330	11	DN65	DN40	260	935	305	143.5		325	322	320	318	312
SYT40/12E	55	380	50	2900	360	12	DN65	DN40	260	990	305	155		355	352	350	348	342

*Optionally, it can be manufactured to be used in hot water applications up to 120 °C.
NOTE: The dimensions and weights in the table only for the bare pump (without motor and chase).



SYT50/9E



DEFINITION

These pumps are high altitude and high flow pumps with cast iron body, cast iron impeller, horizontal shaft, end suction, multistage and coupling connection. It is designed to be used in pressurizing low viscosity liquids that are non-corrosive, non-flammable, and do not contain solid particles and fibers.

These pumps are manufactured at frequencies of 50 Hz and 60 Hz.

USAGE AREAS

These pumps are used in industrial facilities, washing systems, agricultural and drip irrigation, treatment facilities, mining and iron and steel industry, boiler feeding and condensate, heating and cooling systems, booster and fire systems.

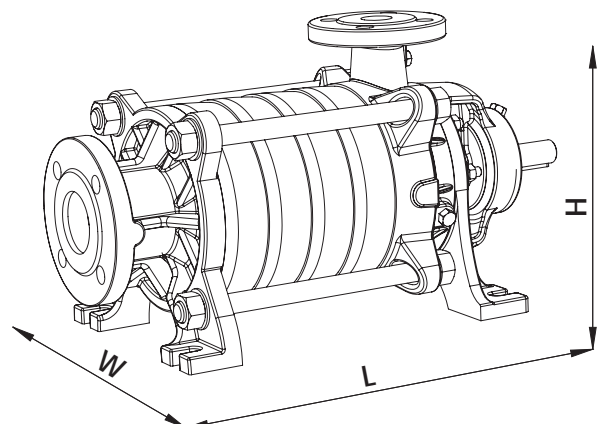
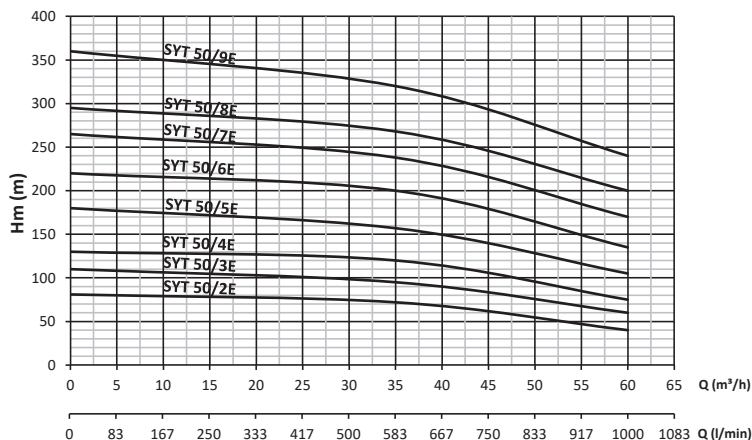
PUMP MATERIAL PROPERTIES

PUMP BODY	GG25 CAST IRON
IMPELLER	GG25 CAST IRON
SHAFT	AISI 420
FLOW RATE (max.)	60 m ³ /hour
TOTAL HEAD (max.)	360 m
LIQUID PUMPING TEMPERATURE	0-45° - (*120°C)
SEAL	SOFT SEAL
INPUT FLANGE	DN 80 PN 16
OUTPUT FLANGE	DN 50 PN 16
PUMP DURABILITY PRESSURE (Pmax)	30 bar

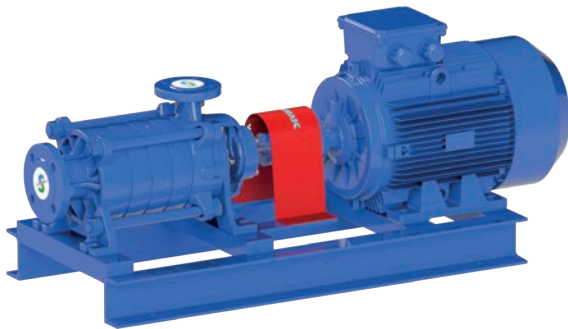
TECHNICAL SPECIFICATIONS

MOTOR				PUMP													
TYPE	KW	V	Hz	RPM	Hm	STAGE	INPUT	OUTPUT	W mm	L mm	H mm	KG	m ³ /h	35	40	45	50
SYT50/2E	15	380	50	2900	81	2	DN80	DN50	330	493	370	104	mss	72	65	60	50
SYT50/3E	18.5	380	50	2900	110	3	DN80	DN50	330	560	370	122		95	80	78	75
SYT50/4E	22	380	50	2900	130	4	DN80	DN50	330	627	370	140		120	110	100	95
SYT50/5E	30	380	50	2900	180	5	DN80	DN50	330	694	370	158		157	150	145	130
SYT50/6E	37	380	50	2900	220	6	DN80	DN50	330	761	370	176		200	192	182	170
SYT50/7E	45	380	50	2900	265	7	DN80	DN50	330	828	370	195		238	230	218	200
SYT50/8E	55	380	50	2900	295	8	DN80	DN50	330	895	370	213		268	260	250	230
SYT50/9E	75	380	50	2900	360	9	DN80	DN50	330	962	370	232		320	310	298	280

*Optionally, it can be manufactured to be used in hot water applications up to 120 °C.
NOTE: The dimensions and weights in the table only for the bare pump (without motor and chase).



SYT65/7E



DEFINITION

These pumps are high altitude and high flow pumps with cast iron body, cast iron impeller, horizontal shaft, end suction, multistage and coupling connection. It is designed to be used in pressurizing low viscosity liquids that are non-corrosive, non-flammable, and do not contain solid particles and fibers.

These pumps are manufactured at frequencies of 50 Hz and 60 Hz.

USAGE AREAS

These pumps are used in industrial facilities, washing systems, agricultural and drip irrigation, treatment facilities, mining and iron and steel industry, boiler feeding and condensate, heating and cooling systems, booster and fire systems.

PUMP MATERIAL PROPERTIES

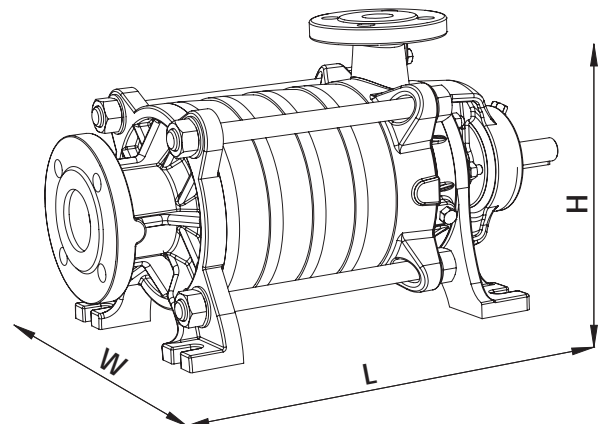
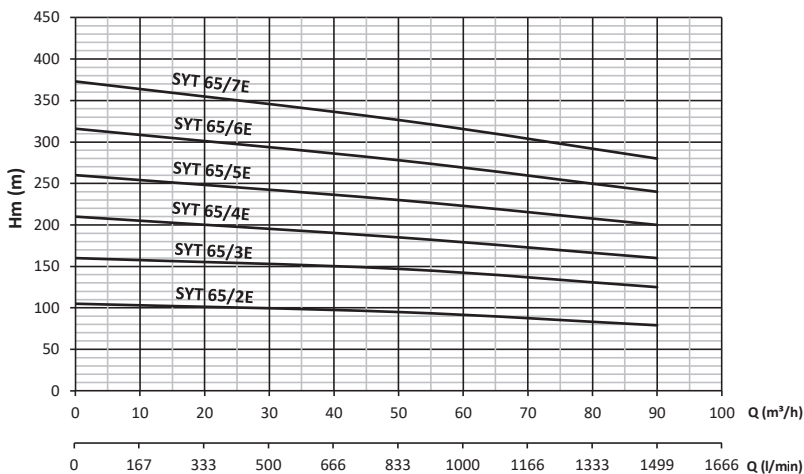
PUMP BODY	GG25 CAST IRON
IMPELLER	GG25 CAST IRON
SHAFT	AISI 420
FLOW RATE (max.)	90 m ³ /hour
TOTAL HEAD (max.)	365 m
LIQUID PUMPING TEMPERATURE	0-45° - (*120°C)
SEAL	SOFT SEAL
INPUT FLANGE	DN 100 PN 16
OUTPUT FLANGE	DN 65 PN 16
PUMP DURABILITY PRESSURE (Pmax)	30 bar

TECHNICAL SPECIFICATIONS

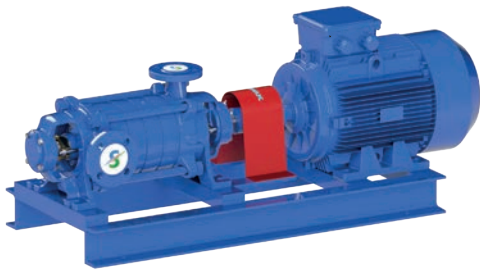
MOTOR					PUMP													
TYPE	KW	V	Hz	RPM	Hm	STAGE	INPUT	OUTPUT	W	L	H	KG	m ³ /h	60	70	80	90	
													m/s					
														90	91	82	80	
SYT65/2E	37	380	50	2900	105	2	DN100	DN65	395	554	395	120			140	142	130	125
SYT65/3E	55	380	50	2900	160	3	DN100	DN65	395	625	395	142			180	175	166	160
SYT65/4E	75	380	50	2900	210	4	DN100	DN65	395	696	395	164			225	218	210	200
SYT65/5E	90	380	50	2900	260	5	DN100	DN65	395	767	395	186			270	260	250	240
SYT65/6E	110	380	50	2900	315	6	DN100	DN65	395	838	395	208			315	302	290	280
SYT65/7E	110	380	50	2900	375	7	DN100	DN65	395	909	395	230						

*Optionally, it can be manufactured to be used in hot water applications up to 120 °C.

NOTE: The dimensions and weights in the table only for the bare pump (without motor and chase).



SYT32



DEFINITION

These pumps are high altitude and high flow pumps with cast iron body, cast iron impeller, horizontal shaft, multistage and coupling connection.

It is designed to be used in pressurizing low viscosity liquids that are non-corrosive, non-flammable, and do not contain solid particles and fibers.

These pumps are manufactured at frequencies of 50 Hz and 60 Hz.

USAGE AREAS

These pumps are used in industrial facilities, washing systems, agricultural and drip irrigation, treatment facilities, mining and iron and steel industry, boiler feeding and condensate, heating and cooling systems, booster and fire systems.

PUMP MATERIAL PROPERTIES

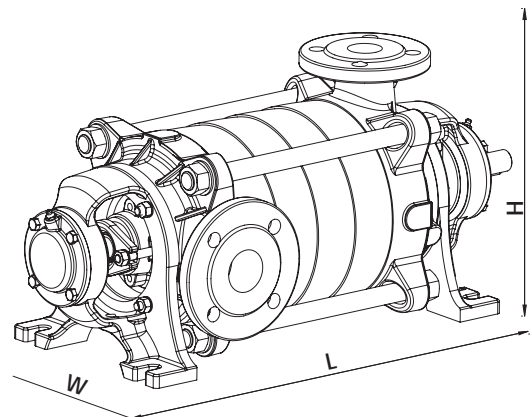
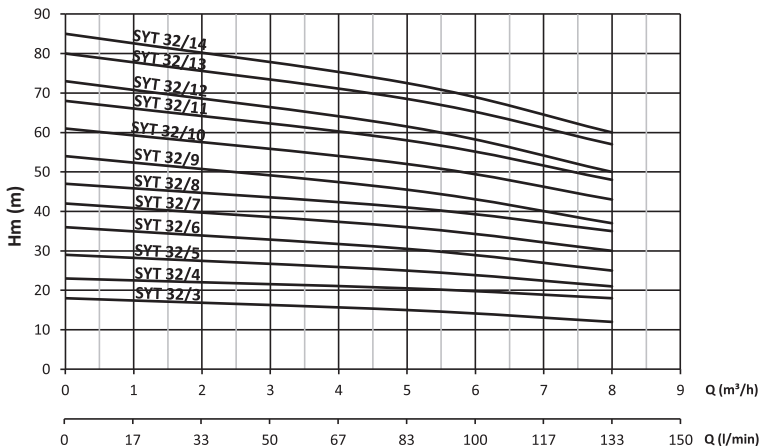
PUMP BODY	GG25 CAST IRON
IMPELLER	GG25 CAST IRON
SHAFT	AISI 420
FLOW RATE (max.)	8 m ³ /hour
TOTAL HEAD (max.)	85 m
LIQUID PUMPING TEMPERATURE	0-45° - (*120°C)
SEAL	SOFT SEAL
INPUT FLANGE	DN 40 PN 16
OUTPUT FLANGE	DN 32 PN 16
PUMP DURABILITY PRESSURE (Pmax)	30 bar

TECHNICAL SPECIFICATIONS

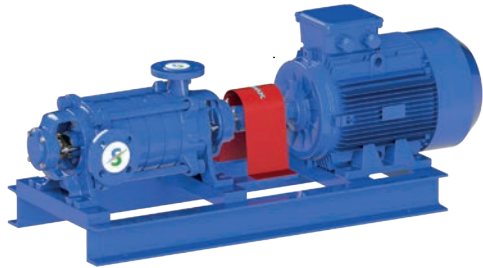
MOTOR					PUMP													
TYPE	KW	V	Hz	RPM	Hm	STAGE	INPUT	OUTPUT	W mm	L mm	H mm	KG	m ³ /h	4	5	6	7	8
SYT32/3	0.75	380	50	1450	19	3	DN40	DN32	285	563	284	56.5	ms	15	14	13.5	12	11
SYT32/4	1.1	380	50	1450	23	4	DN40	DN32	285	606	284	65.5		21	20	19.5	19	18
SYT32/5	1.1	380	50	1450	29	5	DN40	DN32	285	649	284	72.5		26	25	24	22	21
SYT32/6	1.5	380	50	1450	36	6	DN40	DN32	285	692	284	78.5		31	30	29	28	26
SYT32/7	1.5	380	50	1450	42	7	DN40	DN32	285	735	284	86.5		36	35	34.5	32	30
SYT32/8	2.2	380	50	1450	47	8	DN40	DN32	285	778	284	94.5		42	41	39.5	38	35
SYT32/9	2.2	380	50	1450	54	9	DN40	DN32	285	821	284	102.5		47	45	44	40	38
SYT32/10	2.2	380	50	1450	61	10	DN40	DN32	285	864	284	110.5		54	52	49.5	45	42
SYT32/11	3	380	50	1450	68	11	DN40	DN32	285	907	284	120.5		60	58	55	51	48
SYT32/12	3	380	50	1450	73	12	DN40	DN32	285	950	284	130.5		63	61	57	53	50
SYT32/13	3	380	50	1450	80	13	DN40	DN32	285	993	284	140.5		71	68	65	60	57
SYT32/14	4	380	50	1450	85	14	DN40	DN32	285	1036	284	150		75	71	69	64	60

*Optionally, it can be manufactured to be used in hot water applications up to 120 °C.

NOTE: The dimensions and weights in the table only for the bare pump (without motor and chase).



SYT40



DEFINITION

These pumps are high altitude and high flow pumps with cast iron body, cast iron impeller, horizontal shaft, multistage and coupling connection. It is designed to be used in pressurizing low viscosity liquids that are non-corrosive, non-flammable, and do not contain solid particles and fibers. These pumps are manufactured at frequencies of 50 Hz and 60 Hz.

USAGE AREAS

These pumps are used in industrial facilities, washing systems, agricultural and drip irrigation, treatment facilities, mining and iron and steel industry, boiler feeding and condensate, heating and cooling systems, booster and fire systems.

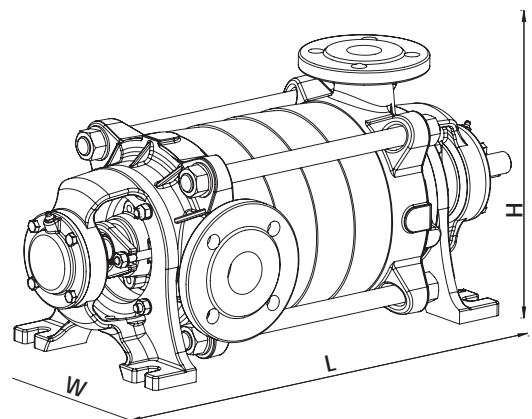
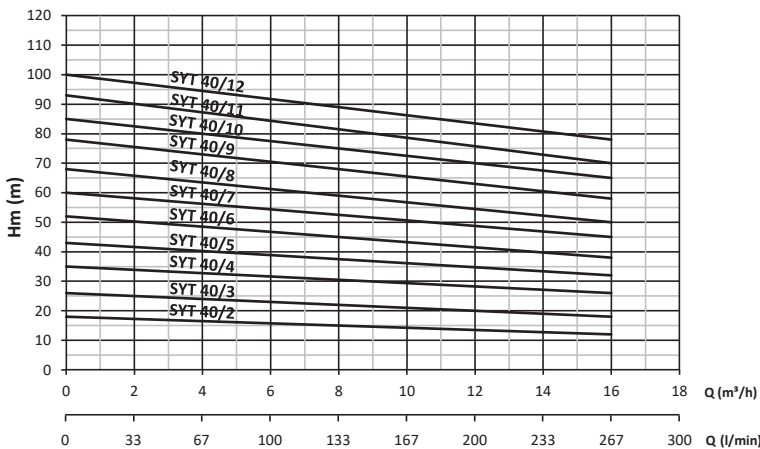
PUMP MATERIAL PROPERTIES

PUMP BODY	GG25 CAST IRON
IMPELLER	GG25 CAST IRON
SHAFT	AISI 420
FLOW RATE (max.)	16 m ³ /hour
TOTAL HEAD (max.)	110 m
LIQUID PUMPING TEMPERATURE	0-45° - (*120°C)
SEAL	SOFT SEAL
INPUT FLANGE	DN 50 PN 16
OUTPUT FLANGE	DN 40 PN 16
PUMP DURABILITY PRESSURE (Pmax)	30 bar

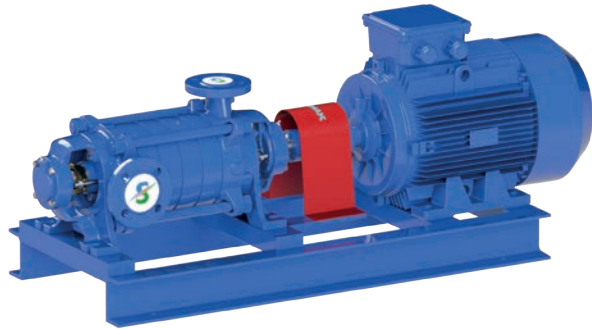
TECHNICAL SPECIFICATIONS

MOTOR					PUMP													
TYPE	KW	Hz	V	RPM	Hm	STAGE	INPUT	OUTPUT	W mm	L mm	H mm	KG	m ³ /h	8	10	12	14	16
SYT40/2	1.1	50	380	1450	18	2	DN50	DN40	335	536	335	45	ms	15	14	13	12	11
SYT40/3	1.5	50	380	1450	26	3	DN50	DN40	335	591	335	55		21	20	19.5	18	17
SYT40/4	2.2	50	380	1450	35	4	DN50	DN40	335	646	335	65		30	29	28	27	25
SYT40/5	3	50	380	1450	43	5	DN50	DN40	335	701	335	75.5		37	35	34.5	32	31
SYT40/6	3	50	380	1450	52	6	DN50	DN40	335	756	335	86		45	43	41	40	39
SYT40/7	4	50	380	1450	60	7	DN50	DN40	335	811	335	96.5		52	50	48	46	45
SYT40/8	4	50	380	1450	68	8	DN50	DN40	335	866	335	108		59	56	54.5	51	50
SYT40/9	5.5	50	380	1450	78	9	DN50	DN40	335	921	335	119.5		67	65	63	60	58
SYT40/10	5.5	50	380	1450	85	10	DN50	DN40	335	976	335	131		75	72	70	68	65
SYT40/11	5.5	50	380	1450	93	11	DN50	DN40	335	1031	335	143		81	78	75	73	70
SYT40/12	7.5	50	380	1450	100	12	DN50	DN40	335	1086	335	155		89	85	83	80	78

*Optionally, it can be manufactured to be used in hot water applications up to 120 °C.
NOTE: The dimensions and weights in the table only for the bare pump (without motor and chase).



SYT50



DEFINITION

These pumps are high altitude and high flow pumps with cast iron body, cast iron impeller, horizontal shaft, multistage and coupling connection. It is designed to be used in pressurizing low viscosity liquids that are non-corrosive, non-flammable, and do not contain solid particles and fibers. These pumps are manufactured at frequencies of 50 Hz and 60 Hz.

USAGE AREAS

These pumps are used in industrial facilities, washing systems, agricultural and drip irrigation, treatment facilities, mining and iron and steel industry, boiler feeding and condensate, heating and cooling systems, booster and fire systems.

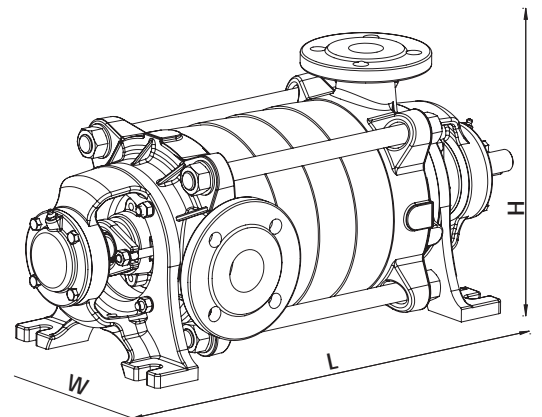
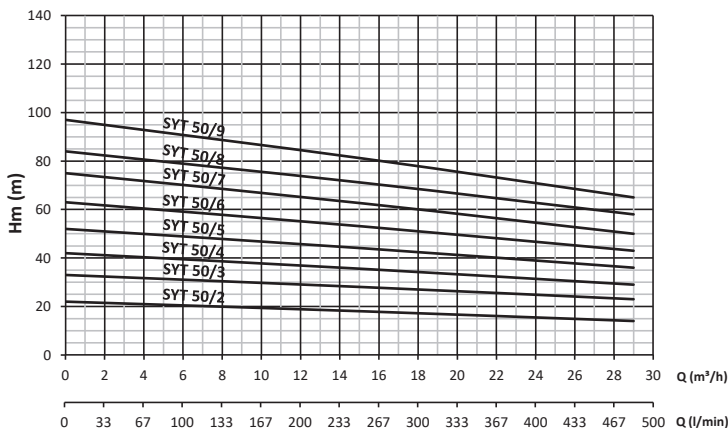
PUMP MATERIAL PROPERTIES

PUMP BODY	GG25 CAST IRON
IMPELLER	GG25 CAST IRON
SHAFT	AISI 420
FLOW RATE (max.)	29 m ³ /hour
TOTAL HEAD (max.)	130 m
LIQUID PUMPING TEMPERATURE	0-45° - (*120°C)
SEAL	SOFT SEAL
INPUT FLANGE	DN 65 PN 16
OUTPUT FLANGE	DN 50 PN 16
PUMP DURABILITY PRESSURE (Pmax)	30 bar

TECHNICAL SPECIFICATIONS

MOTOR					PUMP												
TYPE	KW	V	Hz	RPM	Hm	STAGE	INPUT	OUTPUT	W	L	H	KG	m ³ /h	19	22	25	28
SYT50/2	2.2	380	50	1450	22	2	DN65	DN50	350	581	350	104	mss	16	15.5	15	14.5
SYT50/3	3	380	50	1450	33	3	DN65	DN50	350	643	350	122		26	25	24.5	22
SYT50/4	4	380	50	1450	42	4	DN65	DN50	350	705	350	140		34	32	30	29
SYT50/5	5.5	380	50	1450	52	5	DN65	DN50	350	767	350	158		42	40	37	36
SYT50/6	5.5	380	50	1450	63	6	DN65	DN50	350	829	350	176		50	48	45	43
SYT50/7	7.5	380	50	1450	75	7	DN65	DN50	350	891	350	195		59	56	54	50
SYT50/8	7.5	380	50	1450	84	8	DN65	DN50	350	953	350	213		67	65	62	59
SYT50/9	11	380	50	1450	96	9	DN65	DN50	350	1015	350	232		76	73	70	66

*Optionally, it can be manufactured to be used in hot water applications up to 120 °C.
NOTE: The dimensions and weights in the table only for the bare pump (without motor and chase).



SYT65



DEFINITION

These pumps are high altitude and high flow pumps with cast iron body, cast iron impeller, horizontal shaft, multistage and coupling connection. It is designed to be used in pressurizing low viscosity liquids that are non-corrosive, non-flammable, and do not contain solid particles and fibers. These pumps are manufactured at frequencies of 50 Hz and 60 Hz.

USAGE AREAS

These pumps are used in industrial facilities, washing systems, agricultural and drip irrigation, treatment facilities, mining and iron and steel industry, boiler feeding and condensate, heating and cooling systems, booster and fire systems.

PUMP MATERIAL PROPERTIES

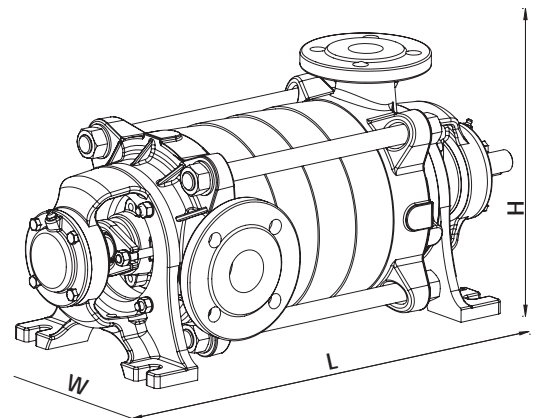
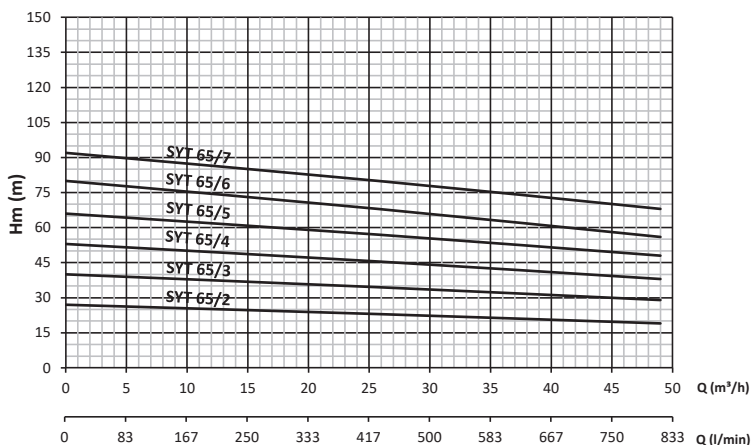
PUMP BODY	GG25 CAST IRON
IMPELLER	GG25 CAST IRON
SHAFT	AISI 420
FLOW RATE (max.)	49 m ³ /hour
TOTAL HEAD (max.)	140 m
LIQUID PUMPING TEMPERATURE	0-45° - (*120°C)
SEAL	SOFT SEAL
INPUT FLANGE	DN 80 PN 16
OUTPUT FLANGE	DN 65 PN 16
PUMP DURABILITY PRESSURE (Pmax)	30 bar

TECHNICAL SPECIFICATIONS

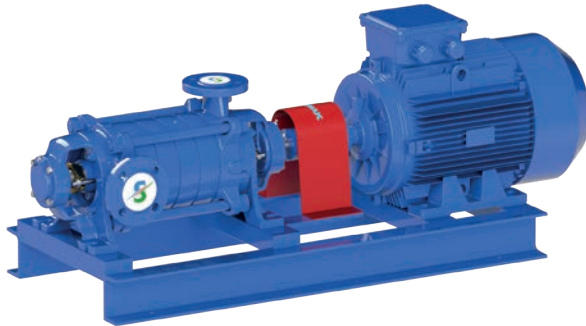
TYPE	MOTOR				PUMP												
	KW	V	Hz	RPM	Hm	STAGE	INPUT	OUTPUT	W mm	L mm	H mm	KG	m ³ /h	34	39	44	49
SYT65/2	4	380	50	1450	26	2	DN80	DN65	395	644	395	120	ms	20	21	20	19
SYT65/3	5.5	380	50	1450	40	3	DN80	DN65	395	715	395	142		32	31	30	29
SYT65/4	11	380	50	1450	53	4	DN80	DN65	395	786	395	164		42	41	40	39
SYT65/5	11	380	50	1450	65	5	DN80	DN65	395	857	395	186		55	52	50	49
SYT65/6	15	380	50	1450	80	6	DN80	DN65	395	928	395	208		64	60	57	55
SYT65/7	15	380	50	1450	92	7	DN80	DN65	395	999	395	230		75	72	70	67

*Optionally, it can be manufactured to be used in hot water applications up to 120 °C.

NOTE: The dimensions and weights in the table only for the bare pump (without motor and chase).



SYT80



DEFINITION

These pumps are high altitude and high flow pumps with cast iron body, cast iron impeller, horizontal shaft, multistage and coupling connection.

It is designed to be used in pressurizing low viscosity liquids that are non-corrosive, non-flammable, and do not contain solid particles and fibers. These pumps are manufactured at frequencies of 50 Hz and 60 Hz.

USAGE AREAS

These pumps are used in industrial facilities, washing systems, agricultural and drip irrigation, treatment facilities, mining and iron and steel industry, boiler feeding and condensate, heating and cooling systems, booster and fire systems.

PUMP MATERIAL PROPERTIES

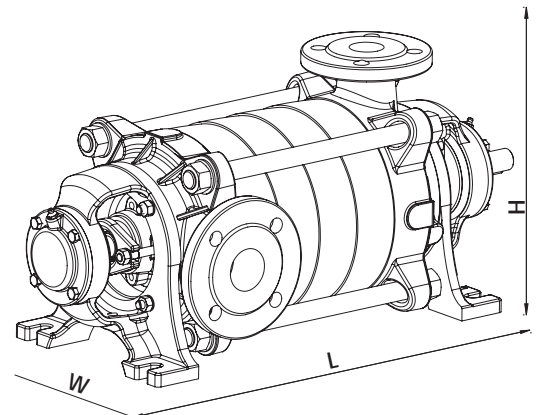
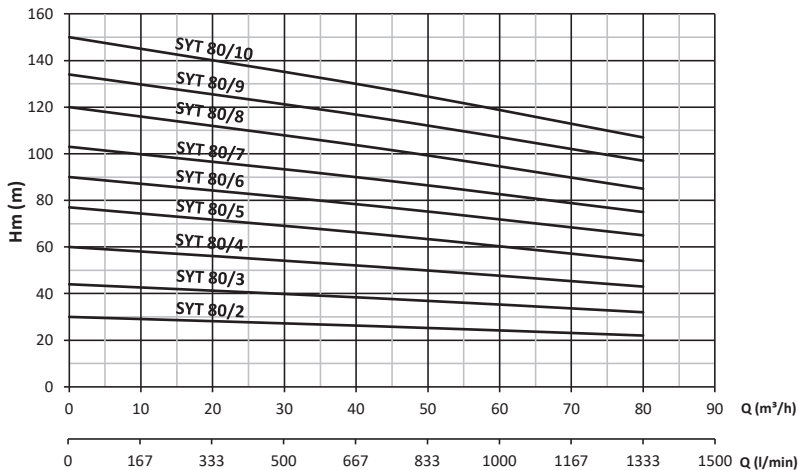
PUMP BODY	GG25 CAST IRON
IMPELLER	GG25 CAST IRON
SHAFT	AISI 420
FLOW RATE (max.)	80 m ³ /hour
TOTAL HEAD (max.)	150 m
LIQUID PUMPING TEMPERATURE	0-45° - (*120°C)
SEAL	SOFT SEAL
INPUT FLANGE	DN 100 PN 16
OUTPUT FLANGE	DN 80 PN 16
PUMP DURABILITY PRESSURE (Pmax)	30 bar

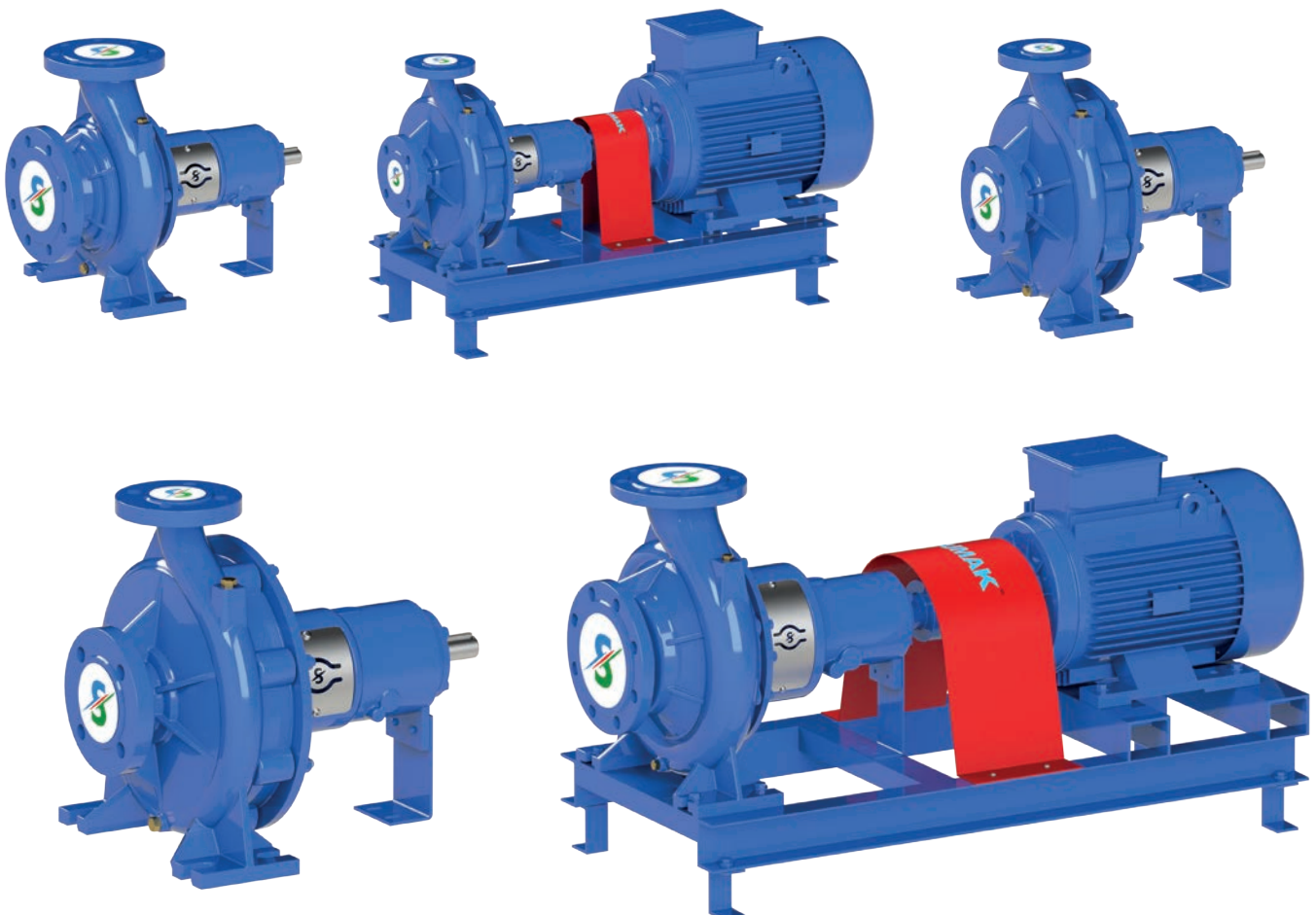
TECHNICAL SPECIFICATIONS

MOTOR					PUMP												
TYPE	KW	V	Hz	RPM	Hm	STAGE	INPUT	OUTPUT	W mm	L mm	H mm	KG	m ³ /h	50	60	70	80
SYT80/2	11	380	50	1450	30	2	DN100	DN80	475	766	475	163	mss	25	23	22	21
SYT80/3	15	380	50	1450	44	3	DN100	DN80	475	849	475	194		37	36	34	32
SYT80/4	18.5	380	50	1450	60	4	DN100	DN80	475	932	475	225		50	49	45	42
SYT80/5	22	380	50	1450	77	5	DN100	DN80	475	1015	475	255		62	60	57	52
SYT80/6	30	380	50	1450	90	6	DN100	DN80	475	1098	475	287		75	71	69	66
SYT80/7	37	380	50	1450	103	7	DN100	DN80	475	1181	475	318		88	83	79	75
SYT80/8	37	380	50	1450	120	8	DN100	DN80	475	1264	475	348		100	95	90	85
SYT80/9	45	380	50	1450	133	9	DN100	DN80	475	1347	475	380		111	108	102	97
SYT80/10	45	380	50	1450	150	10	DN100	DN80	475	1430	475	411		124	119	112	108

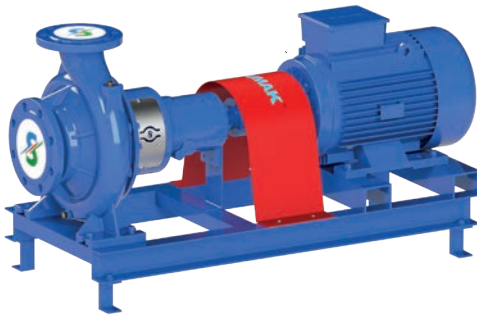
*Optionally, it can be manufactured to be used in hot water applications up to 120 °C.

NOTE: The dimensions and weights in the table only for the bare pump (without motor and chase).





SMT160/80



DEFINITION

These pumps are high altitude and high flow pumps with cast iron body, cast iron impeller, horizontal shaft, single stage, end suction and coupling connection. It is designed to be used in pressurizing low viscosity liquids that are non-corrosive, non-flammable, and do not contain solid particles and fibers. These pumps are manufactured at frequencies of 50 Hz and 60 Hz.

USAGE AREAS

These pumps are used in industrial facilities, social facilities, washing systems, agricultural and drip irrigation, treatment facilities, mining and iron and steel industry, boiler feeding and condensate, heating and cooling systems, booster and fire systems.

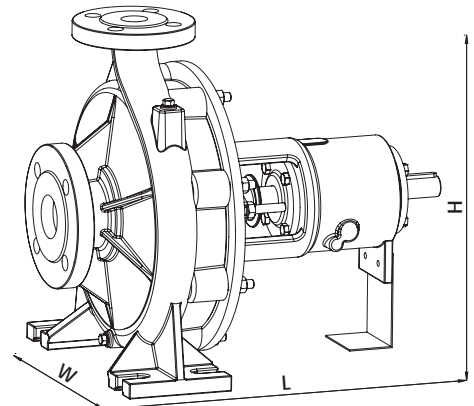
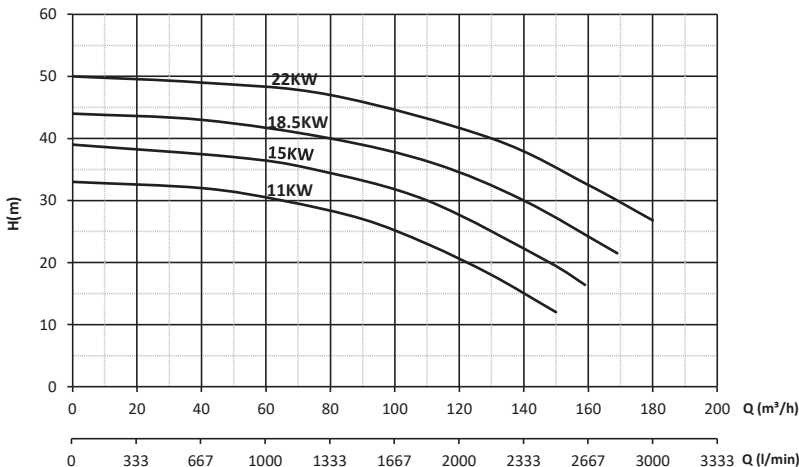
PUMP MATERIAL PROPERTIES

PUMP BODY	GG25 CAST IRON
IMPELLER	GG25 CAST IRON
SHAFT	AISI 420
FLOW RATE (max.)	180 m ³ /hour
TOTAL HEAD (max.)	50 m
LIQUID PUMPING TEMPERATURE	0-45°C (*120°C)
SEAL	SOFT SEAL / MECHANICAL SEAL
INPUT FLANGE	DN 100 PN 16
OUTPUT FLANGE	DN 80 PN 16
PUMP DURABILITY PRESSURE (Pmax)	16 bar

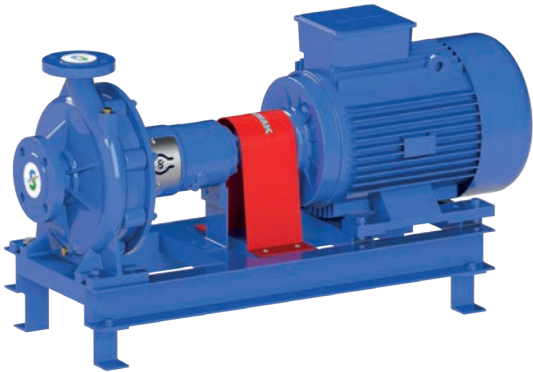
TECHNICAL SPECIFICATIONS

		MOTOR				PUMP											
TYPE	KW	V	Hz	RPM	Hm	INPUT	OUTPUT	W mm	L mm	H mm	KG	m ³ /h	30	50	100	150	180
SMT160/80	11	380	50	2900	33	DN100	DN80	325	495	405	47	mss	32	31	24	12	-
	15	380	50	2900	39	DN100	DN80	325	495	405	48		38	37	32	20	-
	18.5	380	50	2900	44	DN100	DN80	325	495	405	49		43	42	38	28	15
	22	380	50	2900	50	DN100	DN80	325	495	405	50		48	47	46	37	28

*Optionally, it can be manufactured to be used in hot water applications up to 120 °C.
NOTE: The dimensions and weights in the table only for the bare pump (without motor and chase).



SMT250/32



DEFINITION

These pumps are high altitude and high flow pumps with cast iron body, cast iron impeller, horizontal shaft, single stage, end suction and coupling connection. It is designed to be used in pressurizing low viscosity liquids that are non-corrosive, non-flammable, and do not contain solid particles and fibers. These pumps are manufactured at frequencies of 50 Hz and 60 Hz.

USAGE AREAS

These pumps are used in industrial facilities, social facilities, washing systems, agricultural and drip irrigation, treatment facilities, mining and iron and steel industry, boiler feeding and condensate, heating and cooling systems, booster and fire systems.

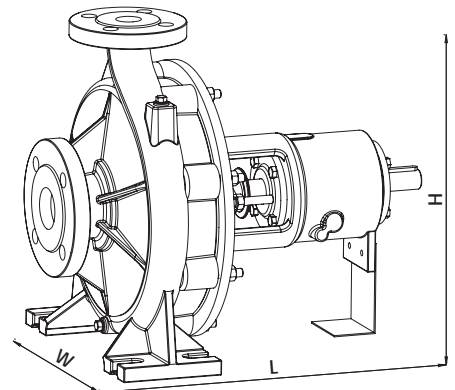
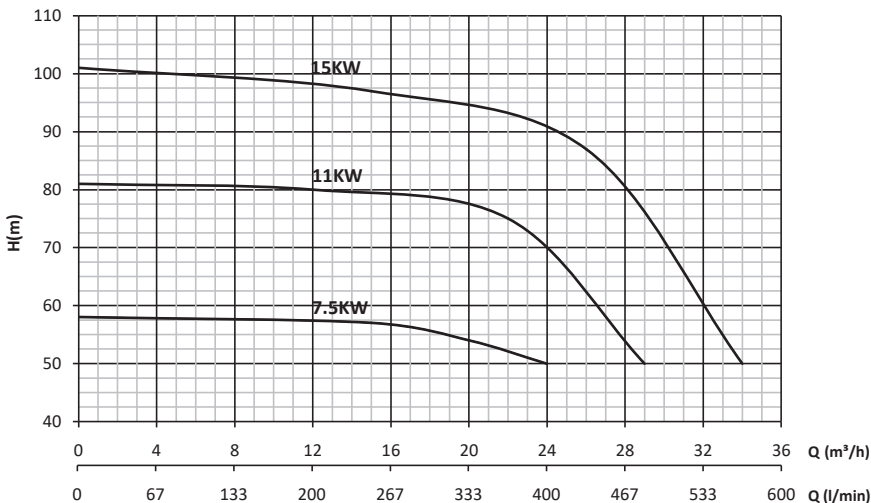
PUMP MATERIAL PROPERTIES

PUMP BODY	GG25 CAST IRON
IMPELLER	GG25 CAST IRON
SHAFT	AISI 420
FLOW RATE (max.)	34 m ³ /hour
TOTAL HEAD (max.)	100 m
LIQUID PUMPING TEMPERATURE	0-45°C (*120°C)
SEAL	SOFT SEAL / MECHANICAL SEAL
INPUT FLANGE	DN 50 PN 16
OUTPUT FLANGE	DN 32 PN 16
PUMP DURABILITY PRESSURE (Pmax)	16 bar

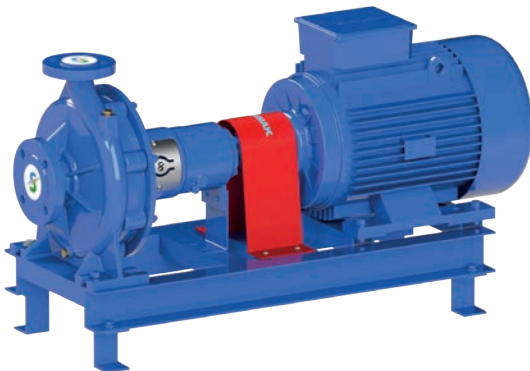
TECHNICAL SPECIFICATIONS

MOTOR					PUMP												
TYPE	KW	V	Hz	RPM	Hm	INPUT	OUTPUT	W mm	L mm	H mm	KG	m ³ /h	5	10	15	20	25
SMT250/32	7.5	380	50	2900	59	DN50	DN32	320	460	405	50	mss	58	57	56	54	45
	11	380	50	2900	82	DN50	DN32	320	460	405	51		81	80	79	77	68
	15	380	50	2900	101	DN50	DN32	320	460	405	52		100	98	97	94	88

*Optionally, it can be manufactured to be used in hot water applications up to 120 °C.
NOTE: The dimensions and weights in the table only for the bare pump (without motor and chase).



SMT250/40



DEFINITION

These pumps are high altitude and high flow pumps with cast iron body, cast iron impeller, horizontal shaft, single stage, end suction and coupling connection. It is designed to be used in pressurizing low viscosity liquids that are non-corrosive, non-flammable, and do not contain solid particles and fibers. These pumps are manufactured at frequencies of 50 Hz and 60 Hz.

USAGE AREAS

These pumps are used in industrial facilities, social facilities, washing systems, agricultural and drip irrigation, treatment facilities, mining and iron and steel industry, boiler feeding and condensate, heating and cooling systems, booster and fire systems.

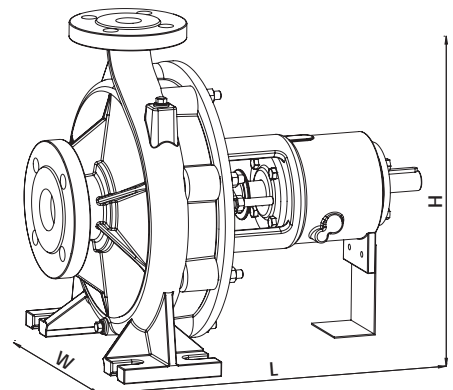
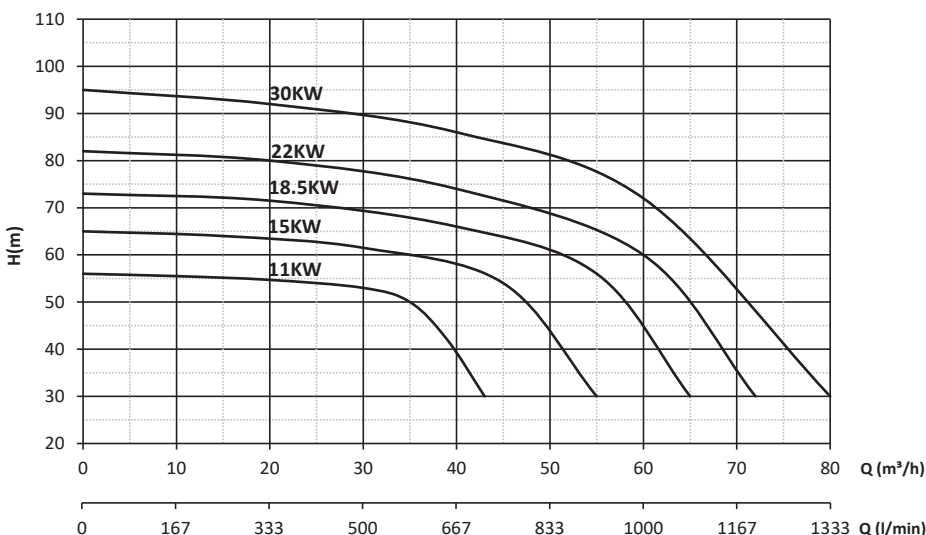
PUMP MATERIAL PROPERTIES

PUMP BODY	GG25 CAST IRON
IMPELLER	GG25 CAST IRON
SHAFT	AISI 420
FLOW RATE (max.)	80 m ³ /hour
TOTAL HEAD (max.)	95 m
LIQUID PUMPING TEMPERATURE	0-45°C (*120°C)
SEAL	SOFT SEAL / MECHANICAL SEAL
INPUT FLANGE	DN 65 PN 16
OUTPUT FLANGE	DN 40 PN 16
PUMP DURABILITY PRESSURE (Pmax)	16 bar

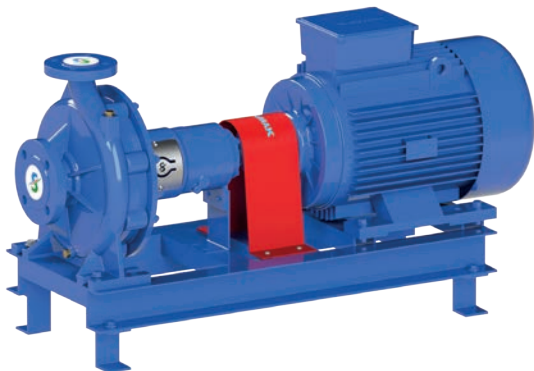
TECHNICAL SPECIFICATIONS

MOTOR					PUMP												
TYPE	KW	V	Hz	RPM	Hm	INPUT	OUTPUT	W mm	L mm	H mm	KG	m ³ /h	20	30	40	50	60
SMT250/40	11	380	50	2900	56	DN65	DN40	320	460	405	51	mss	54	51	40	-	-
	15	380	50	2900	65	DN65	DN40	320	460	405	52		63	61	58	45	-
	18.5	380	50	2900	73	DN65	DN40	320	460	405	53		72	68	65	61	45
	22	380	50	2900	82	DN65	DN40	320	460	405	54		80	78	73	68	60
	30	380	50	2900	95	DN65	DN40	320	460	405	55		91	90	86	81	72

*Optionally, it can be manufactured to be used in hot water applications up to 120 °C.
NOTE: The dimensions and weights in the table only for the bare pump (without motor and chase).



SMT250/50



DEFINITION

These pumps are high altitude and high flow pumps with cast iron body, cast iron impeller, horizontal shaft, single stage, end suction and coupling connection. It is designed to be used in pressurizing low viscosity liquids that are non-corrosive, non-flammable, and do not contain solid particles and fibers. These pumps are manufactured at frequencies of 50 Hz and 60 Hz.

USAGE AREAS

These pumps are used in industrial facilities, social facilities, washing systems, agricultural and drip irrigation, treatment facilities, mining and iron and steel industry, boiler feeding and condensate, heating and cooling systems, booster and fire systems.

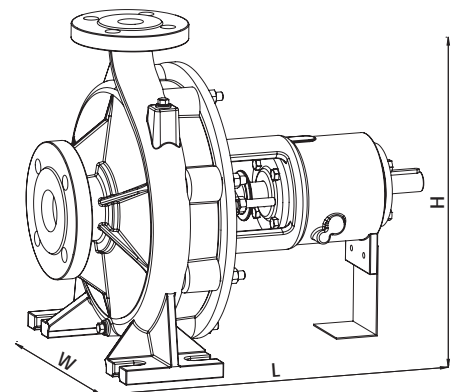
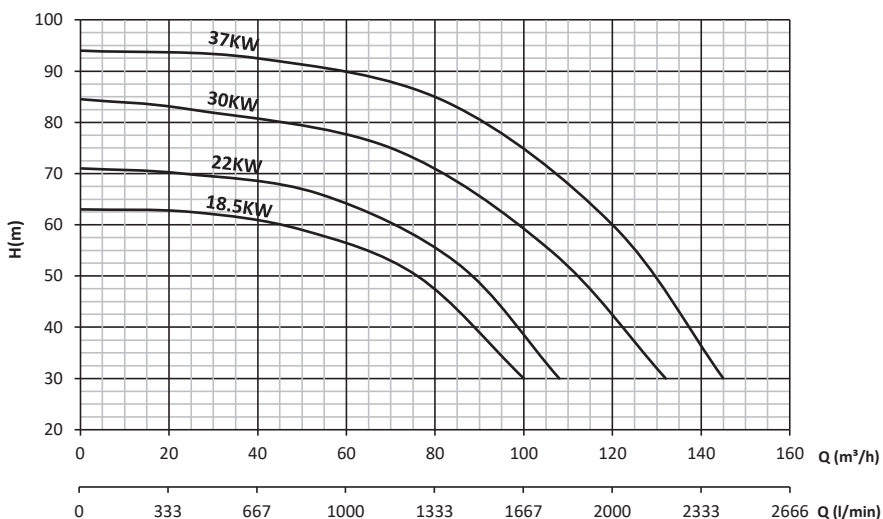
PUMP MATERIAL PROPERTIES

PUMP BODY	GG25 CAST IRON
IMPELLER	GG25 CAST IRON
SHAFT	AISI 420
FLOW RATE (max.)	145 m ³ /hour
TOTAL HEAD (max.)	94 m
LIQUID PUMPING TEMPERATURE	0-45°C (*120°C)
SEAL	SOFT SEAL / MECHANICAL SEAL
INPUT FLANGE	DN 65 PN 16
OUTPUT FLANGE	DN 50 PN 16
PUMP DURABILITY PRESSURE (Pmax)	16 bar

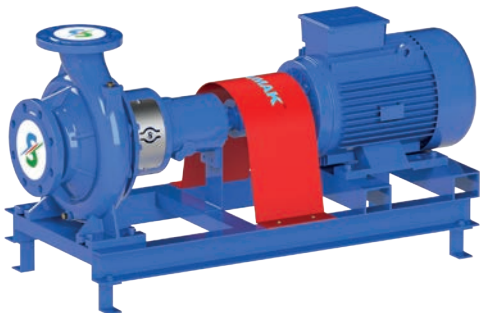
TECHNICAL SPECIFICATIONS

MOTOR					PUMP												
TYPE	KW	V	Hz	RPM	Hm	INPUT	OUTPUT	W mm	L mm	H mm	KG	m ³ /h	20	40	60	80	100
SMT250/50	18.5	380	50	2900	63	DN65	DN50	360	460	405	54	mss	62	61	57	48	30
	22	380	50	2900	71	DN65	DN50	360	460	405	55		70	68	64	55	38
	30	380	50	2900	84	DN65	DN50	360	460	405	56		83	81	77	71	59
	37	380	50	2900	94	DN65	DN50	360	460	405	57		93	92	90	85	75

*Optionally, it can be manufactured to be used in hot water applications up to 120 °C.
NOTE: The dimensions and weights in the table only for the bare pump (without motor and chase).



SMT250/65



DEFINITION

These pumps are high altitude and high flow pumps with cast iron body, cast iron impeller, horizontal shaft, single stage, end suction and coupling connection. It is designed to be used in pressurizing low viscosity liquids that are non-corrosive, non-flammable, and do not contain solid particles and fibers. These pumps are manufactured at frequencies of 50 Hz and 60 Hz.

USAGE AREAS

These pumps are used in industrial facilities, social facilities, washing systems, agricultural and drip irrigation, treatment facilities, mining and iron and steel industry, boiler feeding and condensate, heating and cooling systems, booster and fire systems.

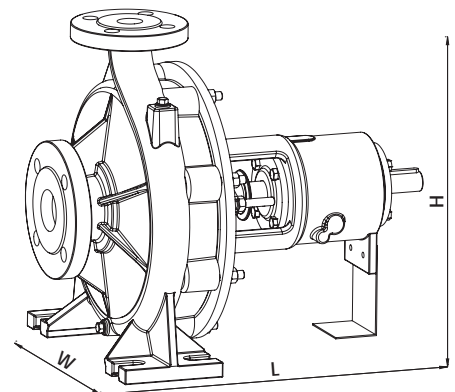
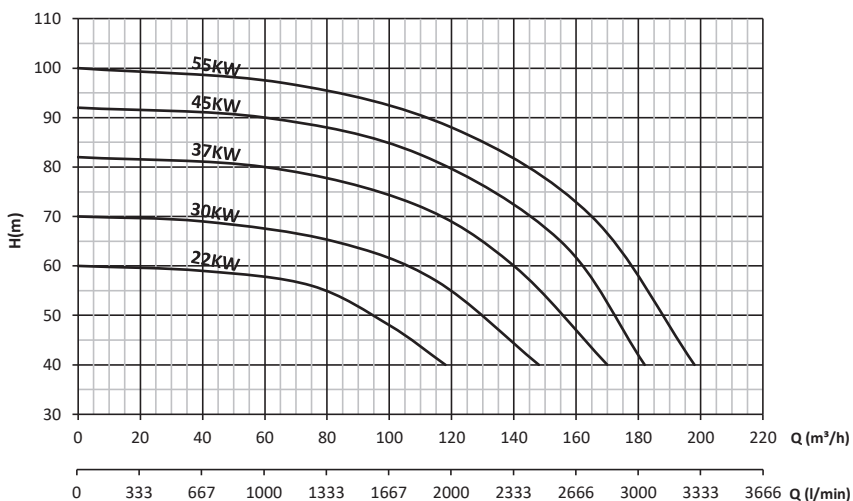
PUMP MATERIAL PROPERTIES

PUMP BODY	GG25 CAST IRON
IMPELLER	GG25 CAST IRON
SHAFT	AISI 420
FLOW RATE (max.)	200 m ³ /hour
TOTAL HEAD (max.)	100 m
LIQUID PUMPING TEMPERATURE	0-45°C (*120°C)
SEAL	SOFT SEAL / MECHANICAL SEAL
INPUT FLANGE	DN 80 PN 16
OUTPUT FLANGE	DN 65 PN 16
PUMP DURABILITY PRESSURE (Pmax)	16 bar

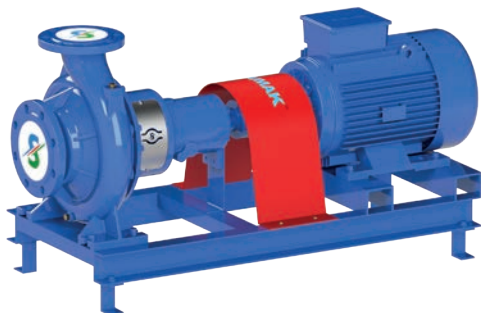
TECHNICAL SPECIFICATIONS

MOTOR					PUMP												
TYPE	KW	V	Hz	RPM	Hm	INPUT	OUTPUT	W mm	L mm	H mm	KG	m ³ /h	60	80	100	120	160
SMT250/65	22	380	50	2900	60	DN80	DN65	360	550	450	72	mss	58	55	48	40	-
	30	380	50	2900	70	DN80	DN65	360	550	450	73		68	65	61	55	-
	37	380	50	2900	82	DN80	DN65	360	575	450	74		80	78	74	69	47
	45	380	50	2900	92	DN80	DN65	360	575	450	75		90	88	85	80	61
	55	380	50	2900	100	DN80	DN65	360	575	450	76		96	95	92	87	73

*Optionally, it can be manufactured to be used in hot water applications up to 120 °C.
NOTE: The dimensions and weights in the table only for the bare pump (without motor and chase).



SMT250/80



DEFINITION

These pumps are high altitude and high flow pumps with cast iron body, cast iron impeller, horizontal shaft, single stage, end suction and coupling connection. It is designed to be used in pressurizing low viscosity liquids that are non-corrosive, non-flammable, and do not contain solid particles and fibers. These pumps are manufactured at frequencies of 50 Hz and 60 Hz.

USAGE AREAS

These pumps are used in industrial facilities, social facilities, washing systems, agricultural and drip irrigation, treatment facilities, mining and iron and steel industry, boiler feeding and condensate, heating and cooling systems, booster and fire systems.

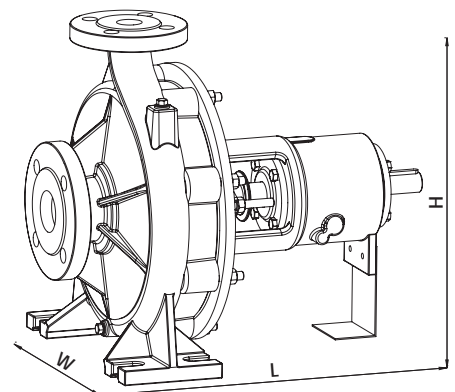
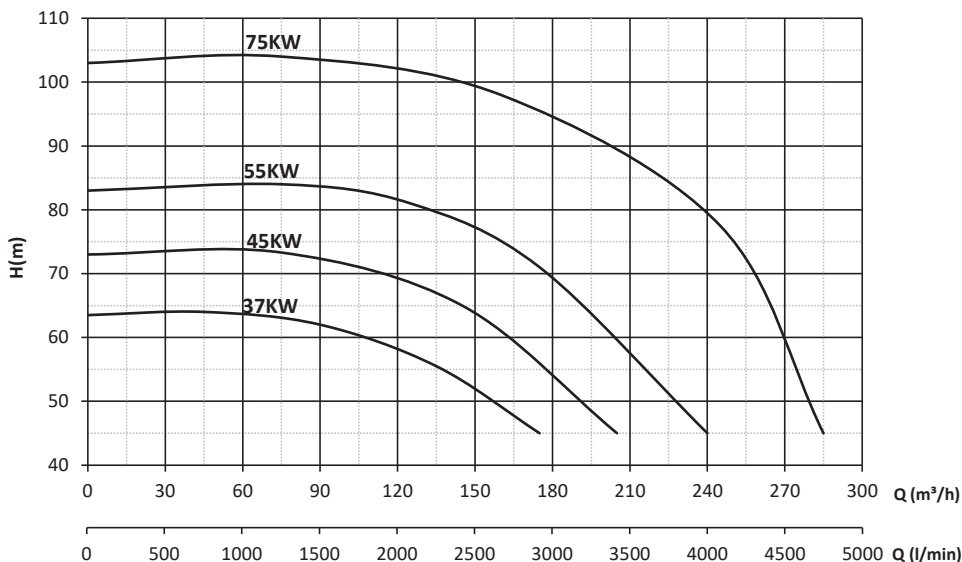
PUMP MATERIAL PROPERTIES

PUMP BODY	GG25 CAST IRON
IMPELLER	GG25 CAST IRON
SHAFT	AISI 420
FLOW RATE (max.)	285 m ³ /hour
TOTAL HEAD (max.)	104 m
LIQUID PUMPING TEMPERATURE	0-45°C (*120°C)
SEAL	SOFT SEAL / MECHANICAL SEAL
INPUT FLANGE	DN 100 PN 16
OUTPUT FLANGE	DN 80 PN 16
PUMP DURABILITY PRESSURE (Pmax)	16 bar

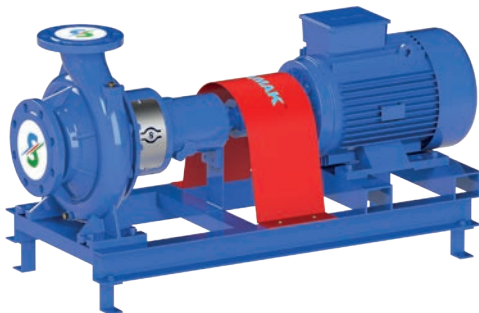
TECHNICAL SPECIFICATIONS

MOTOR					PUMP												
TYPE	KW	V	Hz	RPM	Hm	INPUT	OUTPUT	W mm	L mm	H mm	KG	m ³ /h	50	100	150	180	220
SMT250/80	37	380	50	2900	64	DN100	DN80	400	470	480	78	mss	63	60	52	45	-
	45	380	50	2900	74	DN100	DN80	400	470	480	79		73	71	64	54	-
	55	380	50	2900	84	DN100	DN80	400	470	480	80		83	82	78	69	53
	75	380	50	2900	103	DN100	DN80	400	470	480	81		102	101	99	95	85

*Optionally, it can be manufactured to be used in hot water applications up to 120 °C.
NOTE: The dimensions and weights in the table only for the bare pump (without motor and chase).



SMT250/100



DEFINITION

These pumps are high altitude and high flow pumps with cast iron body, cast iron impeller, horizontal shaft, single stage, end suction and coupling connection. It is designed to be used in pressurizing low viscosity liquids that are non-corrosive, non-flammable, and do not contain solid particles and fibers. These pumps are manufactured at frequencies of 50 Hz and 60 Hz.

USAGE AREAS

These pumps are used in industrial facilities, social facilities, washing systems, agricultural and drip irrigation, treatment facilities, mining and iron and steel industry, boiler feeding and condensate, heating and cooling systems, booster and fire systems.

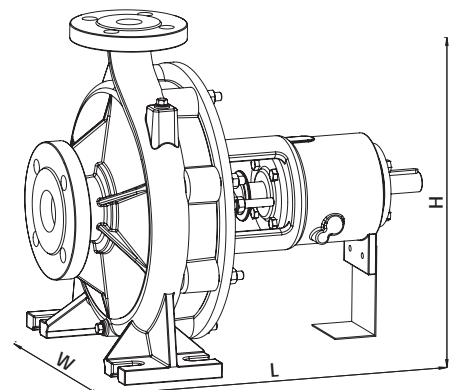
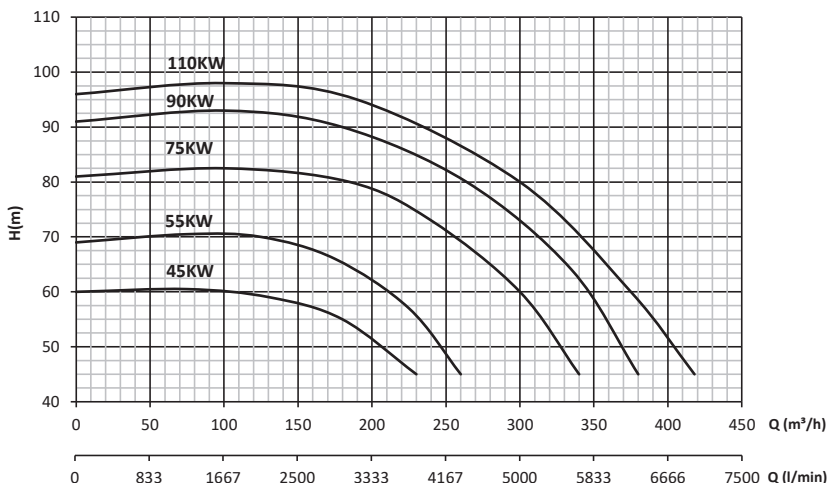
PUMP MATERIAL PROPERTIES

PUMP BODY	GG25 CAST IRON
IMPELLER	GG25 CAST IRON
SHAFT	AISI 420
FLOW RATE (max.)	420 m ³ /hour
TOTAL HEAD (max.)	96 m
LIQUID PUMPING TEMPERATURE	0-45°C (*120°C)
SEAL	SOFT SEAL / MECHANICAL SEAL
INPUT FLANGE	DN 125 PN 16
OUTPUT FLANGE	DN 100 PN 16
PUMP DURABILITY PRESSURE (Pmax)	16 bar

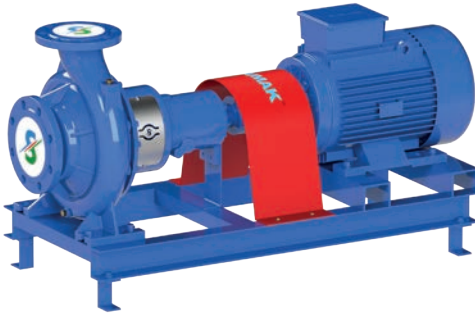
TECHNICAL SPECIFICATIONS

MOTOR						PUMP											
TYPE	KW	V	Hz	RPM	Hm	INPUT	OUTPUT	W mm	L mm	H mm	KG	m ³ /h	175	200	225	250	300
SMT250/100	45	380	50	2900	60	DN125	DN100	400	610	505	86	mss	55	52	46	-	-
	55	380	50	2900	69	DN125	DN100	400	610	505	87		66	62	55	49	-
	75	380	50	2900	81	DN125	DN100	400	610	505	88		80	78	75	72	60
	90	380	50	2900	91	DN125	DN100	400	610	505	89		90	87	84	82	73
	110	380	50	2900	96	DN125	DN100	400	610	505	90		95	93	91	87	80

*Optionally, it can be manufactured to be used in hot water applications up to 120 °C.
NOTE: The dimensions and weights in the table only for the bare pump (without motor and chase).



SMT160/80



DEFINITION

Döküm gövdeli ve döküm çarklı, yatay milli, tek kademeli, uçtan emişli, kaplin bağlantılı, yüksek irtifalı ve yüksek debili pompalardır. Aşındırıcı ve yanıcı olmayan, katı parçacık ve lif ihtiva etmeyen, düşük viskoziteli sıvıları basınçlandırmada kullanmak için tasarlanmıştır. 50 Hz ve 60 Hz frekanslarında imal edilmektedir.

USAGE AREAS

Endüstriyel alanlar ve sosyal tesislerde, yıkama sistemlerinde, tarımsal ve damlama sulamalarda, arıtma tesislerinde, madencilik ve demir-çelik endüstrisinde; kazan besleme ve kondens, ısıtma - soğutma, hidrofor ve yangın sistemlerinde kullanılmaktadır.

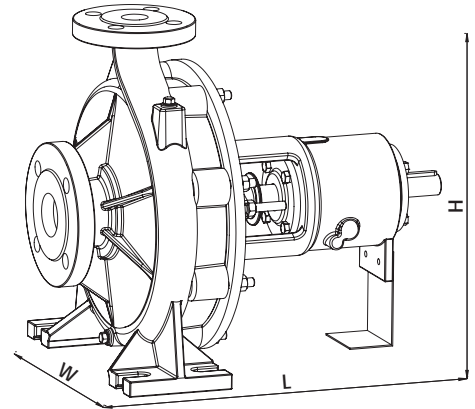
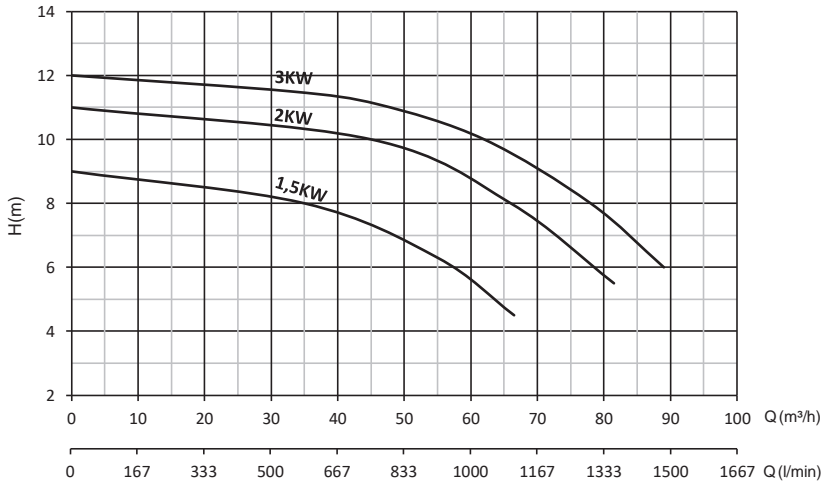
PUMP MATERIAL PROPERTIES

PUMP BODY	GG25 CAST IRON
IMPELLER	GG25 CAST IRON
SHAFT	AISI 420
FLOW RATE (max.)	90 m ³ /hour
TOTAL HEAD (max.)	12 m
LIQUID PUMPING TEMPERATURE	0-45°C (*120°C)
SEAL	SOFT SEAL / MECHANICAL SEAL
INPUT FLANGE	DN 100 PN 16
OUTPUT FLANGE	DN 80 PN 16
PUMP DURABILITY PRESSURE (Pmax)	16 bar

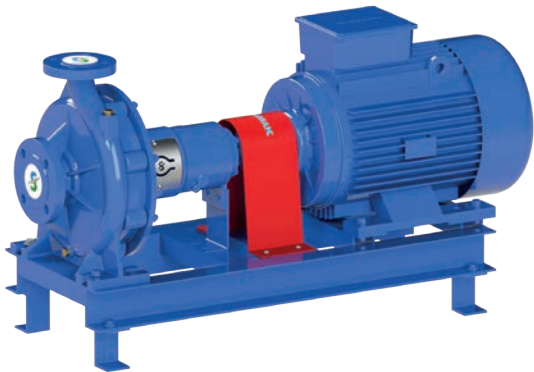
TECHNICAL SPECIFICATIONS

MOTOR					PUMP												
TYPE	KW	V	Hz	RPM	Hm	INPUT	OUTPUT	W	L	H	KG	m ³ /h	20	40	60	80	90
SMT160/80	1.5	380	50	1450	9	DN100	DN80	325	495	405	48	mss	8.5	7.5	5.5	-	-
	2.2	380	50	1450	11	DN100	DN80	325	495	405	49		10.5	10	8.5	6	3
	3	380	50	1450	12	DN100	DN80	325	495	405	50		11.5	11	10	7.5	6

*Optionally, it can be manufactured to be used in hot water applications up to 120 °C.
NOTE: The dimensions and weights in the table only for the bare pump (without motor and chase).



SMT250/32



DEFINITION

These pumps are high altitude and high flow pumps with cast iron body, cast iron impeller, horizontal shaft, single stage, end suction and coupling connection. It is designed to be used in pressurizing low viscosity liquids that are non-corrosive, non-flammable, and do not contain solid particles and fibers. These pumps are manufactured at frequencies of 50 Hz and 60 Hz.

USAGE AREAS

These pumps are used in industrial facilities, social facilities, washing systems, agricultural and drip irrigation, treatment facilities, mining and iron and steel industry, boiler feeding and condensate, heating and cooling systems, booster and fire systems.

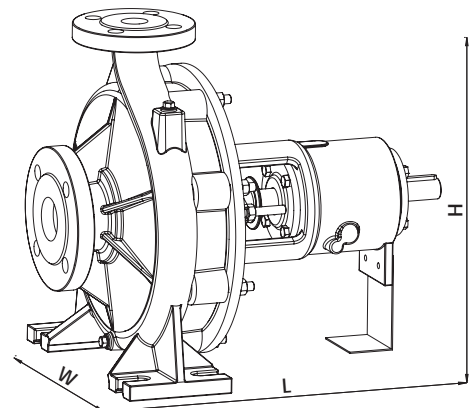
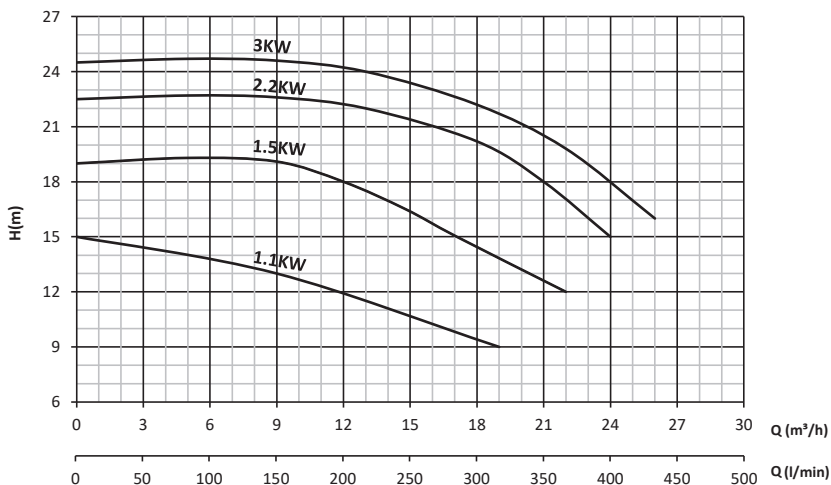
PUMP MATERIAL PROPERTIES

PUMP BODY	GG25 CAST IRON
IMPELLER	GG25 CAST IRON
SHAFT	AISI 420
FLOW RATE (max.)	27 m ³ /hour
TOTAL HEAD (max.)	24 m
LIQUID PUMPING TEMPERATURE	0-45°C (*120°C)
SEAL	SOFT SEAL / MECHANICAL SEAL
INPUT FLANGE	DN 50 PN 16
OUTPUT FLANGE	DN 32 PN 16
PUMP DURABILITY PRESSURE (Pmax)	16 bar

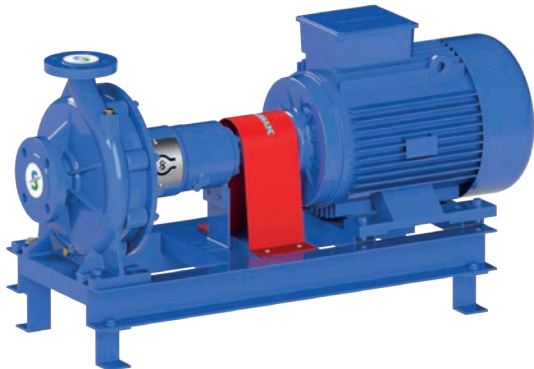
TECHNICAL SPECIFICATIONS

MOTOR					PUMP												
TYPE	KW	V	Hz	RPM	Hm	INPUT	OUTPUT	W mm	L mm	H mm	KG	m ³ /h	12	16	18	22	26
SMT250/32	1.1	380	50	1450	15	DN50	DN32	320	460	405	49	mss	12	10	9	-	-
	1.5	380	50	1450	19	DN50	DN32	320	460	405	50		18	16	14	12	-
	2.2	380	50	1450	22.5	DN50	DN32	320	460	405	51		22	21	20	17	-
	3	380	50	1450	24.5	DN50	DN32	320	460	405	52		24	23	22	20	16

*Optionally, it can be manufactured to be used in hot water applications up to 120 °C.
NOTE: The dimensions and weights in the table only for the bare pump (without motor and chase).



SMT250/40



DEFINITION

These pumps are high altitude and high flow pumps with cast iron body, cast iron impeller, horizontal shaft, single stage, end suction and coupling connection. It is designed to be used in pressurizing low viscosity liquids that are non-corrosive, non-flammable, and do not contain solid particles and fibers. These pumps are manufactured at frequencies of 50 Hz and 60 Hz.

USAGE AREAS

These pumps are used in industrial facilities, social facilities, washing systems, agricultural and drip irrigation, treatment facilities, mining and iron and steel industry, boiler feeding and condensate, heating and cooling systems, booster and fire systems.

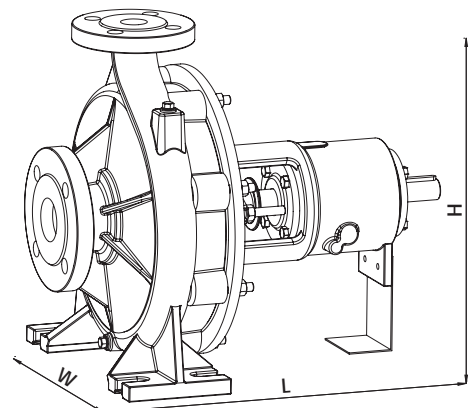
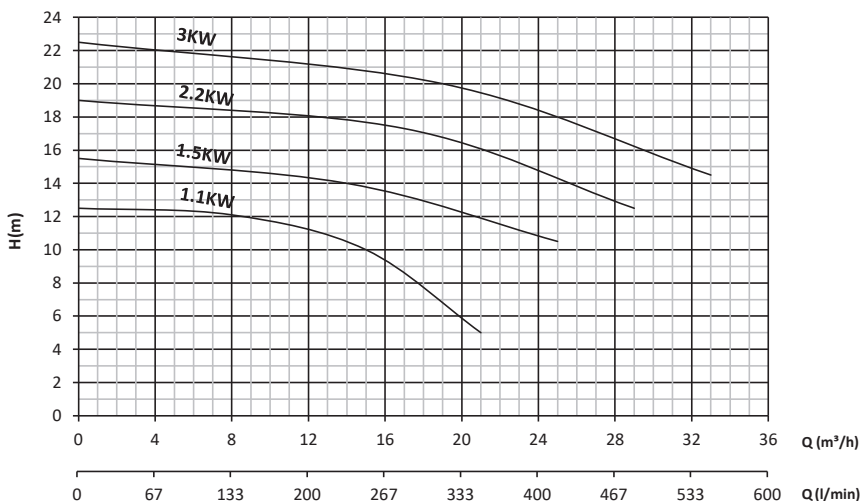
PUMP MATERIAL PROPERTIES

PUMP BODY	GG25 CAST IRON
IMPELLER	GG25 CAST IRON
SHAFT	AISI 420
FLOW RATE (max.)	33 m ³ /hour
TOTAL HEAD (max.)	22.5 m
LIQUID PUMPING TEMPERATURE	0-45°C (*120°C)
SEAL	SOFT SEAL / MECHANICAL SEAL
INPUT FLANGE	DN 65 PN 16
OUTPUT FLANGE	DN 40 PN 16
PUMP DURABILITY PRESSURE (Pmax)	16 bar

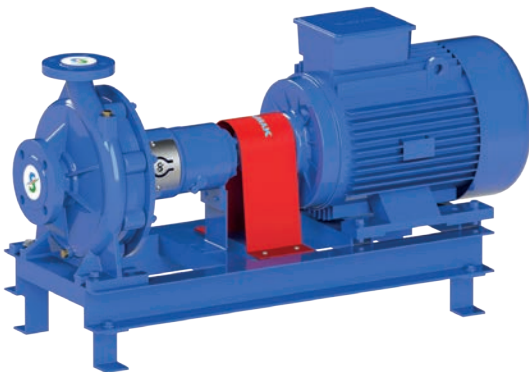
TECHNICAL SPECIFICATIONS

MOTOR					PUMP												
TYPE	KW	V	Hz	RPM	Hm	INPUT	OUTPUT	W mm	L mm	H mm	KG	m ³ /h	10	15	20	25	30
SMT250/40	1.1	380	50	1450	12.5	DN65	DN40	320	460	405	52	mss	11.5	10	6	-	-
	1.5	380	50	1450	15.5	DN65	DN40	320	460	405	53		14.5	13.5	12	10.5	-
	2.2	380	50	1450	19	DN65	DN40	320	460	405	54		18.5	17.5	16.5	14.5	-
	3	380	50	1450	22.5	DN65	DN40	320	460	405	55		21.5	20.5	19.5	18	16

*Optionally, it can be manufactured to be used in hot water applications up to 120 °C.
NOTE: The dimensions and weights in the table only for the bare pump (without motor and chase).



SMT250/50



DEFINITION

These pumps are high altitude and high flow pumps with cast iron body, cast iron impeller, horizontal shaft, single stage, end suction and coupling connection. It is designed to be used in pressurizing low viscosity liquids that are non-corrosive, non-flammable, and do not contain solid particles and fibers. These pumps are manufactured at frequencies of 50 Hz and 60 Hz.

USAGE AREAS

These pumps are used in industrial facilities, social facilities, washing systems, agricultural and drip irrigation, treatment facilities, mining and iron and steel industry, boiler feeding and condensate, heating and cooling systems, booster and fire systems.

PUMP MATERIAL PROPERTIES

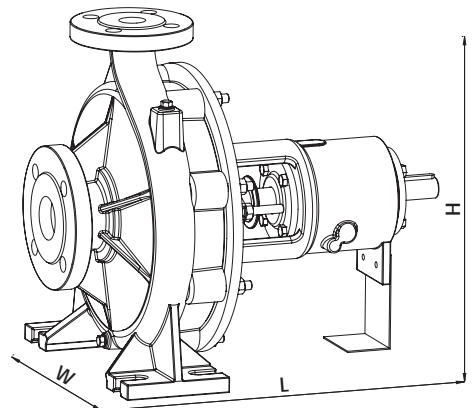
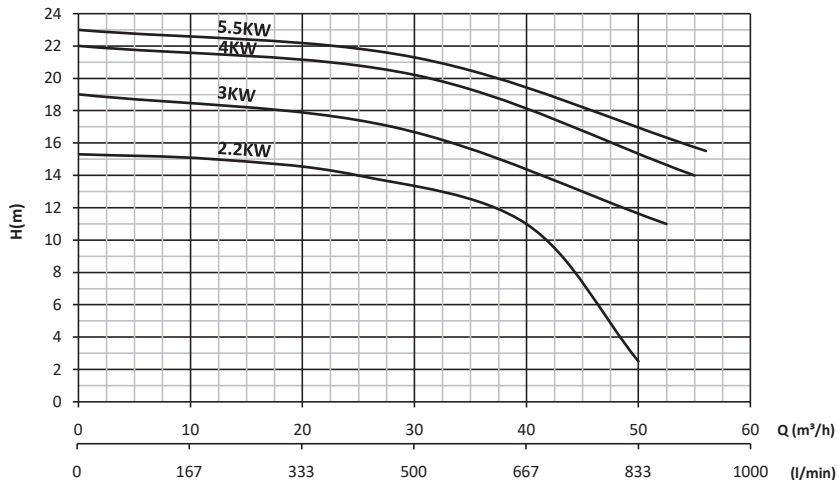
PUMP BODY	GG25 CAST IRON
IMPELLER	GG25 CAST IRON
SHAFT	AISI 420
FLOW RATE (max.)	55 m ³ /hour
TOTAL HEAD (max.)	23 m
LIQUID PUMPING TEMPERATURE	0-45°C (*120°C)
SEAL	SOFT SEAL / MECHANICAL SEAL
INPUT FLANGE	DN 65 PN 16
OUTPUT FLANGE	DN 50 PN 16
PUMP DURABILITY PRESSURE (Pmax)	16 bar

TECHNICAL SPECIFICATIONS

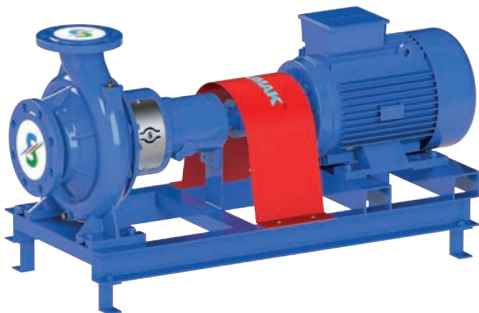
MOTOR					PUMP													
TYPE	KW	V	Hz	RPM	Hm	INPUT	OUTPUT	W	L	H	KG	m ³ /h	35	40	45	50	55	
						mm	mm	mm	mm	mm		mss						
SMT250/50	2.2	380	50	1450	15	DN65	DN50	360	460	405	54		12.5	11	7	-	-	
	3	380	50	1450	19	DN65	DN50	360	460	405	55		15.5	14.5	13	11.5	10	
	4	380	50	1450	22	DN65	DN50	360	460	405	56		19	18	16.5	15.5	14	
	5.5	380	50	1450	23	DN65	DN50	360	460	405	57		20.5	19	18	17	15.5	

*Optionally, it can be manufactured to be used in hot water applications up to 120 °C.

NOTE: The dimensions and weights in the table only for the bare pump (without motor and chase).



SMT250/65



DEFINITION

These pumps are high altitude and high flow pumps with cast iron body, cast iron impeller, horizontal shaft, single stage, end suction and coupling connection. It is designed to be used in pressurizing low viscosity liquids that are non-corrosive, non-flammable, and do not contain solid particles and fibers. These pumps are manufactured at frequencies of 50 Hz and 60 Hz.

USAGE AREAS

These pumps are used in industrial facilities, social facilities, washing systems, agricultural and drip irrigation, treatment facilities, mining and iron and steel industry, boiler feeding and condensate, heating and cooling systems, booster and fire systems.

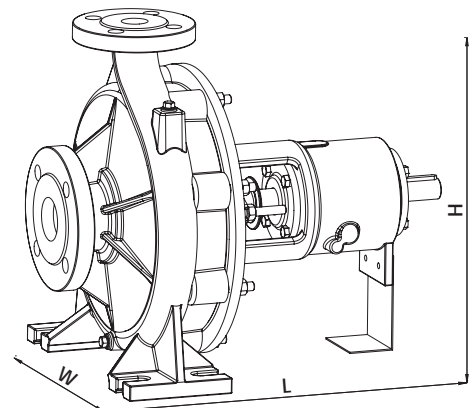
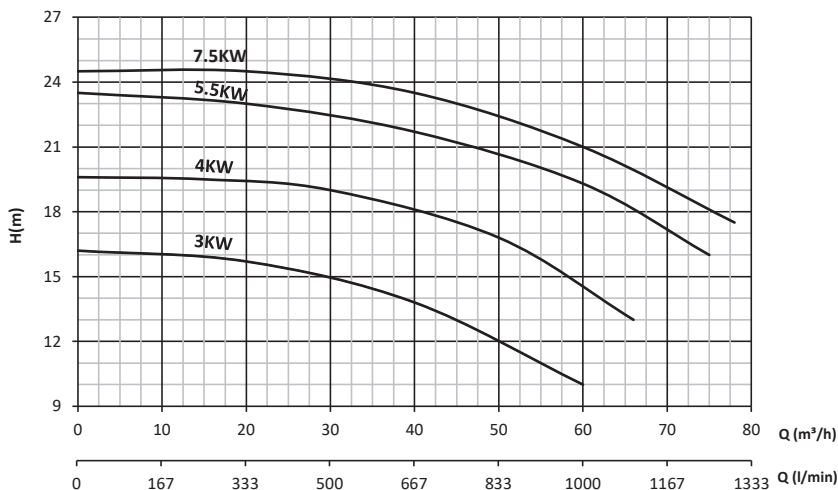
PUMP MATERIAL PROPERTIES

PUMP BODY	GG25 CAST IRON
IMPELLER	GG25 CAST IRON
SHAFT	AISI 420
FLOW RATE (max.)	78 m ³ /hour
TOTAL HEAD (max.)	25 m
LIQUID PUMPING TEMPERATURE	0-45°C (*120°C)
SEAL	SOFT SEAL / MECHANICAL SEAL
INPUT FLANGE	DN 80 PN 16
OUTPUT FLANGE	DN 65 PN 16
PUMP DURABILITY PRESSURE (Pmax)	16 bar

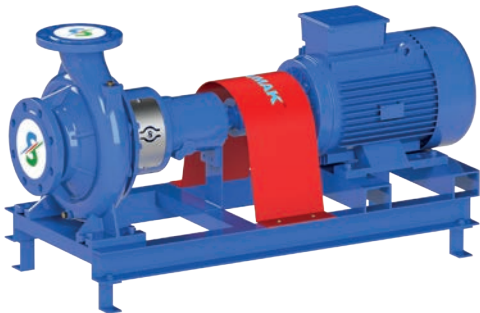
TECHNICAL SPECIFICATIONS

MOTOR					PUMP												
TYPE	KW	V	Hz	RPM	Hm	INPUT	OUTPUT	W mm	L mm	H mm	KG	m ³ /h	30	40	50	60	70
SMT250/65	3	380	50	1450	16.2	DN80	DN65	360	550	450	73	mss	15	13.5	12	10	-
	4	380	50	1450	19.5	DN80	DN65	360	550	450	74		19	18	16.5	14.5	-
	5.5	380	50	1450	23.5	DN80	DN65	360	575	450	75		22.5	21.5	20.5	19.5	17
	7.5	380	50	1450	24.5	DN80	DN65	360	575	450	76		24	23.5	22.5	21	19

*Optionally, it can be manufactured to be used in hot water applications up to 120 °C.
NOTE: The dimensions and weights in the table only for the bare pump (without motor and chase).



SMT250/80



DEFINITION

These pumps are high altitude and high flow pumps with cast iron body, cast iron impeller, horizontal shaft, single stage, end suction and coupling connection. It is designed to be used in pressurizing low viscosity liquids that are non-corrosive, non-flammable, and do not contain solid particles and fibers. These pumps are manufactured at frequencies of 50 Hz and 60 Hz.

USAGE AREAS

These pumps are used in industrial facilities, social facilities, washing systems, agricultural and drip irrigation, treatment facilities, mining and iron and steel industry, boiler feeding and condensate, heating and cooling systems, booster and fire systems.

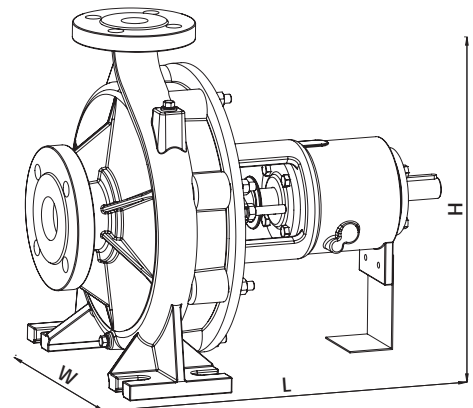
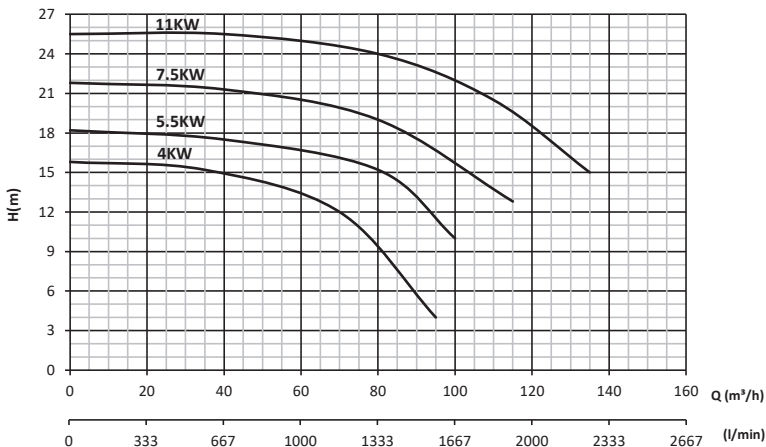
PUMP MATERIAL PROPERTIES

PUMP BODY	GG25 CAST IRON
IMPELLER	GG25 CAST IRON
SHAFT	AISI 420
FLOW RATE (max.)	135 m ³ /hour
TOTAL HEAD (max.)	26 m
LIQUID PUMPING TEMPERATURE	0-45°C (*120°C)
SEAL	SOFT SEAL / MECHANICAL SEAL
INPUT FLANGE	DN 100 PN 16
OUTPUT FLANGE	DN 80 PN 16
PUMP DURABILITY PRESSURE (Pmax)	16 bar

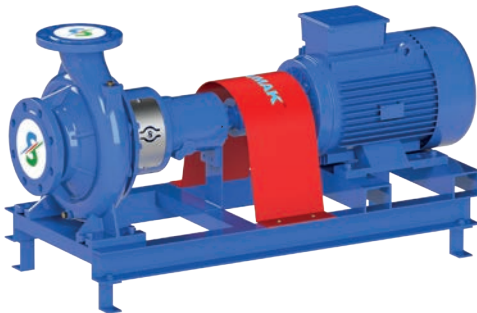
TECHNICAL SPECIFICATIONS

TYPE	MOTOR				PUMP												
	KW	V	Hz	RPM	Hm	INPUT	OUTPUT	W mm	L mm	H mm	KG	m ³ /h	40	60	80	100	120
SMT250/80	4	380	50	1450	15.8	DN100	DN80	400	470	480	78	mss	15	13.5	9.5	-	-
	5.5	380	50	1450	18.2	DN100	DN80	400	470	480	79		17.5	16.5	15	10	-
	7.5	380	50	1450	21.8	DN100	DN80	400	470	480	80		21.5	20.5	19	15.5	10
	11	380	50	1450	25.5	DN100	DN80	400	470	480	81		25.5	25	24	22	18.5

*Optionally, it can be manufactured to be used in hot water applications up to 120 °C.
NOTE: The dimensions and weights in the table only for the bare pump (without motor and chase).



SMT250/100



DEFINITION

These pumps are high altitude and high flow pumps with cast iron body, cast iron impeller, horizontal shaft, single stage, end suction and coupling connection. It is designed to be used in pressurizing low viscosity liquids that are non-corrosive, non-flammable, and do not contain solid particles and fibers. These pumps are manufactured at frequencies of 50 Hz and 60 Hz.

USAGE AREAS

These pumps are used in industrial facilities, social facilities, washing systems, agricultural and drip irrigation, treatment facilities, mining and iron and steel industry, boiler feeding and condensate, heating and cooling systems, booster and fire systems.

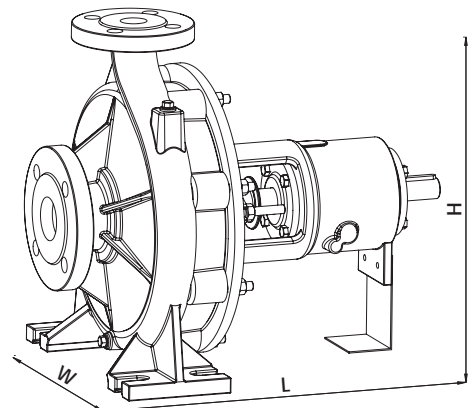
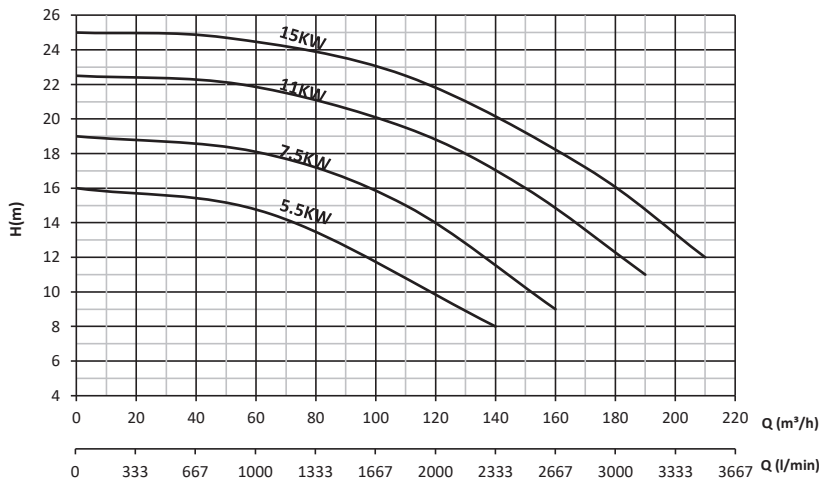
PUMP MATERIAL PROPERTIES

PUMP BODY	GG25 CAST IRON
IMPELLER	GG25 CAST IRON
SHAFT	AISI 420
FLOW RATE (max.)	210 m ³ /hour
TOTAL HEAD (max.)	25 m
LIQUID PUMPING TEMPERATURE	0-45°C (*120°C)
SEAL	SOFT SEAL / MECHANICAL SEAL
INPUT FLANGE	DN 125 PN 16
OUTPUT FLANGE	DN 100 PN 16
PUMP DURABILITY PRESSURE (Pmax)	16 bar

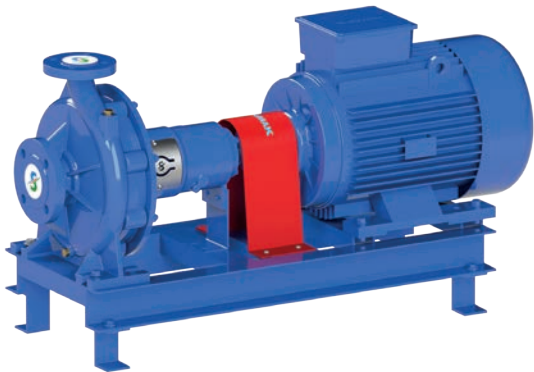
TECHNICAL SPECIFICATIONS

TYPE	MOTOR				PUMP												
	KW	V	Hz	RPM	Hm	INPUT	OUTPUT	W mm	L mm	H mm	KG	m ³ /h	80	110	140	170	200
SMT250/100	5.5	380	50	1450	16	DN125	DN100	400	610	505	87	mss	13.5	11	8	-	-
	7.5	380	50	1450	19	DN125	DN100	400	610	505	88		17	15	11.5	-	-
	11	380	50	1450	22.5	DN125	DN100	400	610	505	89		21	19.5	17	13.5	9
	15	380	50	1450	25	DN125	DN100	400	610	505	90		24	22.5	20	17	13

*Optionally, it can be manufactured to be used in hot water applications up to 120 °C.
NOTE: The dimensions and weights in the table only for the bare pump (without motor and chase).



SMT315/50



DEFINITION

These pumps are high altitude and high flow pumps with cast iron body, cast iron impeller, horizontal shaft, single stage, end suction and coupling connection. It is designed to be used in pressurizing low viscosity liquids that are non-corrosive, non-flammable, and do not contain solid particles and fibers. These pumps are manufactured at frequencies of 50 Hz and 60 Hz.

USAGE AREAS

These pumps are used in industrial facilities, social facilities, washing systems, agricultural and drip irrigation, treatment facilities, mining and iron and steel industry, boiler feeding and condensate, heating and cooling systems, booster and fire systems.

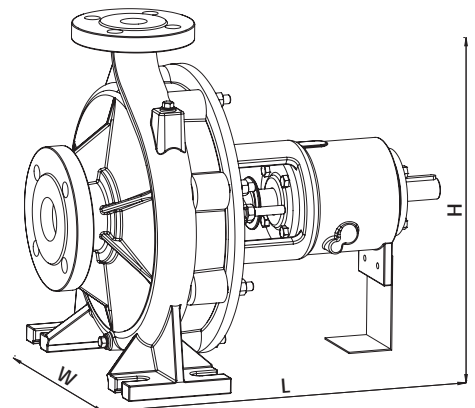
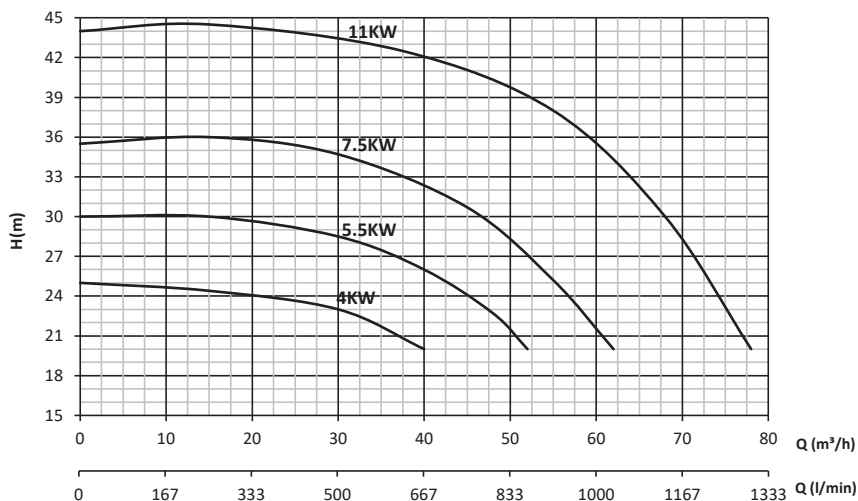
PUMP MATERIAL PROPERTIES

PUMP BODY	GG25 CAST IRON
IMPELLER	GG25 CAST IRON
SHAFT	AISI 420
FLOW RATE (max.)	78 m ³ /hour
TOTAL HEAD (max.)	44 m
LIQUID PUMPING TEMPERATURE	0-45°C (*120°C)
SEAL	SOFT SEAL / MECHANICAL SEAL
INPUT FLANGE	DN 65 PN 16
OUTPUT FLANGE	DN 50 PN 16
PUMP DURABILITY PRESSURE (Pmax)	16 bar

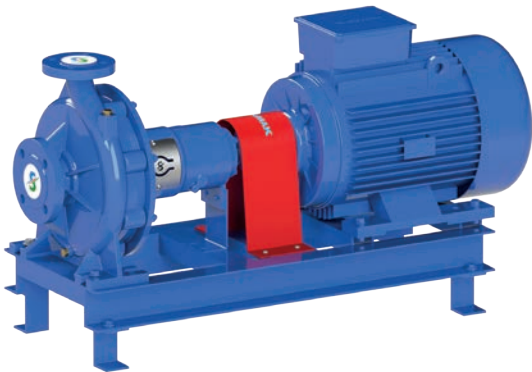
TECHNICAL SPECIFICATIONS

MOTOR					PUMP												
TYPE	KW	V	Hz	RPM	Hm	INPUT	OUTPUT	W mm	L mm	H mm	KG	m ³ /h	20	30	40	50	60
SMT315/50	4	380	50	1450	25	DN65	DN50	320	575	505	79	mss	24	23	20	-	-
	5.5	380	50	1450	30	DN65	DN50	320	575	505	80		29	28	26	21	-
	7.5	380	50	1450	36.5	DN65	DN50	320	575	505	81		36	34	32	28	22
	11	380	50	1450	44.5	DN65	DN50	320	575	505	82		44	43	42	40	35

*Optionally, it can be manufactured to be used in hot water applications up to 120 °C.
NOTE: The dimensions and weights in the table only for the bare pump (without motor and chase).



SMT315/65



DEFINITION

These pumps are high altitude and high flow pumps with cast iron body, cast iron impeller, horizontal shaft, single stage, end suction and coupling connection. It is designed to be used in pressurizing low viscosity liquids that are non-corrosive, non-flammable, and do not contain solid particles and fibers. These pumps are manufactured at frequencies of 50 Hz and 60 Hz.

USAGE AREAS

These pumps are used in industrial facilities, social facilities, washing systems, agricultural and drip irrigation, treatment facilities, mining and iron and steel industry, boiler feeding and condensate, heating and cooling systems, booster and fire systems.

PUMP MATERIAL PROPERTIES

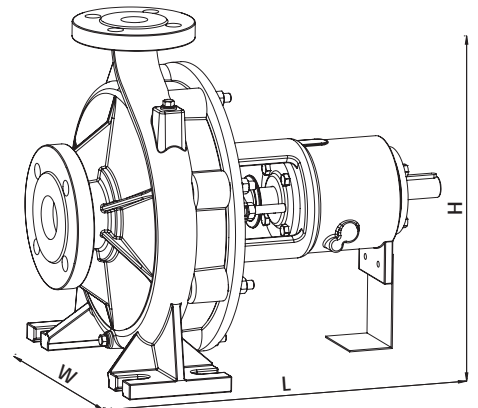
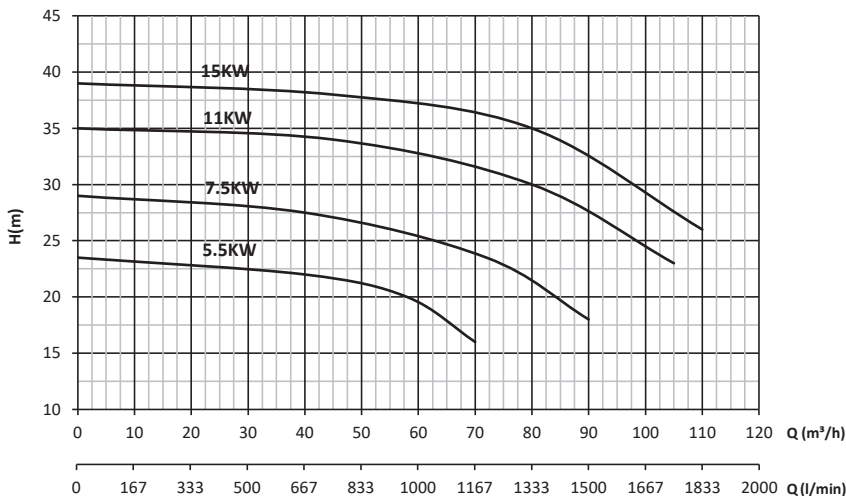
PUMP BODY	GG25 CAST IRON
IMPELLER	GG25 CAST IRON
SHAFT	AISI 420
FLOW RATE (max.)	110 m ³ /hour
TOTAL HEAD (max.)	38 m
LIQUID PUMPING TEMPERATURE	0-45°C (*120°C)
SEAL	SOFT SEAL / MECHANICAL SEAL
INPUT FLANGE	DN 80 PN 16
OUTPUT FLANGE	DN 65 PN 16
PUMP DURABILITY PRESSURE (Pmax)	16 bar

TECHNICAL SPECIFICATIONS

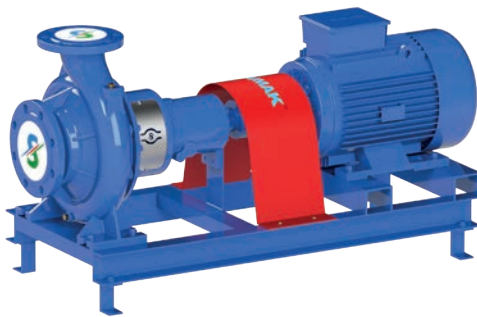
MOTOR					PUMP												
TYPE	KW	V	Hz	RPM	Hm	INPUT	OUTPUT	W mm	L mm	H mm	KG	m ³ /h	20	40	60	80	100
SMT315/65	5.5	380	50	1450	24	DN80	DN65	400	595	505	89	mss	23	22	19.5	-	-
	7.5	380	50	1450	29	DN80	DN65	400	595	505	90		28	27.5	25	22	-
	11	380	50	1450	35	DN80	DN65	400	595	505	91		34.5	34	33	30	24
	15	380	50	1450	39	DN80	DN65	400	595	505	92		38	37.5	37	35	29

*Optionally, it can be manufactured to be used in hot water applications up to 120 °C.

NOTE: The dimensions and weights in the table only for the bare pump (without motor and chase).



SMT315/80



DEFINITION

These pumps are high altitude and high flow pumps with cast iron body, cast iron impeller, horizontal shaft, single stage, end suction and coupling connection. It is designed to be used in pressurizing low viscosity liquids that are non-corrosive, non-flammable, and do not contain solid particles and fibers. These pumps are manufactured at frequencies of 50 Hz and 60 Hz.

USAGE AREAS

These pumps are used in industrial facilities, social facilities, washing systems, agricultural and drip irrigation, treatment facilities, mining and iron and steel industry, boiler feeding and condensate, heating and cooling systems, booster and fire systems.

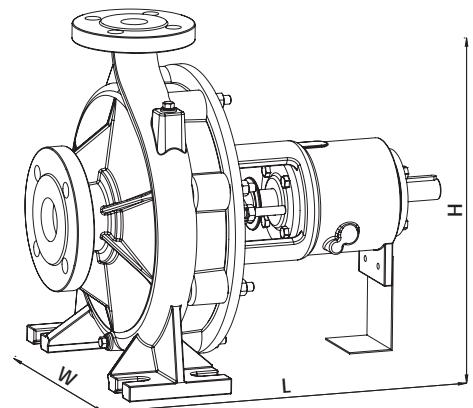
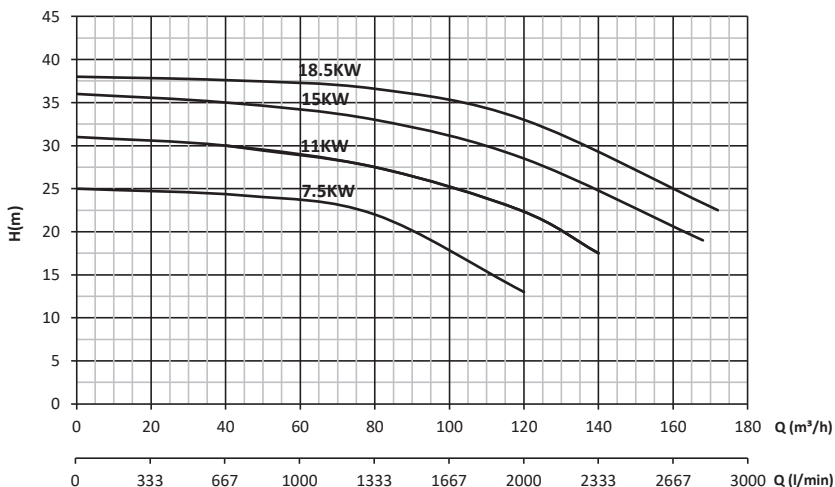
PUMP MATERIAL PROPERTIES

PUMP BODY	GG25 CAST IRON
IMPELLER	GG25 CAST IRON
SHAFT	AISI 420
FLOW RATE (max.)	170 m ³ /hour
TOTAL HEAD (max.)	38 m
LIQUID PUMPING TEMPERATURE	0-45°C (*120°C)
SEAL	SOFT SEAL / MECHANICAL SEAL
INPUT FLANGE	DN 100 PN 16
OUTPUT FLANGE	DN 80 PN 16
PUMP DURABILITY PRESSURE (Pmax)	16 bar

TECHNICAL SPECIFICATIONS

MOTOR					PUMP												
TYPE	KW	V	Hz	RPM	Hm	INPUT	OUTPUT	W mm	L mm	H mm	KG	m ³ /h	80	100	120	140	160
SMT315/80	7.5	380	50	1450	25	DN100	DN80	400	595	565	101	mss	22	17	13	-	-
	11	380	50	1450	31	DN100	DN80	400	595	565	102		28	25	22	17	-
	15	380	50	1450	36	DN100	DN80	400	595	565	103		33	31	28	24	20
	18.5	380	50	1450	38	DN100	DN80	400	595	565	104		36	35	33	29	25

*Optionally, it can be manufactured to be used in hot water applications up to 120 °C.
NOTE: The dimensions and weights in the table only for the bare pump (without motor and chase).



SMC 270/80

New Product



DEFINITION

These pumps are high altitude and high flow pumps with cast iron body, cast iron impeller, horizontal split case body, single stage, double suction and coupling connection.

It is designed to be used in pressurizing low viscosity liquids that are non-corrosive, non-flammable, and do not contain solid particles and fibers. These pumps are manufactured at frequencies of 50 Hz and 60 Hz.

USAGE AREAS

These pumps are used for high flow water needs in industrial facilities, treatment facilities, heating and cooling systems, water mainses and pressurization facilities, booster and fire systems, in refineries and power plants.

PUMP MATERIAL PROPERTIES

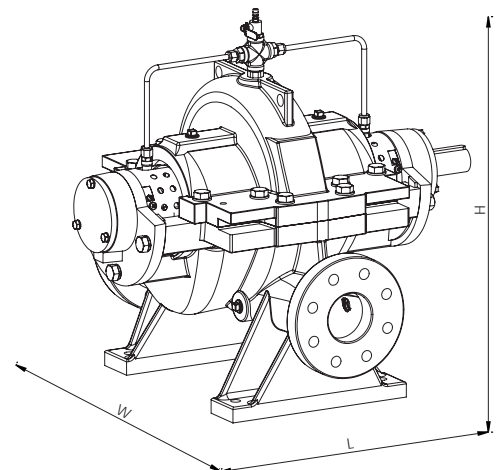
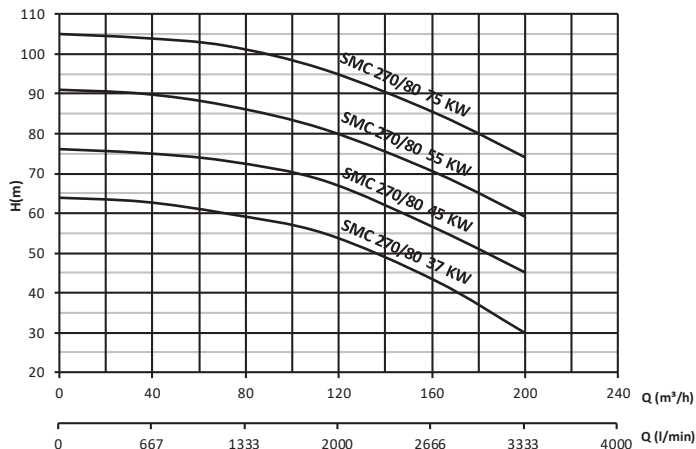
PUMP BODY	GGG40 CAST IRON
IMPELLER	GG25 CAST IRON (BRONZE CASTING)
SHAFT	AISI 420
FLOW RATE (max.)	220 m ³ /hour
TOTAL HEAD (max.)	105 m
LIQUID PUMPING TEMPERATURE	0-45°C (*120°C)
SEAL	SOFT SEAL
INPUT FLANGE	DN 125 PN 16
OUTPUT FLANGE	DN 80 PN 16
PUMP DURABILITY PRESSURE (Pmax)	16 bar

TECHNICAL SPECIFICATIONS

TYPE	MOTOR				PUMP												
	KW	V	Hz	RPM	Hm	INPUT	OUTPUT	W mm	L mm	H mm	KG	m ³ /h	60	80	120	160	200
SMC 270/80	37	380	50	2900	64	DN125	DN80	605	687	505	210	ms	61	54	52	43	30
	45	380	50	2900	76	DN125	DN80	605	687	505	210		79	72	66	56	45
	55	380	50	2900	91	DN125	DN80	605	687	505	210		89	85	80	70	59
	75	380	50	2900	105	DN125	DN80	605	687	505	210		103	102	95	85	74

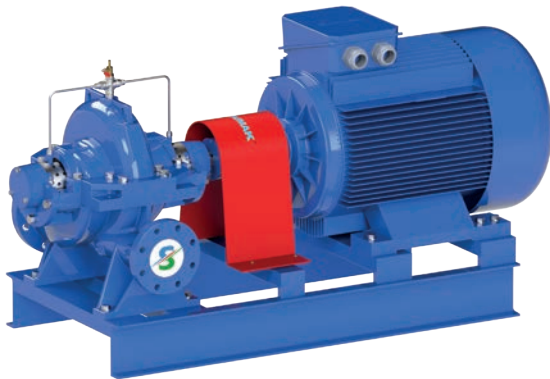
*Optionally, it can be manufactured to be used in hot water applications up to 120 °C.

NOTE: The dimensions and weights in the table only for the bare pump (without motor and chase).



SMC 310/100

New Product



DEFINITION

These pumps are high altitude and high flow pumps with cast iron body, cast iron impeller, horizontal split case body, single stage, double suction and coupling connection.

It is designed to be used in pressurizing low viscosity liquids that are non-corrosive, non-flammable, and do not contain solid particles and fibers. These pumps are manufactured at frequencies of 50 Hz and 60 Hz.

USAGE AREAS

These pumps are used for high flow water needs in industrial facilities, treatment facilities, heating and cooling systems, water mainses and pressurization facilities, booster and fire systems, in refineries and power plants.

PUMP MATERIAL PROPERTIES

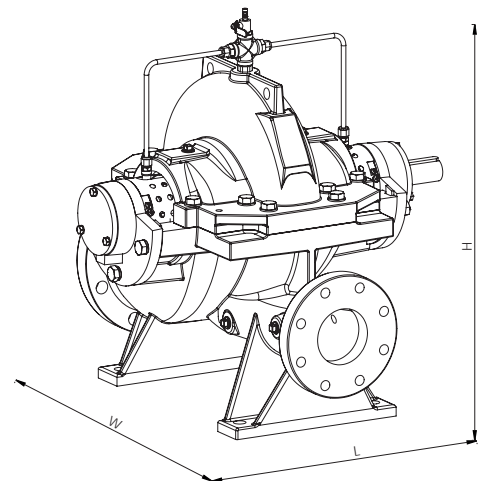
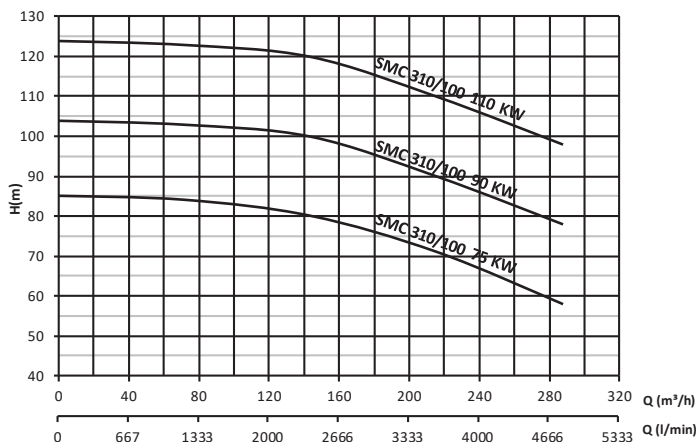
PUMP BODY	GGG40 CAST IRON
IMPELLER	GG25 CAST IRON (BRONZE CASTING)
SHAFT	AISI 420
FLOW RATE (max.)	300 m ³ /hour
TOTAL HEAD (max.)	125 m
LIQUID PUMPING TEMPERATURE	0-45°C (*120°C)
SEAL	SOFT SEAL
INPUT FLANGE	DN 150 PN 16
OUTPUT FLANGE	DN 100 PN 16
PUMP DURABILITY PRESSURE (Pmax)	16 bar

TECHNICAL SPECIFICATIONS

TYPE	MOTOR				PUMP												
	KW	V	Hz	RPM	Hm	INPUT	OUTPUT	W mm	L mm	H mm	KG	m ³ /h	120	160	200	240	280
SMC 310/100	75	380	50	2900	85	DN150	DN100	676	687	585	250	mss	81	78	73	66	59
	90	380	50	2900	104	DN150	DN100	676	687	585	250		101	97	92	85	79
	110	380	50	2900	124	DN150	DN100	676	687	585	250		120	118	112	105	99

*Optionally, it can be manufactured to be used in hot water applications up to 120 °C.

NOTE: The dimensions and weights in the table only for the bare pump (without motor and chase).



SML160/50

New Product



DEFINITION

These pumps are high altitude, high flow and easy to maintain pumps with cast iron body, cast iron impeller, vertical shaft, single stage, non self suction and coupling connection.

It is designed to be used in pressurizing low viscosity liquids that are non-corrosive, non-flammable, and do not contain solid particles and fibers.

These pumps are manufactured at frequencies of 50 Hz and 60 Hz.

USAGE AREAS

These pumps are used for high flow water needs in industrial facilities, treatment facilities, heating and cooling systems, water mainses and pressurization facilities, booster and fire systems, in refineries and power plants.

PUMP MATERIAL PROPERTIES

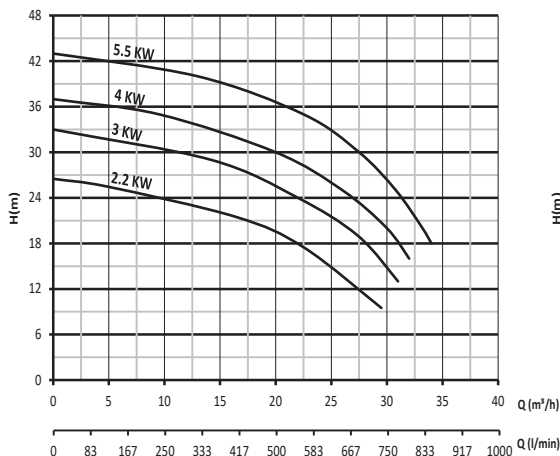
PUMP BODY	GG 25 CAST IRON
IMPELLER	GG 25 CAST IRON
SHAFT	AISI 420
FLOW RATE (max.)	130 m ³ /hour
TOTAL HEAD (max.)	50 m
LIQUID PUMPING TEMPERATURE	0-45°C (120°C)
PROTECTION CLASS	IP 54
INSULATION	CI.F
SEAL	CERAMIC / CARBON
INPUT - OUTPUT	DN 65 PN 16 (SML 160/65) - DN 80 PN 16 (SML 160/80)
PUMP DURABILITY PRESSURE (Pmax)	16 bar

TECHNICAL SPECIFICATIONS

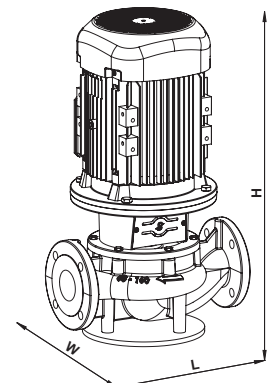
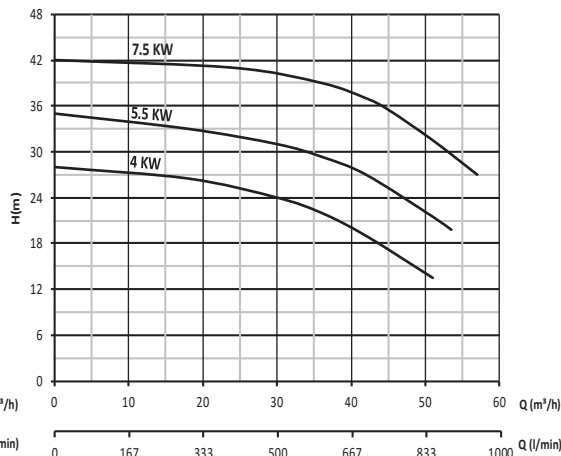
MOTOR					PUMP										
TYPE	KW	HP	Hz	RPM	INPUT OUTPUT	W mm	L mm	H mm	KG	m ³ /h	10	15	20	25	30
SML160/40	2.2	3	50	2900	DN40	270	350	550	46.5	mss	24	22	19.5	15	-
	3	4	50	2900	DN40	270	350	550	48		30.5	29	25.5	21.5	15
	4	5.5	50	2900	DN40	270	350	630	55.6		35	33	30	26	20
	5.5	7.5	50	2900	DN40	270	350	630	62.6		41	39	36.5	33	26
SML160/50	4	5.5	50	2900	DN50	270	340	660	65	mss	26.5	24	21.5	17	13
	5.5	7.5	50	2900	DN50	270	340	660	70		33	31	30	24.5	21
	7.5	10	50	2900	DN50	330	340	700	85		41.5	40	39	35	32

*Optionally, it can be manufactured to be used in hot water applications up to 120 °C.

SML160/40



SML160/50



SML160/80

New Product



DEFINITION

These pumps are high altitude, high flow and easy to maintain pumps with cast iron body, cast iron impeller, vertical shaft, single stage, non self suction and coupling connection.

It is designed to be used in pressurizing low viscosity liquids that are non-corrosive, non-flammable, and do not contain solid particles and fibers. These pumps are manufactured at frequencies of 50 Hz and 60 Hz.

USAGE AREAS

These pumps are used for high flow water needs in industrial facilities, treatment facilities, heating and cooling systems, water mainses and pressurization facilities, booster and fire systems, in refineries and power plants.

PUMP MATERIAL PROPERTIES

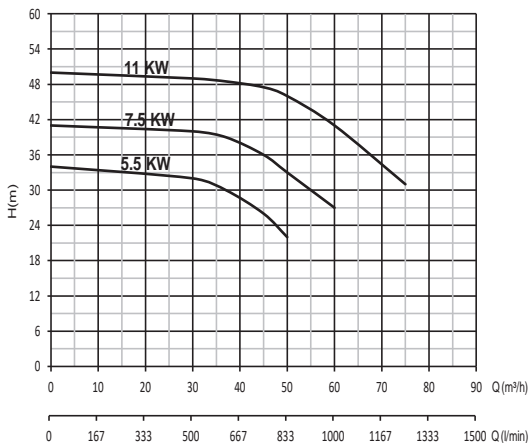
PUMP BODY	GG 25 CAST IRON
IMPELLER	GG 25 CAST IRON
SHAFT	AISI 420
FLOW RATE (max.)	130 m ³ /hour
TOTAL HEAD (max.)	50 m
LIQUID PUMPING TEMPERATURE	0-45°C (120°C)
PROTECTION CLASS	IP 54
INSULATION	CI.F
SEAL	CERAMIC / CARBON
INPUT - OUTPUT	DN 65 PN 16 (SML 160/65) - DN 80 PN 16 (SML 160/80)
PUMP DURABILITY PRESSURE (Pmax)	16 bar

TECHNICAL SPECIFICATIONS

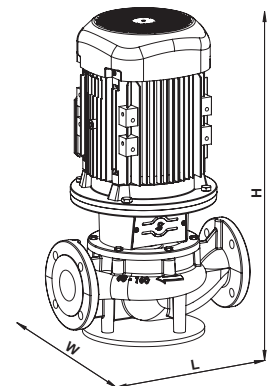
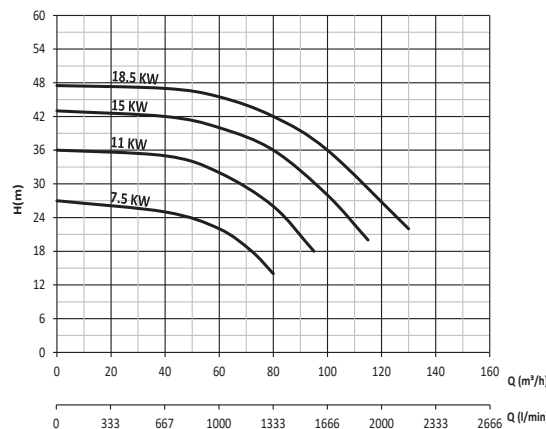
MOTOR					PUMP										
TYPE	KW	HP	Hz	RPM	INPUT OUTPUT	W mm	L mm	H mm	KG	m ³ /h	20	40	50	60	70
SML160/65	5.5	7.5	50	2900	DN65	252	380	640	71	mss	33	27	20	-	-
	7.5	10	50	2900	DN65	252	380	700	87		39	37	33	27	-
	11	15	50	2900	DN65	252	380	730	96		49	48	46	40	34
TYPE	KW	HP	Hz	RPM	INPUT OUTPUT	W mm	L mm	H mm	KG	m ³ /h	40	60	80	100	120
SML160/80	7.5	10	50	2900	DN80	280	425	750	95	mss	23.5	22	15	6	-
	11	15	50	2900	DN80	280	425	750	107		35	32	26	14	-
	15	20	50	2900	DN80	280	425	810	125		42	39	36	27	-
	18.5	25	50	2900	DN80	280	425	810	145		46	44	42	36	26

*Optionally, it can be manufactured to be used in hot water applications up to 120 °C.

SML160/65



SML160/80



SML 200/40 - SML 200/50

New Product



DEFINITION

These pumps are high altitude, high flow and easy to maintain pumps with cast iron body, cast iron impeller, vertical shaft, single stage, non self suction and coupling connection.

It is designed to be used in pressurizing low viscosity liquids that are non-corrosive, non-flammable, and do not contain solid particles and fibers. These pumps are manufactured at frequencies of 50 Hz and 60 Hz.

USAGE AREAS

These pumps are used for high flow water needs in industrial facilities, treatment facilities, heating and cooling systems, water mainses and pressurization facilities, booster and fire systems, in refineries and power plants.

PUMP MATERIAL PROPERTIES

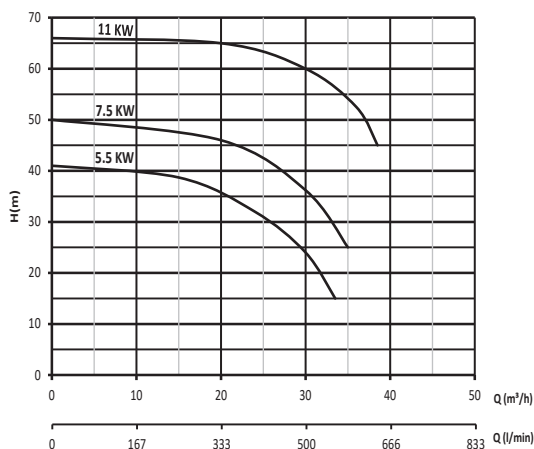
PUMP BODY	GG 25 CAST IRON
IMPELLER	GG 25 CAST IRON
SHAFT	AISI 420
FLOW RATE (max.)	42 m ³ /hour
TOTAL HEAD (max.)	13 m
LIQUID PUMPING TEMPERATURE	0-45°C (120°C)
PROTECTION CLASS	IP 54
INSULATION	C.I.F
SEAL	CERAMIC / CARBON
INPUT - OUTPUT	SML 200/40 (DN 40 PN 16) - SML 200/50 (DN 50 PN 16)
PUMP DURABILITY PRESSURE (Pmax)	16 bar

TECHNICAL SPECIFICATIONS

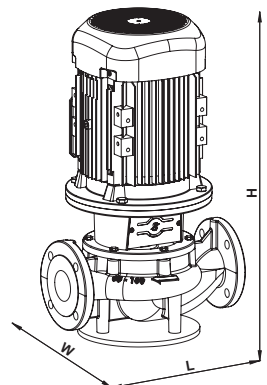
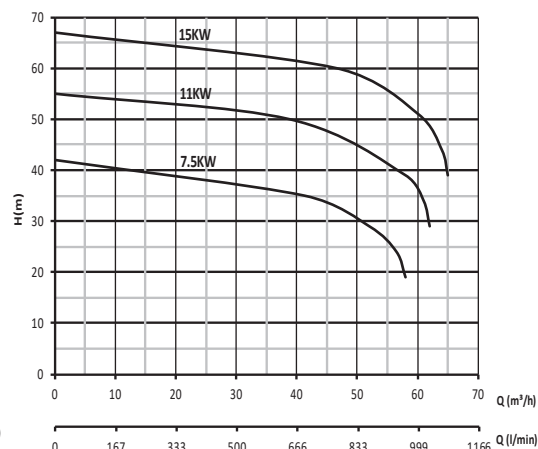
MOTOR					PUMP										
TYPE	KW	HP	Hz	RPM	INPUT OUTPUT	W mm	L mm	H mm	KG	m ³ /h	5	10	20	30	35
SML 200/40	5.5	7.5	50	2900	DN40	275	380	585	80	mss	40.5	40	35.5	24	-
	7.5	10	50	2900	DN40	300	380	650	87		49.5	48	46	36	25
	11	15	50	2900	DN40	300	380	650	90		65.5	65	64.5	60	54.5
TYPE	KW	HP	Hz	RPM	INPUT OUTPUT	W mm	L mm	H mm	KG	m ³ /h	20	30	40	50	60
SML 200/50	7.5	10	50	2900	DN50	300	425	700	90	mss	39	38	35	30	-
	11	15	50	2900	DN50	300	425	730	101		53	52	50	45	37
	15	20	50	2900	DN50	350	425	820	136		64.5	63	61	58	51

*Optionally, it can be manufactured to be used in hot water applications up to 120 °C.

SML200/40



SML200/50



SML 250/50

New Product



DEFINITION

These pumps are high altitude, high flow and easy to maintain pumps with cast iron body, cast iron impeller, vertical shaft, single stage, non self suction and coupling connection.

It is designed to be used in pressurizing low viscosity liquids that are non-corrosive, non-flammable, and do not contain solid particles and fibers. These pumps are manufactured at frequencies of 50 Hz and 60 Hz.

USAGE AREAS

These pumps are used for high flow water needs in industrial facilities, treatment facilities, heating and cooling systems, water mainses and pressurization facilities, booster and fire systems, in refineries and power plants.

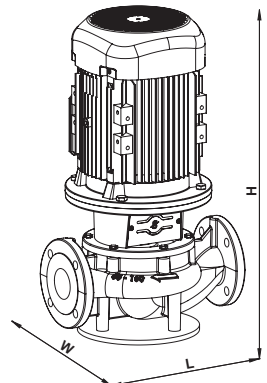
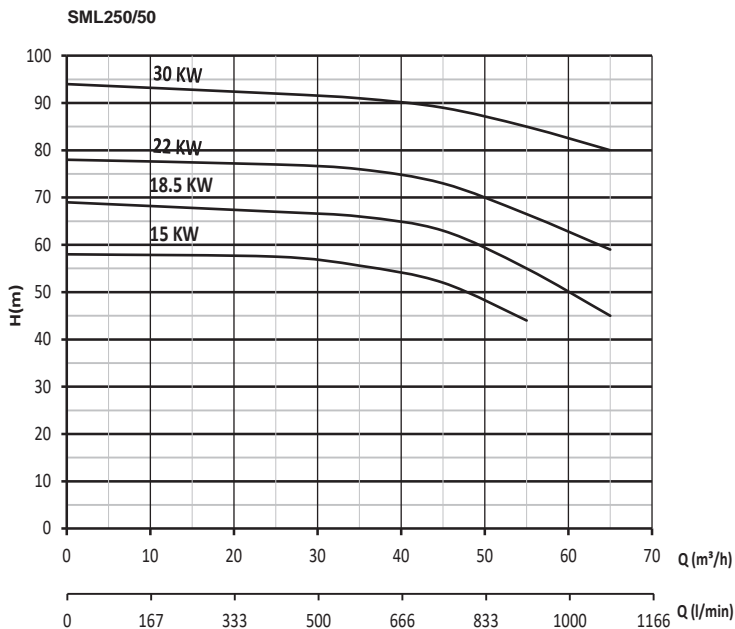
PUMP MATERIAL PROPERTIES

PUMP BODY	GG 25 CAST IRON
IMPELLER	GG 25 CAST IRON
SHAFT	AISI 420
FLOW RATE (max.)	65 m ³ /hour
TOTAL HEAD (max.)	94 m
LIQUID PUMPING TEMPERATURE	0-45°C (120°C)
PROTECTION CLASS	IP 54
INSULATION	CI.F
SEAL	CERAMIC / CARBON
INPUT - OUTPUT	DN 50 PN 16
PUMP DURABILITY PRESSURE (Pmax)	16 bar

TECHNICAL SPECIFICATIONS

MOTOR					PUMP										
TYPE	KW	HP	Hz	RPM	INPUT OUTPUT	W mm	L mm	H mm	KG	m ³ /h	10	20	40	50	60
SML250/50	15	20	50	2900	DN50	342	475	820	150	mss	56.5	56	55	48	-
	18.5	25	50	2900	DN50	342	475	820	160		68	67	65	60	50
	22	30	50	2900	DN50	375	475	870	182		77	76	75	70	62.5
	30	40	50	2900	DN50	375	475	870	190		93	92	90.5	87	82.5

*Optionally, it can be manufactured to be used in hot water applications up to 120 °C.



SML160/50 - SML160/65 - SML160/80

New Product



DEFINITION

These pumps are high altitude, high flow and easy to maintain pumps with cast iron body, cast iron impeller, vertical shaft, single stage, non self suction and coupling connection.

It is designed to be used in pressurizing low viscosity liquids that are non-corrosive, non-flammable, and do not contain solid particles and fibers. These pumps are manufactured at frequencies of 50 Hz and 60 Hz.

USAGE AREAS

These pumps are used for high flow water needs in industrial facilities, treatment facilities, heating and cooling systems, water mainses and pressurization facilities, booster and fire systems, in refineries and power plants.

PUMP MATERIAL PROPERTIES

PUMP BODY	GG 25 CAST IRON
IMPELLER	GG 25 CAST IRON
SHAFT	AISI 420
FLOW RATE (max.)	54 m ³ /hour
TOTAL HEAD (max.)	12 m
LIQUID PUMPING TEMPERATURE	0-45°C (120°C)
PROTECTION CLASS	IP 54
INSULATION	C.I.F
SEAL	CERAMIC / CARBON
INPUT - OUTPUT	DN 65 PN 16 (SML 160/65) - DN 80 PN 16 (SML 160/80)
PUMP DURABILITY PRESSURE (Pmax)	16 bar

TECHNICAL SPECIFICATIONS

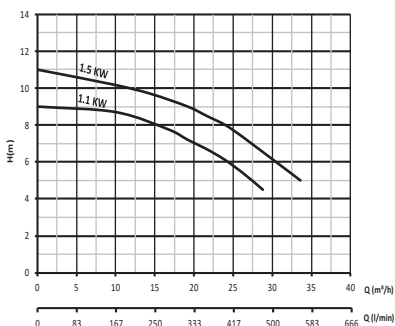
MOTOR					PUMP										
TYPE	KW	HP	Hz	RPM	INPUT OUTPUT	W mm	L mm	H mm	KG	m ³ /h	10	15	20	25	30
SML160/50	1.1	1.5	50	1450	DN50	270	340	550	49	mss	8.5	8	7	6	4
	1.5	2	50	1450	DN50	270	340	550	51		10	9.5	9	7.5	6

TYPE	KW	HP	Hz	RPM	INPUT OUTPUT	W mm	L mm	H mm	KG	m ³ /h	8	12	20	28	32
SML160/65	1.1	1.5	50	1450	DN65	252	380	550	37	mss	10.4	10	9.5	7.5	-
	1.5	2	50	1450	DN65	252	380	550	37		11.8	11.6	11.4	10.4	9.2

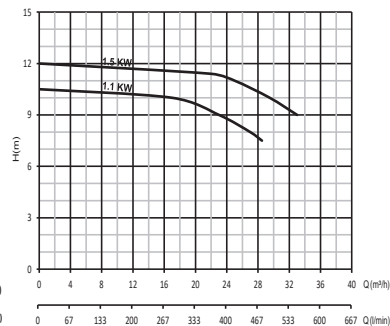
TYPE	KW	HP	Hz	RPM	INPUT OUTPUT	W mm	L mm	H mm	KG	m ³ /h	18	30	42	48	54
SML160/80	1.1	1.5	50	1450	DN80	280	425	570	41	mss	8	7	5	-	-
	1.5	2	50	1450	DN80	280	425	570	41		10	9.5	8	6.5	5

*Optionally, it can be manufactured to be used in hot water applications up to 120 °C.

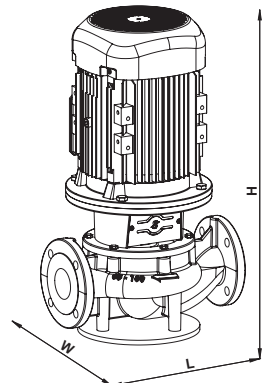
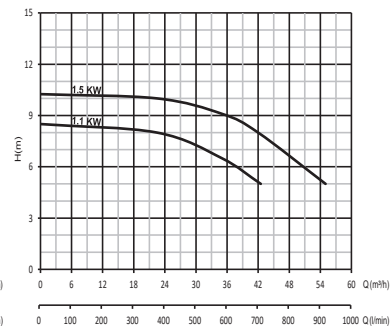
SML160/50



SML160/65



SML160/80



SML 200/40 - SML 200/50

New Product



DEFINITION

These pumps are high altitude, high flow and easy to maintain pumps with cast iron body, cast iron impeller, vertical shaft, single stage, non self suction and coupling connection.

It is designed to be used in pressurizing low viscosity liquids that are non-corrosive, non-flammable, and do not contain solid particles and fibers. These pumps are manufactured at frequencies of 50 Hz and 60 Hz.

USAGE AREAS

These pumps are used for high flow water needs in industrial facilities, treatment facilities, heating and cooling systems, water mainses and pressurization facilities, booster and fire systems, in refineries and power plants.

PUMP MATERIAL PROPERTIES

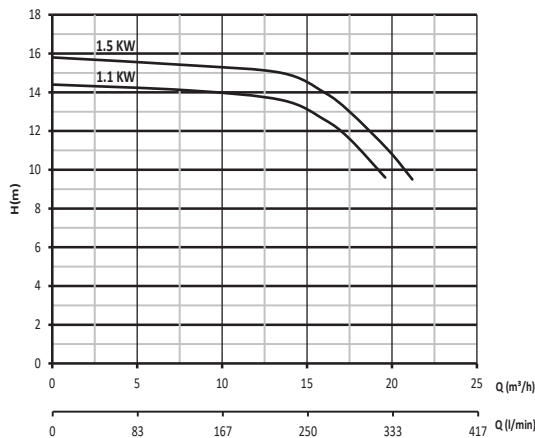
PUMP BODY	GG 25 CAST IRON
IMPELLER	GG 25 CAST IRON
SHAFT	AISI 420
FLOW RATE (max.)	42 m ³ /hour
TOTAL HEAD (max.)	13 m
LIQUID PUMPING TEMPERATURE	0-45°C (120°C)
PROTECTION CLASS	IP 54
INSULATION	CI.F
SEAL	CERAMIC / CARBON
INPUT - OUTPUT	SML 200/40 (DN 40 PN 16) - SML 200/50 (DN 50 PN 16)
PUMP DURABILITY PRESSURE (Pmax)	16 bar

TECHNICAL SPECIFICATIONS

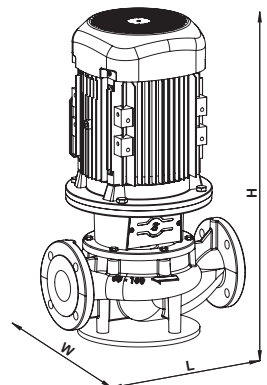
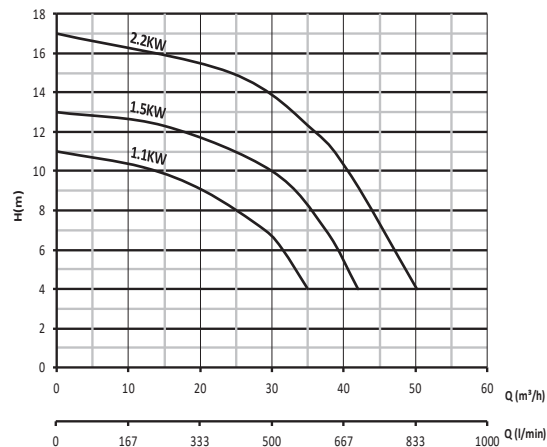
MOTOR					PUMP										
TYPE	KW	HP	Hz	RPM	INPUT OUTPUT	W mm	L mm	H mm	KG	m ³ /h	5	12	15	20	25
SML 200/40	1.1	1.5	50	1450	DN40	250	380	380	50	mss	14.2	14	13	9	-
	1.5	2	50	1450	DN40	250	380	380	55		15.5	15	14.5	11	-
TYPE	KW	HP	Hz	RPM	INPUT OUTPUT	W mm	L mm	H mm	KG	m ³ /h	10	20	30	40	50
SML 200/50	1.1	1.5	50	1450	DN50	300	425	540	55	mss	10.5	9	6.5	-	-
	1.5	2	50	1450	DN50	300	425	540	60		12.5	11.5	10	5.5	-
	2.2	3	50	1450	DN50	300	425	540	60		16.5	15.5	14	10	4

*Optionally, it can be manufactured to be used in hot water applications up to 120 °C.

SML200/40



SML200/50



SML 250/50

New Product



DEFINITION

These pumps are high altitude, high flow and easy to maintain pumps with cast iron body, cast iron impeller, vertical shaft, single stage, non self suction and coupling connection.

It is designed to be used in pressurizing low viscosity liquids that are non-corrosive, non-flammable, and do not contain solid particles and fibers. These pumps are manufactured at frequencies of 50 Hz and 60 Hz.

USAGE AREAS

These pumps are used for high flow water needs in industrial facilities, treatment facilities, heating and cooling systems, water mainises and pressurization facilities, booster and fire systems, in refineries and power plants.

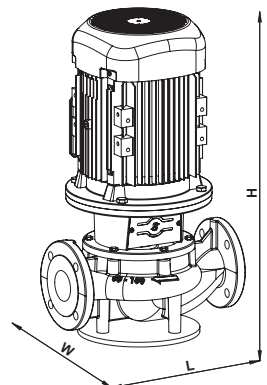
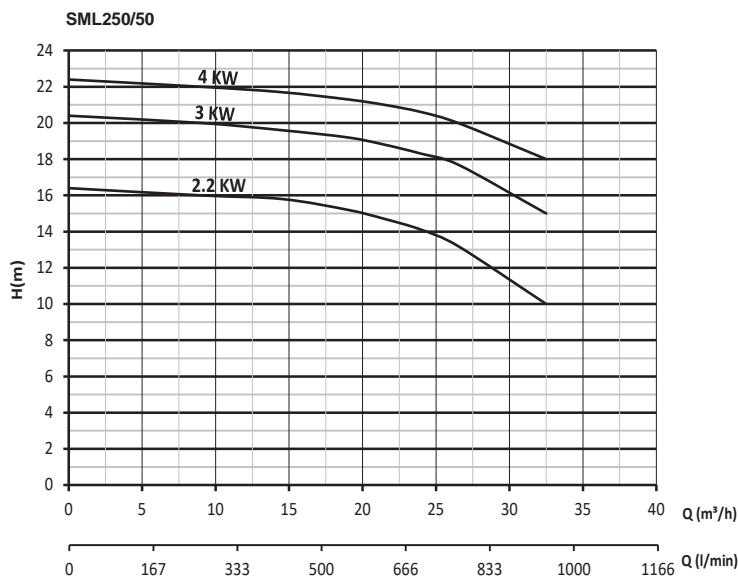
PUMP MATERIAL PROPERTIES

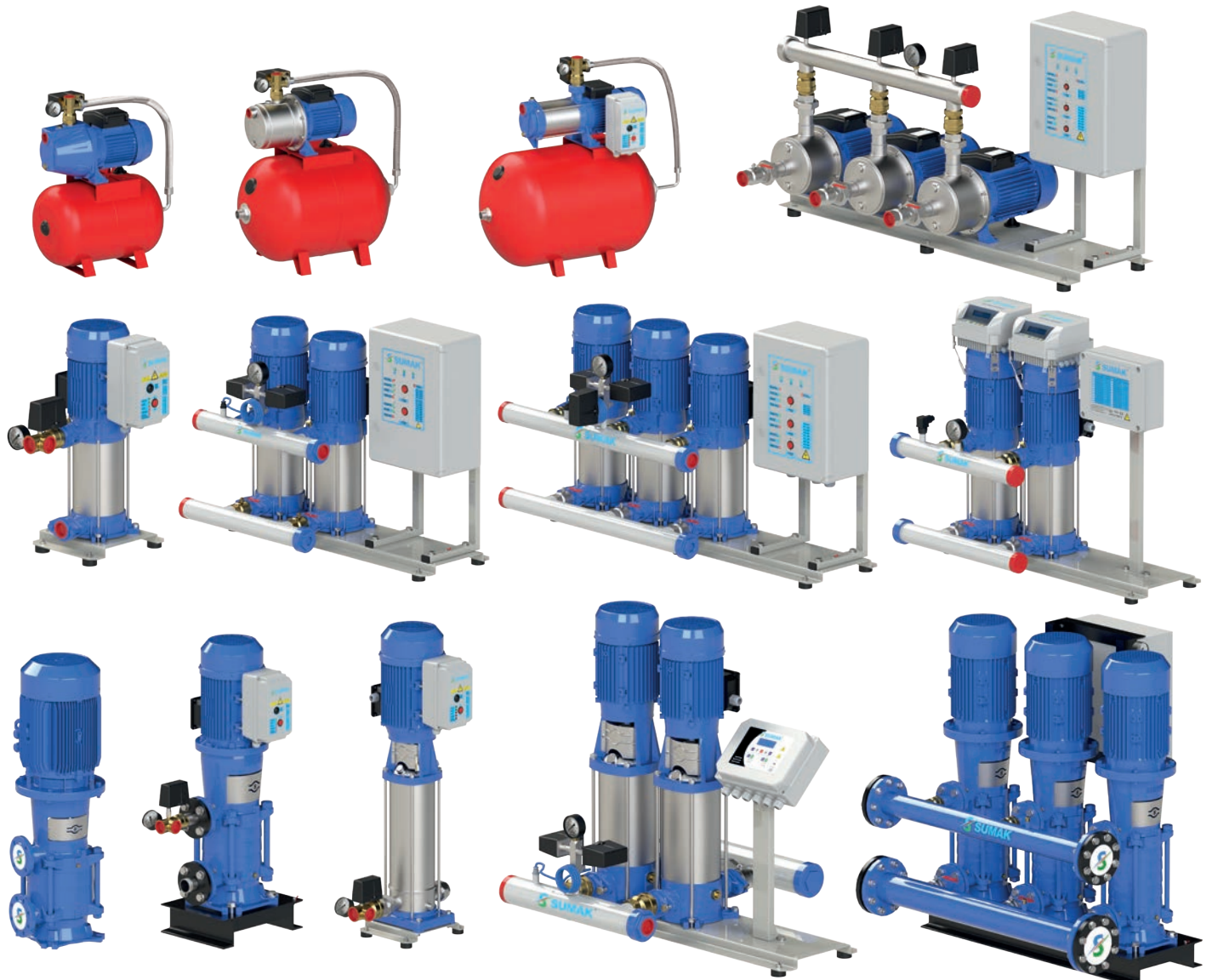
PUMP BODY	GG 25 CAST IRON
IMPELLER	GG 25 CAST IRON
SHAFT	AISI 420
FLOW RATE (max.)	32.5 m ³ /hour
TOTAL HEAD (max.)	16.5 m
LIQUID PUMPING TEMPERATURE	0-45°C (120°C)
PROTECTION CLASS	IP 54
INSULATION	Cl.F
SEAL	CERAMIC / CARBON
INPUT - OUTPUT	DN 50 PN 16
PUMP DURABILITY PRESSURE (Pmax)	16 bar

TECHNICAL SPECIFICATIONS

TYPE	MOTOR				PUMP										
	KW	HP	Hz	RPM	INPUT OUTPUT	W mm	L mm	H mm	KG	m ³ /h	5	15	20	25	30
SML 250/50	2.2	3	50	1450	DN50	342	475	535	66	mss	16	15.5	15	14	11.5
	3	4	50	1450	DN50	300	475	575	69		20	19.5	19	18	16.5
	4	5.5	50	1450	DN50	300	475	575	72		22	21.5	21	20.5	19

*Optionally, it can be manufactured to be used in hot water applications up to 120 °C.





PLASTIC PIPE		25	32	40	50	63	75	90	110	140	160	200	225	280
METAL PIPE		3/4"	1"	1 1/4	1 1/2	2"	2 1/2	3"	4"	5"	6"	7"	8"	10"
m ³ /h	lt/sn	FRICTION LOSS AT 100 METERS												
1.2	0.33	10,4	3,7	1	0,3									
1.5	0.41	15,8	5,7	1,5	0,5									
1.8	0.50	22,3	8	2,1	0,7									
2.1	0.58	29,8	10,8	2,8	0,9	0,3								
2.4	0.66	38,2	13,8	2,7	1,2	0,4								
3	0.83	58,2	21,1	8	1,8	0,6								
3.6	1.00	82	30	10,8	2,5	0,9								
4.2	1.16		40	13,9	3,3	1,1								
4.8	1.33		51,5	17,5	4,3	1,5								
5.4	1.50		64	21,4	5,4	1,8	0,5							
6	1.66		79	33	6,6	2,2	0,6							
7.5	2.08			47	10	3,4	0,9							
9	2.50			63	14,2	4,7	1,2	0,4						
10.5	2.91			82	19	6,3	1,6	0,6						
12	3.33				24,5	8,1	2,1	0,7						
15	4.16				37,5	12,3	3,2	1,1	0,4					
18	5.00				53	17,3	4,5	1,6	0,5					
24	6.66					29,5	7,8	2,7	0,9					
30	8.33					44,8	12	4,1	1,4	0,5				
36	10.00						16,9	5,8	1,9	0,7				
42	11.60						22,6	7,8	2,6	0,9				
48	13.30						29	10	3,4	1,2	0,4			
54	15.00						36	12,5	4,2	1,5	0,5			
60	16.60							15,2	5,1	1,8	0,7			
75	20.80							23	7,9	2,7	1	0,5		
90	25.00							32,6	11,2	3,8	1,4	0,7		
105	29.10								15	5	1,9	0,9	0,5	
120	33.30								19,4	6,5	2,4	1,2	0,6	
150	41.60								30	9,8	3,8	1,8	0,9	
180	50.00									13,8	5,3	2,5	1,3	
240	66.60									23,8	9,1	4,4	2,2	0,7
300	83.30										13,9	6,6	3,3	1,1
360	100.00										20	9,5	4,7	1,6
420	116.60											12,8	6,4	2,1
480	133.30											21	10,5	3,5

BAR SELECTION TABLE ACCORDING TO THE NUMBER OF FLOORS Table 1

NUMBER OF FLOORS	PA(BAR)	NUMBER OF FLOORS	PA(BAR)
1	2.4	16	7.6
2	2.8	17	7.9
3	3.1	18	8.3
4	3.5	19	8.6
5	3.8	20	9
6	4.1	21	9.3
7	4.5	22	9.7
8	4.8	23	10
9	5.2	24	10.4
10	5.5	25	10.7
11	5.9	26	11
12	6.2	27	11.4
13	6.6	28	11.7
14	6.9	29	12.1
15	7.3	30	12.4

FLOW (m³/h) SELECTION TABLE ACCORDING TO THE NUMBER OF FLATS Table 2

NUMBER OF FLATS	m ³ /h	NUMBER OF FLATS	Q (m ³ /h)	NUMBER OF FLATS	Q (m ³ /h)	NUMBER OF FLATS	Q (m ³ /h)	NUMBER OF FLATS	Q (m ³ /h)
2	0.8	32	6.7	64	13.4	128	26.8	256	53.6
4	1.6	34	7.2	68	14.4	136	28.8	272	57.6
6	1.8	36	7.6	72	15.2	144	30.4	288	60.8
8	2	38	8	76	16	152	32	304	64
10	2.4	40	8.4	80	16.8	160	33.6	320	67.2
12	2.5	42	8.8	84	17.6	168	35.2	336	70.4
14	2.9	44	9.3	88	18.6	176	37.2	352	74.4
16	3.4	46	9.7	92	19.4	184	38.8	368	77.6
18	3.8	48	10.1	96	20.2	192	40.4	384	80.8
20	4.2	50	10.5	100	21	200	42	400	84
22	4.6	52	10.9	104	21.8	208	43.6	416	87.2
24	5	54	11.3	108	22.6	216	45.2	432	90.4
26	5.5	56	11.8	112	23.6	224	47.2	448	94.4
28	5.9	58	12.2	116	24.4	232	48.8	464	97.6
30	6.3	60	12.6	120	25.2	240	50.4	480	100.8

RECOMMENDED MINIMUM TANK VOLUMES ACCORDING TO PUMP TYPE Table 3

PUMP TYPE	LITERS	PUMP TYPE	LITERS
SHT 6 x 1	80 lt	SHT 34 x 1	750 lt
SHT 8 x 1	100 lt	SHT 32 x 1	500 lt
SHT 12 x 1	200 lt	SHT 40 x 1	750 lt
SHT 16 x 1	300 lt	SHT 50 x 1	1000 lt
SHT 24 x 1	500 lt	SHT 65 x 1	2000 lt

NOTE: You have to use 16 bar expansion tank for pressure over than 10 bar pumps.

Uses of tables; Determine the pressure according to the number of floors from Table 1. Determine the flow rate (m³/h) according to the number of flats from Table 2. You can choose the most suitable pump type for you by intersecting these two data you have selected from the curve graphs of the products in the booster group. You can select the minimum tank volume from table 3 according to the pump type you have selected.

SMH BOX 120

New Product



DEFINITION

These pumps are designed to maximize energy savings and provide constant pressure water in case of variable flow rate where the city mains water is insufficient and in residential units with tanks for water interruption.

USAGE AREAS

This type of pumps are used in residential areas, apartments, villas and small scale automatic irrigation systems.

PUMP MATERIAL PROPERTIES

PUMP BODY	TECHNOPOLYMER
IMPELLER	AISI 304 INOX
SHAFT	AISI 304 INOX
FLOW RATE (max.)	5.2 m ³ /hour
TOTAL HEAD (max.)	54 m
LIQUID PUMPING TEMPERATURE	0-30°C (120°C)
PROTECTION CLASS	IP 54
INSULATION	Cl.F
SEAL	CERAMIC / CARBON
PUMP DURABILITY PRESSURE (Pmax)	6 bar

TECHNICAL SPECIFICATIONS

MOTOR										PUMP									
TYPE	KW	HP	V	Hz	A	RPM	INPUT OUTPUT	Hm	W mm	L mm	H mm	KG	m ³ /h	1	2	3	4	5	
SMH BOX 120	0.9	1.2	220	50	6.8	1450/2900	1"	54	211	427	224	8.6	mss	48	41	32	22	-	

- Usage minimum energy due to internal frequency control.
- Perfect compact design for villas and residences up to 5 floors.
- Ultra quiet design (48 dB).
- LED screen with buttons.
- Check valve and pressure sensor.
- Fault alarms.
- Protection against operation without water.
- Regular water flow with 0.1 bar pressure sensitivity.



Protection Against Overheating



Protection Against Overload



Low Water Protection



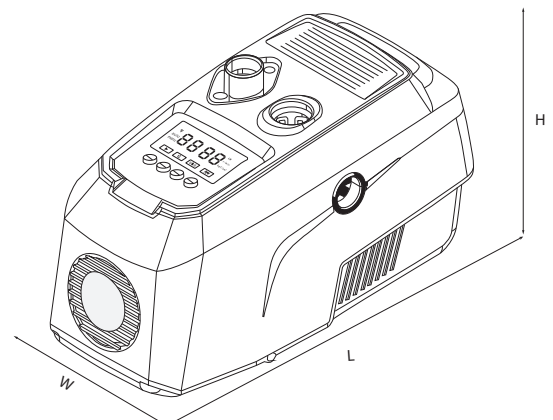
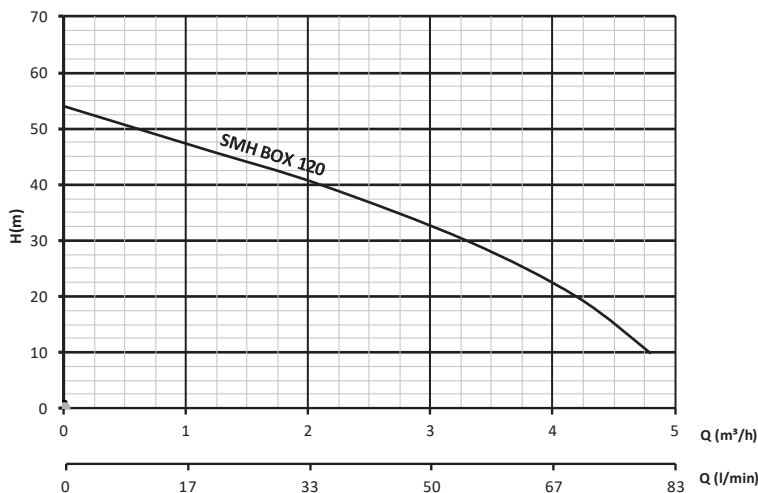
Low Voltage Protection



Impact Resistant



Fault Alarm



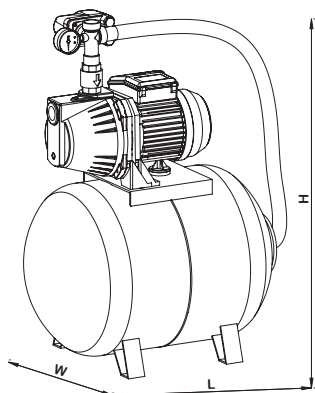
SMJH 85



SMINOX H 150-4



SYMH 12



DEFINITION

These boosters are systems that enable water to reach comfortably in cases where the city mains water is insufficient, in high rise buildings, in residential units with tanks for water interruption and they operate completely automatically according to their intended use.

These pumps are manufactured at frequencies of 50 Hz and 60 Hz.

USAGE AREAS

These pumps are used in residential areas, apartments, villas, schools, hospitals, factories and public housing, hotels and garden irrigation.

TYPE	HP	Hm Mss	Q Max m ³ /h	TANK VOLUME	W mm	L mm	H mm	NUMBER OF FLATS	NUMBER OF FLOORS
SMJH 85 (FLOATER)	0.85	40	3.5	24	350	440	590	4	4
SMJKH 100 (FLOATER)	1	45	3.5	24	350	440	590	5	5
SMJH 150 (FLOATER)	1.5	53	4.5	50	350	630	720	10	5
SMJH 220 (FLOATER+CONTROL PANEL)	2.2	74	6	100	410	845	810	16	8

TYPE	HP	Hm Mss	Q Max m ³ /h	TANK VOLUME	W mm	L mm	H mm	NUMBER OF FLATS	NUMBER OF FLOORS
SMINOX H 150/4 SMINOX H 150/4T (FLOATER)	1.5	55	5.8	50	350	650	720	12	5

TYPE	HP	Hm Mss	Q Max m ³ /h	TANK VOLUME	W mm	L mm	H mm	NUMBER OF FLATS	NUMBER OF FLOORS
SYMH6-100/6 SYMTH6-100/6 (FLOATER+CONTROL PANEL)	1	55	6	100	505	795	840	13 - 15	6 - 3
SYMH6-150/8 SYMTH6-150/8 (FLOATER+CONTROL PANEL)	1.5	72	6	100	505	880	840	12 - 20	9 - 4
SYMH8-220/6 SYMTH8-220/6 (FLOATER+CONTROL PANEL)	2.2	85	8	100	505	795	840	18 - 10	6 - 10
SYMH8-300/8 SYMTH8-300/8 (FLOATER+CONTROL PANEL)	3	110	8	100	505	800	840	24 - 20	10 - 14
SYMH12-220/4 SYMTH12-220/4 (FLOATER+CONTROL PANEL)	2.2	55	12	100	505	785	840	34 - 16	6 - 8
SYMH12-300/6 SYMTH12-300/6 (FLOATER+CONTROL PANEL)	3	75	12	100	505	790	840	32 - 18	10 - 13

DEFINITION

These boosters are systems that enable water to reach comfortably in cases where the city mains water is insufficient, in high rise buildings, in residential units with tanks for water interruption and they operate completely automatically according to their intended use.

This type of boosters are self priming (4 meters) systems.

These pumps are manufactured at frequencies of 50 Hz and 60 Hz.

USAGE AREAS

These boosters are used in residential areas, industrial facilities, apartments, villas, schools, hospitals, factories and public housing, hotels, irrigation systems, treatment plants, heating and cooling systems.

SMKTA750



SMKTB750



SMKTC750



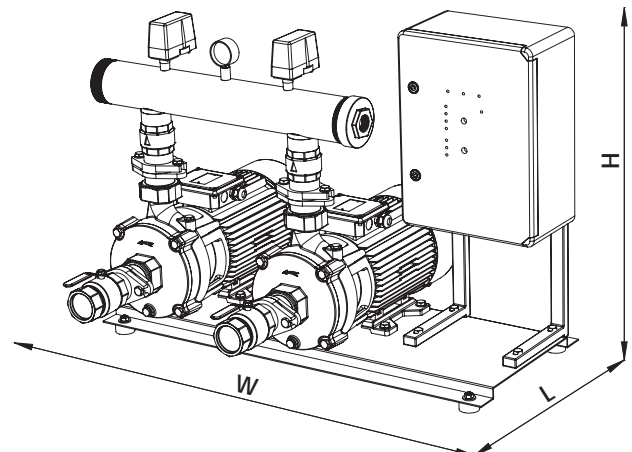
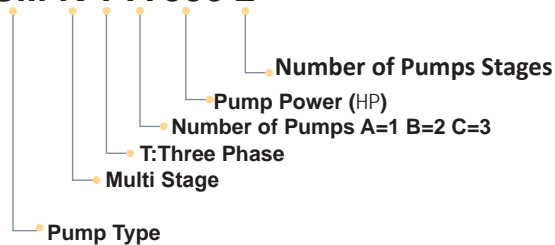
MOTOR					PUMP									
TYPE	KW	V	Hz	RPM	Hm	W mm	L mm	H mm	MANIFOLD		MAX FLOW	CAPACITY	NUMBER	NUMBER
									INPUT	OUTPUT	m ³ /h	mss	OF FLATS	OF FLOORS
SMKTA550	1x4	380	50	2900	78	500	550	600	1 ^{1/2}	1 ^{1/2}	10-15	70-45	45-70	14-7
SMKTB550	2x4	380	50	2900	78	950	790	700	1 ^{1/2}	2 ^{1/2}	20-30	70-45	90-140	14-7
SMKTC550	3x4	380	50	2900	78	1310	790	700	1 ^{1/2}	3	30-45	70-45	135-210	14-7
SMKTA750	1x5.5	380	50	2900	87	500	550	600	1 ^{1/2}	1 ^{1/2}	10-15	80-55	45-70	17-10
SMKTB750	2x5.5	380	50	2900	87	950	790	700	1 ^{1/2}	2 ^{1/2}	20-30	80-55	90-140	17-10
SMKTC750	3x5.5	380	50	2900	87	1310	790	700	1 ^{1/2}	3	30-45	80-55	135-210	17-10
SMKTA550/2	1x4	380	50	2900	58	500	550	600	2	2	10-25	55-30	45-115	10-3
SMKTB550/2	2x4	380	50	2900	58	950	850	700	2	2 ^{1/2}	20-50	55-30	90-230	10-3
SMKTC550/2	3x4	380	50	2900	58	1310	850	700	2	3	30-75	55-30	135-345	10-3
SMKTA750/2	1x5.5	380	50	2900	68	500	550	600	2	2	10-25	60-40	45-115	11-6
SMKTB750/2	2x5.5	380	50	2900	68	950	850	700	2	2 ^{1/2}	20-50	60-40	90-230	11-6
SMKTC750/2	3x5.5	380	50	2900	68	1310	850	700	2	3	30-75	60-40	135-345	11-6

Dimensions are approximately, may be change.

Note: Our boosters are manufactured as classic type with pressure switch.

Please consult our company for frequency controlled models.

SM K T A 550 2



DEFINITION

These boosters are systems that enable water to reach comfortably in cases where the city mains water is insufficient, in high rise buildings, in residential units with tanks for water interruption and they operate completely automatically according to their intended use.

This type of boosters are self priming (4 meters) systems.

It is suitable for use in hygienic environments because its all surfaces in contact with water are completely stainless steel.

These pumps are manufactured at frequencies of 50 Hz and 60 Hz.

USAGE AREAS

These boosters are used in residential areas, industrial facilities, apartments, villas, schools, hospitals, factories and public housing, hotels, irrigation systems, treatment plants, heating and cooling systems.

SMINOX12A220/2



SMINOX12B220/2



SMINOX12C220/2

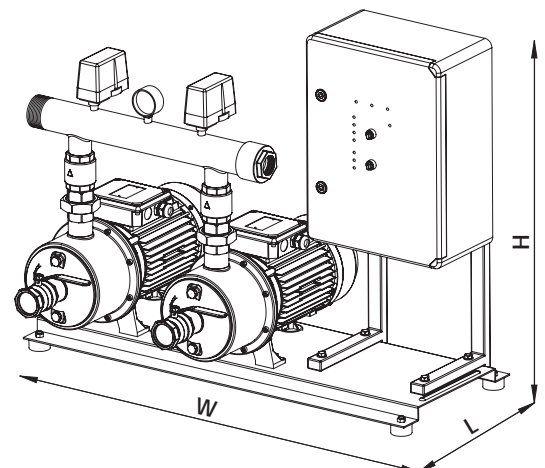
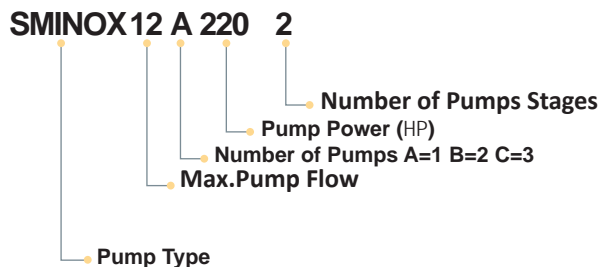


TYPE	MOTOR				PUMP										
	KW	V		Hz	RPM	Hm	W	L	H	MANIFOLD		MAX FLOW	CAPACITY	NUMBER OF FLATS	NUMBER OF FLOORS
		MONO	TRI				mm	mm	mm	INPUT	OUTPUT	m ³ /h	mss		
SMINOX12A220/2	1x1.6	220	380	50	2900	52	480	520	495	1 1/4"	1 1/4"	9 - 3	27 - 45	40 - 14	2 - 7
SMINOX12B220/2	2x1.6	220	380	50	2900	52	850	520	700	1 1/4"	2"	18 - 6	27 - 45	80 - 28	2 - 7
SMINOX12C220/2	3x1.6	220	380	50	2900	52	1155	520	700	1 1/4"	2"	27 - 9	27 - 45	120 - 42	2 - 7
SMINOX12A300/3T	1x2.2	-	380	50	2900	72	480	520	495	1 1/4"	1 1/4"	9 - 3	35 - 60	40 - 14	4 - 11
SMINOX12B300/3T	2x2.2	-	380	50	2900	72	850	520	700	1 1/4"	2"	18 - 6	35 - 60	80 - 28	4 - 11
SMINOX12C300/3T	3x2.2	-	380	50	2900	72	1155	520	700	1 1/4"	2"	27 - 9	35 - 60	120 - 42	4 - 11

Dimensions are approximately, may be change.

Note: Our boosters are manufactured as classic type with pressure switch.

Please consult our company for frequency controlled models.



SHTP8-400/12

Shaft Housing



DEFINITION

These pumps with a complete stainless steel body and stainless steel impeller, vertical shaft and multi-stage are silent operation, inline (can be connected to a straight pipe) and suitable for pumping liquid between -15°C + 120°C pumps. It is designed for use in pressurizing low viscosity liquids. It is suitable for use in hygienic environments because it's all surfaces in contact with water are completely stainless steel. These pumps are manufactured at frequencies of 50 Hz and 60 Hz.

USAGE AREAS

These boosters are used in residential areas, industrial facilities, in irrigation applications, for Booster purposes in villas, summer houses and high rise buildings, industries, hospitals, hotels, public housing, holiday villages, shopping malls, social facilities, fire systems, garden irrigation, heating and cooling systems.

PUMP MATERIAL PROPERTIES

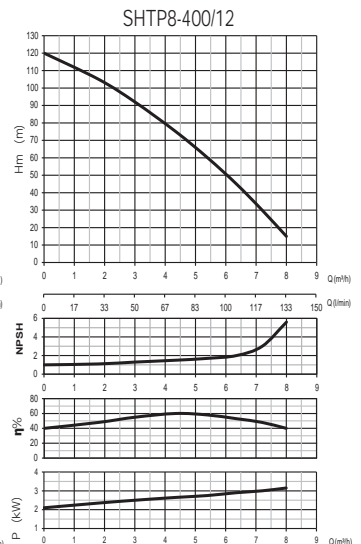
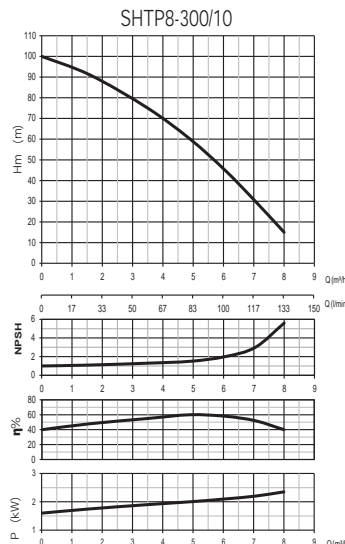
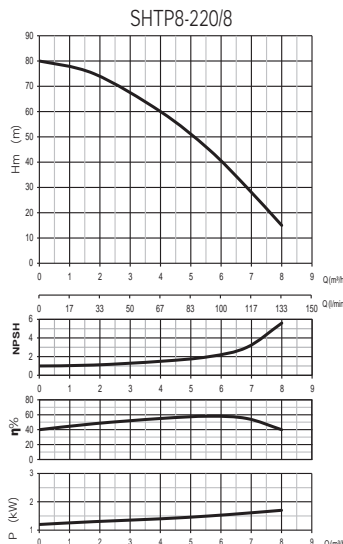
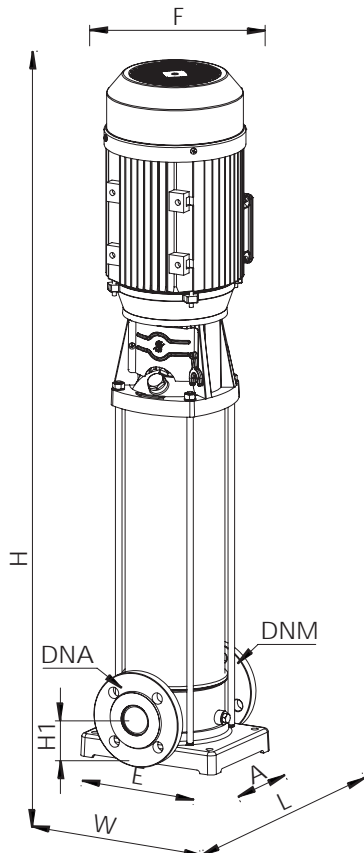
PUMP BODY	AISI 304 INOX
IMPELLER	AISI 304 INOX
STAGED DIFFUSER	AISI 304 INOX
SHAFT	AISI 304 INOX
FLOW RATE (max.)	8 m ³ /hour
TOTAL HEAD (max.)	120 m
LIQUID PUMPING TEMPERATURE	0-45°C - 120°C
PROTECTION CLASS	IP 54
INSULATION	C.I.F
SEAL	CARTRIDGE TYPE
PUMP DURABILITY PRESSURE (Pmax)	16 bar

TECHNICAL SPECIFICATIONS

MOTOR							PUMP											
TYPE	KW	HP	V	Hz	A	RPM	Hm	Suc. m	Input Output	KG	m ³ /h	1	3	5	8	10	12	16
SHTP8-220/8	1.6	2.2	380	50	4.2	2900	80	-	1 1/2 1 1/2	41.5	mss	78	68	50	15	-	-	-
SHTP8-300/10	2.2	3	380	50	5.2	2900	100	-	1 1/2 1 1/2	45		95	80	60	15	-	-	-
SHTP8-400/12	3	4	380	50	6.2	2900	120	-	1 1/2 1 1/2	48		110	90	65	20	-	-	-

DIMENSIONS

Type	W	L	H	H1	A	E	F	DNA	DNM
SHTP8-220/8	240	242	814	80	160	220	211	G 1 1/2	G 1 1/2
SHTP8-300/10	240	242	867	80	160	220	211	G 1 1/2	G 1 1/2
SHTP8-400/12	240	242	928	80	160	220	211	G 1 1/2	G 1 1/2



DEFINITION

These boosters are systems that enable water to reach comfortably in cases where the city mains water is insufficient, in high rise buildings, in residential units with for water interruption and they operate completely automatically according to their intended use.

These pumps are manufactured at frequencies of 50 Hz and 60 Hz.

USAGE AREAS

These boosters are used in residential areas, industrial facilities, apartments, villas, schools, hospitals, factories and public housing, hotels, irrigation systems, treatment plants, heating and cooling systems.

SHTP8A



SHTP8B



SHTP8C



MOTOR					PUMP								
TYPE	KW	V	Hz	RPM	W mm	L mm	H mm	MANIFOLD		MAX FLOW m ³ /h	CAPACITY mss	NUMBER OF FLATS	NUMBER OF FLOORS
								INPUT	OUTPUT				
SHTP8A-220/8	1 x 1.6	380	50	2900	360	405	867	1 1/2"	1 1/2"	4 - 5	60 - 50	18 - 24	11 - 8
SHTP8B-220/8	2 x 1.6	380	50	2900	1000	750	867	2"	2"	8 - 10	60 - 50	36 - 48	11 - 8
SHTP8C-220/8	3 x 1.6	380	50	2900	1300	750	867	2"	2"	12 - 15	60 - 50	54 - 72	11 - 8
SHTP8A-300/10	1 x 2.2	380	50	2900	360	405	927	1 1/2"	1 1/2"	4 - 5	70 - 60	18 - 24	14 - 11
SHTP8B-300/10	2 x 2.2	380	50	2900	1000	750	927	2"	2"	8 - 10	70 - 60	36 - 48	14 - 11
SHTP8C-300/10	3 x 2.2	380	50	2900	1300	750	927	2"	2"	12 - 15	70 - 60	54 - 72	14 - 11
SHTP8A-400/12	1 x 3	380	50	2900	360	405	987	1 1/2"	1 1/2"	4 - 5	80 - 65	18 - 24	17 - 13
SHTP8B-400/12	2 x 3	380	50	2900	1000	750	987	2"	2"	8 - 10	80 - 65	36 - 48	17 - 13
SHTP8C-400/12	3 x 3	380	50	2900	1300	750	987	2"	2"	12 - 15	80 - 65	54 - 72	17 - 13

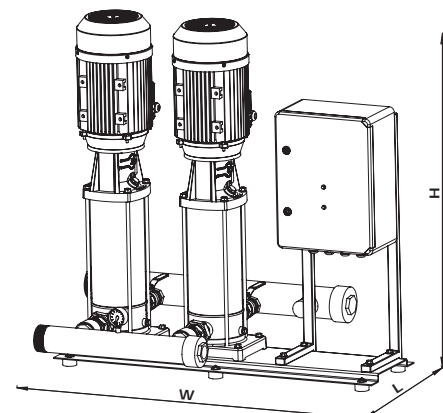
Dimensions are approximately, may be change.

Note: Our boosters are manufactured as classic type with pressure switch.

Please consult our company for frequency controlled models.

SHTP8A30010

- Number of Pumps Stages
- Pump Power (220=2.2HP-300=3.0HP)
- Number of Pumps A=1B=2 C=3
- Max. Pump Flow
- Stainless
- M: Single Phase T: Three Phase
- Pump Type



SHTP16-750/12

Shaft Housing



DEFINITION

These pumps with a complete stainless steel body and stainless steel impeller, vertical shaft and multi-stage are silent operation, inline (can be connected to a straight pipe) and suitable for pumping liquid between $-15^{\circ}\text{C} + 120^{\circ}\text{C}$ pumps. It is designed for use in pressurizing low viscosity liquids. It is suitable for use in hygienic environments because it's all surfaces in contact with water are completely stainless steel. These pumps are manufactured at frequencies of 50 Hz and 60 Hz.

USAGE AREAS

These boosters are used in residential areas, industrial facilities, in irrigation applications, for Booster purposes in villas, summer houses and high rise buildings, industries, hospitals, hotels, public housing, holiday villages, shopping malls, social facilities, fire systems, garden irrigation, heating and cooling systems.

PUMP MATERIAL PROPERTIES

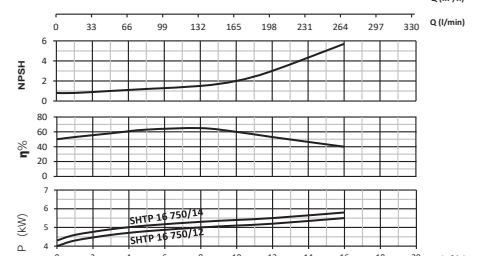
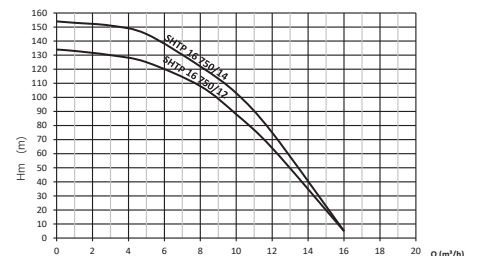
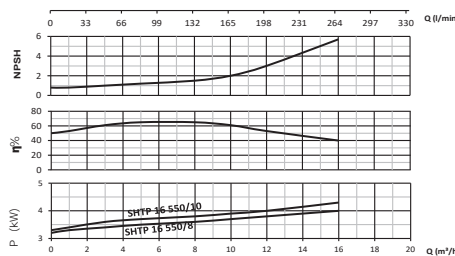
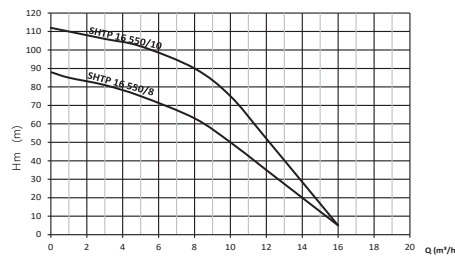
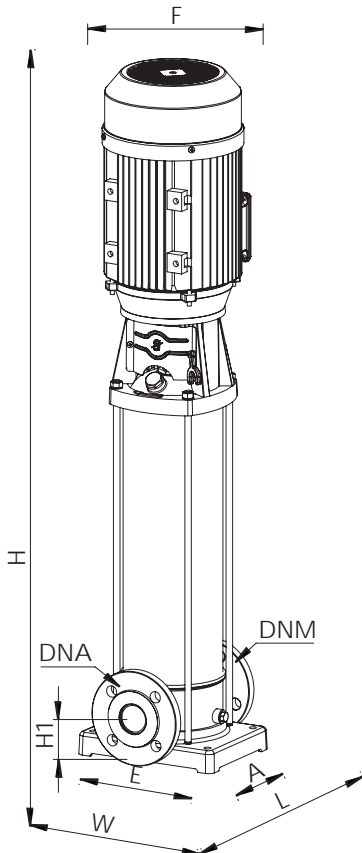
PUMP BODY	AISI 304 INOX
IMPELLER	AISI 304 INOX
STAGED DIFFUSER	AISI 304 INOX
SHAFT	AISI 304 INOX
FLOW RATE (max.)	16 m ³ /hour
TOTAL HEAD (max.)	155 m
LIQUID PUMPING TEMPERATURE	0-45°C - 120°C
PROTECTION CLASS	IP 54
INSULATION	CI.F
SEAL	CARTRIDGE TYPE
PUMP DURABILITY PRESSURE (Pmax)	16 bar

TECHNICAL SPECIFICATIONS

MOTOR							PUMP											
TYPE	KW	HP	V	Hz	A	RPM	Hm	Suc. m	Input Output	KG	m ³ /h	1	3	5	8	10	12	16
SHTP16-550/8	4	5.5	380	50	6	2900	88	-	1 1/2 1 1/2	54	mss	85	81	75	63	50	35	5
SHTP16-550/10	4	5.5	380	50	7.7	2900	112	-	1 1/2 1 1/2	56		110	106	102	90	75	52	5
SHTP16-750/12	5.5	7.5	380	50	9.5	2900	134	-	1 1/2 1 1/2	61.5		133	130	125	108	88	64	5
SHTP16-750/14	5.5	7.5	380	50	11.2	2900	155	-	1 1/2 1 1/2	63.5		153	150	145	122	103	75	5

DIMENSIONS

Type	W	L	H	H1	A	E	F	DNA	DNM
SHTP16-550/8	240	242	899	80	160	220	211	G 1 1/2	G 1 1/2
SHTP16-550/10	240	242	959	80	160	220	211	G 1 1/2	G 1 1/2
SHTP16-750/12	240	242	1020	80	160	220	211	G 1 1/2	G 1 1/2
SHTP16-750/14	240	242	1081	80	160	220	211	G 1 1/2	G 1 1/2



DEFINITION

These boosters are systems that enable water to reach comfortably in cases where the city mains water is insufficient, in high rise buildings, in residential units with tanks for water interruption and they operate completely automatically according to their intended use.

These pumps are manufactured at frequencies of 50 Hz and 60 Hz.

USAGE AREAS

These boosters are used in residential areas, industrial facilities, apartments, villas, schools, hospitals, factories and public housing, hotels, irrigation systems, treatment plants, heating and cooling systems.

SHTP16A



SHTP16B



SHTP16C



MOTOR					PUMP								
TYPE	KW	V	Hz	RPM	W mm	L mm	H mm	MANIFOLD		MAX FLOW	CAPACITY	NUMBER	NUMBER
								INPUT	OUTPUT	m ³ /h	mss	OF FLATS	OF FLOORS
SHTP16A-550/8	1 x 4	380	50	2900	360	405	960	1 1/2"	1 1/2"	2.5 - 10	60 - 45	24 - 48	11 - 7
SHTP16B-550/8	2 x 4	380	50	2900	1000	800	960	3"	2 1/2"	5 - 20	60 - 45	48 - 96	11 - 7
SHTP16C-550/8	3 x 4	380	50	2900	1300	800	960	3"	2 1/2"	7.5 - 30	60 - 45	72 - 144	11 - 7
SHTP16A-550/10	1 x 4	380	50	2900	360	405	1020	1 1/2"	1 1/2"	5 - 10	100 - 75	24 - 48	23 - 15
SHTP16B-550/10	2 x 4	380	50	2900	1000	800	1020	3"	2 1/2"	10 - 20	100 - 75	48 - 96	23 - 15
SHTP16C-550/10	3 x 4	380	50	2900	1300	800	1020	3"	2 1/2"	15 - 30	100 - 75	72 - 144	23 - 15
SHTP16A-750/12	1 x 5.5	380	50	2900	360	405	1081	1 1/2"	1 1/2"	6 - 10	120 - 85	28 - 48	28 - 19
SHTP16B-750/12	2 x 5.5	380	50	2900	1000	800	1081	3"	2 1/2"	12 - 20	120 - 85	56 - 96	28 - 19
SHTP16C-750/12	3 x 5.5	380	50	2900	1300	800	1081	3"	2 1/2"	18 - 30	120 - 85	85 - 144	28 - 19
SHTP16A-750/14	1 x 5.5	380	50	2900	360	405	1042	1 1/2"	1 1/2"	7 - 10	130 - 95	32 - 48	32 - 22
SHTP16B-750/14	2 x 5.5	380	50	2900	1000	800	1042	3"	2 1/2"	14 - 20	130 - 95	64 - 96	32 - 22
SHTP16C-750/14	3 x 5.5	380	50	2900	1300	800	1042	3"	2 1/2"	21 - 30	130 - 95	96 - 144	32 - 22

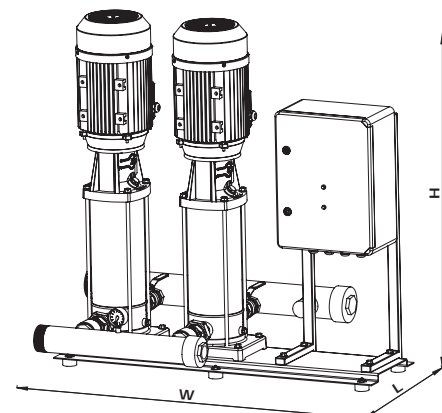
Dimensions are approximately, may be change.

Note: Our boosters are manufactured as classic type with pressure switch.

Please consult our company for frequency controlled models.

SH T P16 A 550 8

- Number of Pumps Stages
- Pump Power (220=2.2HP-300=3.0HP)
- Number of Pumps A=1B=2 C=3
- Max. Pump Flow
- Stainless
- M: Single Phase T: Three Phase
- Pump Type



SHTPD8-400/12

Shaft Housing



DEFINITION

These pumps with a stainless steel body and stainless steel impeller, vertical shaft and multi-stage are silent operation, inline (can be connected to a straight pipe) and suitable for pumping liquid between 0°C + 120°C pumps. It is designed for use in pressurizing low viscosity liquids.

It is suitable for use in hygienic environments because it's all surfaces in contact with water are completely stainless steel.

These pumps are manufactured at frequencies of 50 Hz and 60 Hz.

USAGE AREAS

These boosters are used in residential areas, industrial facilities, in irrigation applications, for Booster purposes in villas, summer houses and high rise buildings, industries, hospitals, hotels, public housing, holiday villages, shopping malls, social facilities, fire systems, garden irrigation, heating and cooling systems.

PUMP MATERIAL PROPERTIES

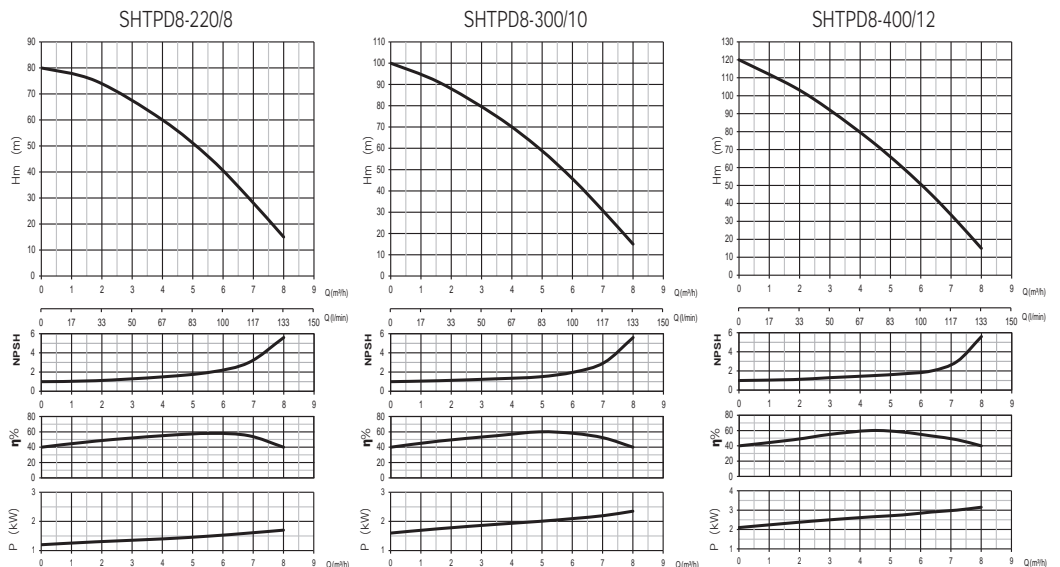
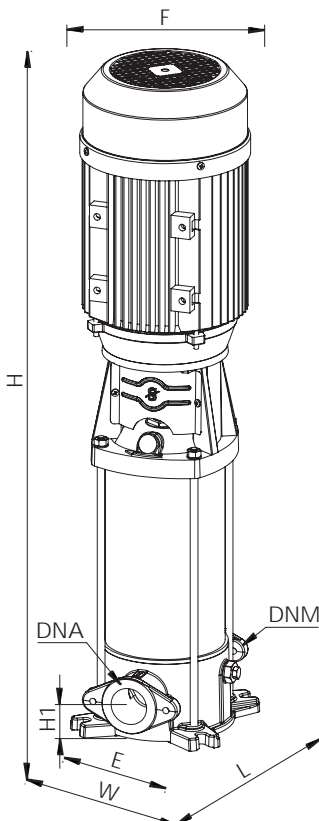
PUMP BODY	GG25 CAST IRON
IMPELLER	AISI 304 INOX
STAGED DIFFUSER	AISI 304 INOX
SHAFT	AISI 304 INOX
FLOW RATE (max.)	8 m ³ /hour
TOTAL HEAD (max.)	120 m
LIQUID PUMPING TEMPERATURE	0-45°C - 120°C
PROTECTION CLASS	IP 54
INSULATION	CI.F
SEAL	CARTRIDGE TYPE
PUMP DURABILITY PRESSURE (Pmax)	16 bar

TECHNICAL SPECIFICATIONS

MOTOR								PUMP										
TYPE	KW	HP	V	Hz	A	RPM	Hm	Suc. m	Input Output	KG	m ³ /h	1	3	5	8	10	12	16
SHTPD8-220/8	1.6	2.2	380	50	4.2	2900	80	-	1 1/2	39.5	mss	78	68	50	15	-	-	-
SHTPD8-300/10	2.2	3	380	50	5.2	2900	100	-	1 1/2	43		95	80	60	15	-	-	-
SHTPD8-400/12	3	4	380	50	6.2	2900	120	-	1 1/2	46		110	90	65	15	-	-	-

DIMENSIONS

Type	W	L	H	H1	E	F	DNA	DNM
SHTPD8-220/8	205	264	807	62	180	212	G 1 1/2	G 1 1/2
SHTPD8-300/10	205	264	867	62	180	227	G 1 1/2	G 1 1/2
SHTPD8-400/12	205	264	928	62	180	248	G 1 1/2	G 1 1/2



DEFINITION

These boosters are systems that enable water to reach comfortably in cases where the city mains water is insufficient, in high rise buildings, in residential units with tanks for water interruption and they operate completely automatically according to their intended use.

These pumps are manufactured at frequencies of 50 Hz and 60 Hz.

USAGE AREAS

These boosters are used in residential areas, industrial facilities, apartments, villas, schools, hospitals, factories and public housing, hotels, irrigation systems, treatment plants, heating and cooling systems.

SHTPD8A



SHTPD8B



SHTPD8C



MOTOR					PUMP								
TYPE	KW	V	Hz	RPM	W mm	L mm	H mm	MANIFOLD		MAX FLOW	CAPACITY	NUMBER OF FLATS	NUMBER OF FLOORS
								INPUT	OUTPUT	m ³ /h	mss		
SHTPD8A-220/8	1 x 1.6	380	50	2900	360	405	867	1 1/2"	1 1/2"	4 - 5	60 - 50	18 - 24	11 - 8
SHTPD8B-220/8	2 x 1.6	380	50	2900	1000	750	867	2"	2"	8 - 10	60 - 50	36 - 48	11 - 8
SHTPD8C-220/8	3 x 1.6	380	50	2900	1300	750	867	2"	2"	12 - 15	60 - 50	54 - 72	11 - 8
SHTPD8A-300/10	1 x 2.2	380	50	2900	360	405	927	1 1/2"	1 1/2"	4 - 5	70 - 60	18 - 24	14 - 11
SHTPD8B-300/10	2 x 2.2	380	50	2900	1000	750	927	2"	2"	8 - 10	70 - 60	36 - 48	14 - 11
SHTPD8C-300/10	3 x 2.2	380	50	2900	1300	750	927	2"	2"	12 - 15	70 - 60	54 - 72	14 - 11
SHTPD8A-400/12	1 x 3	380	50	2900	360	405	987	1 1/2"	1 1/2"	4 - 5	80 - 65	18 - 24	17 - 13
SHTPD8B-400/12	2 x 3	380	50	2900	1000	750	987	2"	2"	8 - 10	80 - 65	36 - 48	17 - 13
SHTPD8C-400/12	3 x 3	380	50	2900	1300	750	987	2"	2"	12 - 15	80 - 65	54 - 72	17 - 13

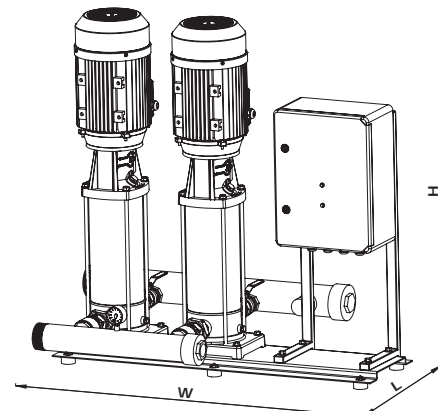
Dimensions are approximately, may be change.

Note: Our boosters are manufactured as classic type with pressure switch.

Please consult our company for frequency controlled models.

SH T P D 8 A 300 10

- Number of Pumps Stages
- Pump Power (220=2.2HP-300=3.0HP)
- Number of Pumps A=1B=2 C=3
- Max. Pump Flow
- GG25 Pump Housing
- Stainless
- M: Single Phase T: Three Phase
- Pump Type



SHTPD16-750/12

Shaft Housing



DEFINITION

These pumps with a stainless steel body and stainless steel impeller, vertical shaft and multi-stage are silent operation, inline (can be connected to a straight pipe) and suitable for pumping liquid between 0°C + 120°C pumps. It is designed for use in pressurizing low viscosity liquids. It is suitable for use in hygienic environments because it's all surfaces in contact with water are completely stainless steel. These pumps are manufactured at frequencies of 50 Hz and 60 Hz.

USAGE AREAS

These boosters are used in residential areas, industrial facilities, in irrigation applications, for Booster purposes in villas, summer houses and high rise buildings, industries, hospitals, hotels, public housing, holiday villages, shopping malls, social facilities, fire systems, garden irrigation, heating and cooling systems.

PUMP MATERIAL PROPERTIES

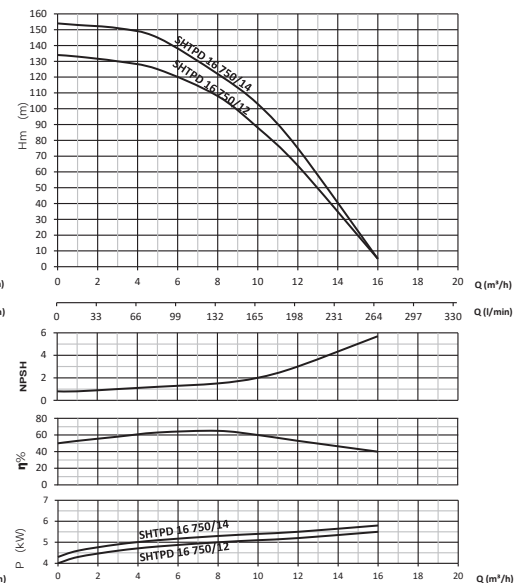
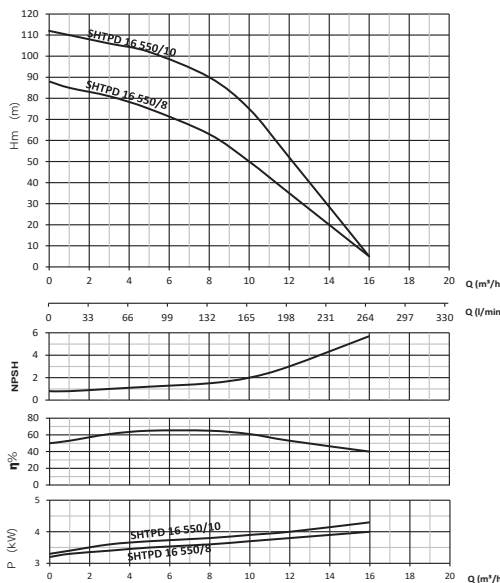
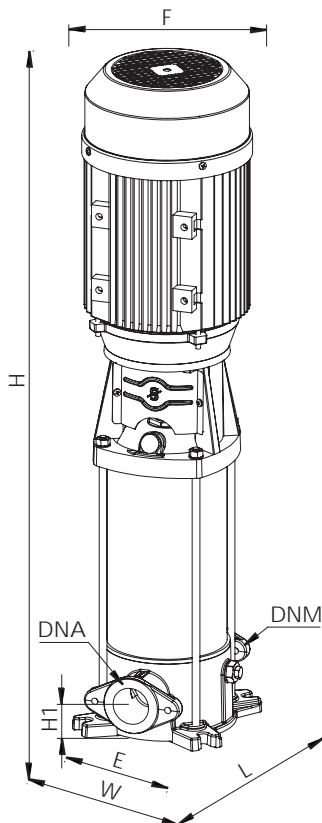
PUMP BODY	GG25 CAST IRON
IMPELLER	AISI 304 INOX
STAGED DIFFUSER	AISI 304 INOX
SHAFT	AISI 304 INOX
FLOW RATE (max.)	16 m ³ /hour
TOTAL HEAD (max.)	155 m
LIQUID PUMPING TEMPERATURE	0-45°C - 120°C
PROTECTION CLASS	IP 54
INSULATION	C.I.F
SEAL	CARTRIDGE TYPE
PUMP DURABILITY PRESSURE (Pmax)	16 bar

TECHNICAL SPECIFICATIONS

MOTOR								PUMP											
TYPE	KW	HP	V	Hz	A	RPM	Hm	Suc. m	Input	Output	KG	m ³ /h	1	3	5	8	10	12	16
SHTPD16-550/8	4	5.5	380	50	6	2900	88	-	1 1/2	1 1/2	54	mss	85	81	75	63	50	35	5
SHTPD16-550/10	4	5.5	380	50	7.7	2900	112	-	1 1/2	1 1/2	56		110	106	102	90	75	52	5
SHTPD16-750/12	5.5	7.5	380	50	9.5	2900	134	-	1 1/2	1 1/2	61.5		133	130	125	108	88	64	5
SHTPD16-750/14	5.5	7.5	380	50	11.2	2900	155	-	1 1/2	1 1/2	63.5		153	150	145	122	103	75	5

DIMENSIONS

Type	W	L	H	H1	E	F	DNA	DNM
SHTPD16-550/8	205	264	899	62	180	230	G 1 ^{1/2}	G 1 ^{1/2}
SHTPD16-550/10	205	264	959	62	180	235	G 1 ^{1/2}	G 1 ^{1/2}
SHTPD16-750/12	205	264	1020	62	180	255	G 1 ^{1/2}	G 1 ^{1/2}
SHTPD16-750/14	205	264	1081	62	180	260	G 1 ^{1/2}	G 1 ^{1/2}



DEFINITION

These boosters are systems that enable water to reach comfortably in cases where the city mains water is insufficient, in high rise buildings, in residential units with tanks for water interruption and they operate completely automatically according to their intended use.

These pumps are manufactured at frequencies of 50 Hz and 60 Hz.

USAGE AREAS

These boosters are used in residential areas, industrial facilities, apartments, villas, schools, hospitals, factories and public housing, hotels, irrigation systems, treatment plants, heating and cooling systems.

SHTPD16A



SHTPD16B



SHTPD16C



MOTOR					PUMP								
TYPE	KW	V	Hz	RPM	W mm	L mm	H mm	MANIFOLD		MAX FLOW m ³ /h	CAPACITY mss	NUMBER OF FLATS	NUMBER OF FLOORS
								INPUT	OUTPUT				
SHTPD16A-550/8	1 x 4	380	50	2900	360	405	960	1 1/2	1 1/2	8 - 10	60 - 45	35 - 48	11 - 7
SHTPD16B-550/8	2 x 4	380	50	2900	1000	800	960	3"	2 1/2	16 - 20	60 - 45	70 - 96	11 - 7
SHTPD16C-550/8	3 x 4	380	50	2900	1300	800	960	3"	2 1/2	24 - 30	60 - 45	105 - 44	11 - 7
SHTPD16A-550/10	1 x 4	380	50	2900	360	405	1020	1 1/2	1 1/2	5 - 10	100 - 75	24 - 48	23 - 15
SHTPD16B-550/10	2 x 4	380	50	2900	1000	800	1020	3"	2 1/2	10 - 20	100 - 75	48 - 96	23 - 15
SHTPD16C-550/10	3 x 4	380	50	2900	1300	800	1020	3"	2 1/2	15 - 30	100 - 75	72 - 144	23 - 15
SHTPD16A-750/12	1 x 5.5	380	50	2900	360	405	1081	1 1/2	1 1/2	6 - 10	120 - 85	28 - 48	28 - 19
SHTPD16B-750/12	2 x 5.5	380	50	2900	1000	800	1081	3"	2 1/2	12 - 20	120 - 85	56 - 96	28 - 19
SHTPD16C-750/12	3 x 5.5	380	50	2900	1300	800	1081	3"	2 1/2	18 - 30	120 - 85	85 - 144	28 - 19
SHTPD16A-750/14	1 x 5.5	380	50	2900	360	405	1042	1 1/2	1 1/2	7 - 10	130 - 95	32 - 48	32 - 22
SHTPD16B-750/14	2 x 5.5	380	50	2900	1000	800	1042	3"	2 1/2	14 - 20	130 - 95	64 - 96	32 - 22
SHTPD16C-750/14	3 x 5.5	380	50	2900	1300	800	1042	3"	2 1/2	21 - 30	130 - 95	96 - 144	32 - 22

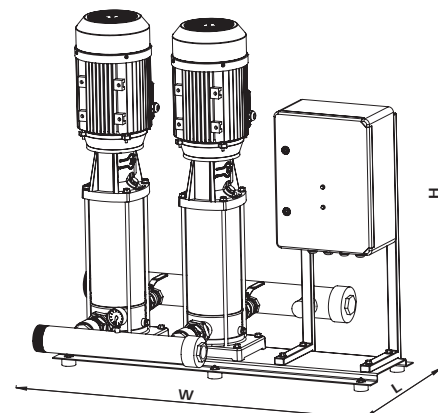
Dimensions are approximately, may be change.

Note: Our boosters are manufactured as classic type with pressure switch.

Please consult our company for frequency controlled models.

SH T P D 16 A 300 10

- Number of Pumps Stages
- Pump Power (220=2.2HP-300=3.0HP)
- Number of Pumps A=1B=2 C=3
- Max. Pump Flow
- GG25 Pump Housing
- Stainless
- M: Single Phase T: Three Phase
- Pump Type



SHM6 - SHT6

Shaft Housing



DEFINITION

These pumps with a stainless steel body, vertical shaft and multi-stage are high altitude, silent operation and non self priming pumps. It is designed for use in pressurizing low viscosity liquids. The pump saves space due to its vertical structure.

These pumps are manufactured at frequencies of 50 Hz and 60 Hz.

USAGE AREAS

These pumps are used in residential areas, industrial facilities, irrigation applications requiring pressure, for Booster purposes in villas, summer houses and high rise buildings, in industries, hospitals, hotels, public housing, holiday villages, shopping malls, social facilities, fire systems, garden irrigation, heating and cooling systems.

PUMP MATERIAL PROPERTIES

PUMP BODY	AISI 304 INOX
IMPELLER	NORYL
SHAFT	AISI 420
FLOW RATE (max.)	6 m ³ /hour
TOTAL HEAD (max.)	92 m
LIQUID PUMPING TEMPERATURE	0-45°C
PROTECTION CLASS	IP 54
INSULATION	C.I.F
SEAL	CERAMIC / CARBON
PUMP DURABILITY PRESSURE (Pmax)	12 bar

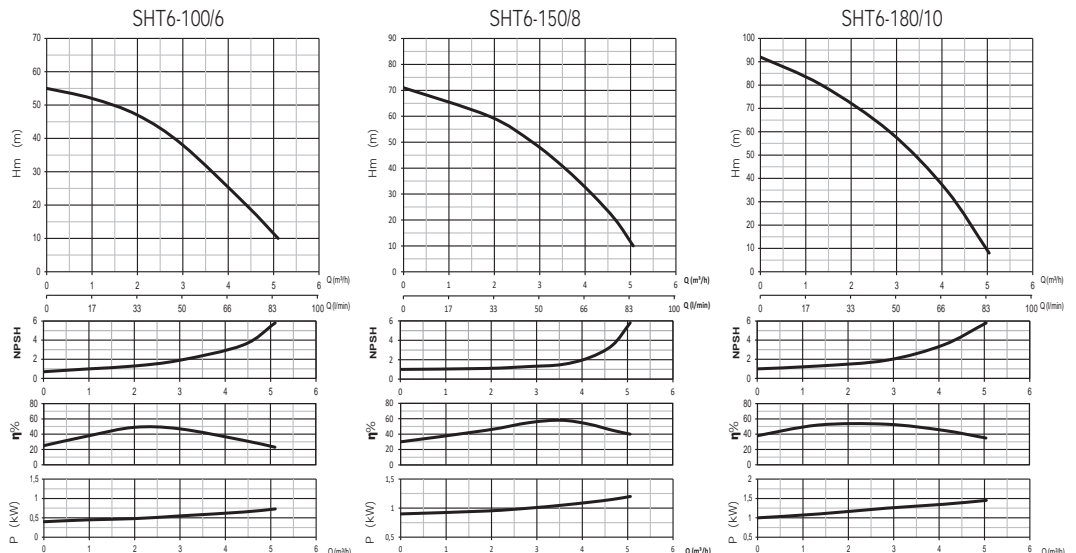
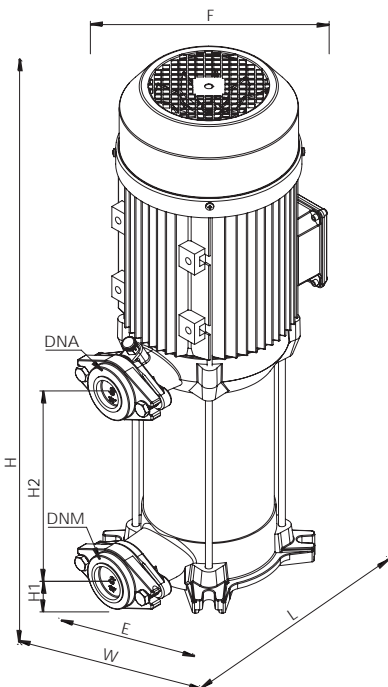
SHM6-100/6 AND SHM6-150/8 MODELS HAVE THERMAL PROTECTION AGAINST OVERLOADS.

TECHNICAL SPECIFICATIONS

MOTOR										PUMP										
TYPE	KW	HP	V		Hz		A		RPM	CAPACITOR uf	Hm	Suc. m	Input Output	KG	m ³ /h	1	2	3	4	5
			SINGLE	THREE	SINGLE	THREE	SINGLE	THREE												
SHM6-100/6 SHT6-100/6	0.75	1	220	380	50	5	2.4	2900	20	450	55	-	1 1/4"	17.5	mss	52	46	38	25	10
SHM6-150/8 SHT6-150/8	1.1	1.5	220	380	50	5.5	2.4	2900	25	450	72	-	1 1/4"	19		65	60	48	32	10
SHT6-180/10	1.35	1.8	-	380	50	-	3.2	2900	-	-	92	-	1 1/4"	20		83	72	57	37	10

DIMENSIONS

Type	W	L	H	H1	H2	E	F	DNM	DNA
SHM6-100/6 SHT6-100/6	157	215	471	33	228	137	166	G 1 1/4"	G 1"
SHM6-150/8 SHT6-150/8	157	215	471	33	279	137	166	G 1 1/4"	G 1"
SHT6-180/10	157	215	550	33	330	137	166	G 1 1/4"	G 1"



DEFINITION

Booster is systems that allow water to reach comfortably and the way of operation is completely automatic according to the intended use in cases where the city mains is insufficient, in high rise buildings, in residential units with tanks for water interruption.

These pumps are manufactured at frequencies of 50 Hz and 60 Hz.

USAGE AREAS

These booster sets are used in residential areas, industrial facilities, apartments, villas, schools, hospitals, factories and public housing, hotels, irrigation systems, treatment plants, heating and cooling systems.

SHT6 A



SHT6 B



SHT6 C



TYPE	MOTOR				PUMP									
	KW	V		Hz	RPM	W mm	L mm	H mm	MANIFOLD		MAX FLOW m ³ /h	CAPACITY mss	NUMBER OF FLATS	NUMBER OF FLOORS
		SINGLE	THREE						INPUT	OUTPUT				
SHT6A-100/6	1 x 0.75	220	380	50	2900	340	290	570	1 ^{1/4}	1"	2.5 - 4.0	42 - 25	12 - 15	3 - 6
SHT6B-100/6	2 x 0.75	220	380	50	2900	940	465	820	2"	2"	5.0 - 8.0	42 - 25	24 - 30	3 - 6
SHT6C-100/6	3 x 0.75	220	380	50	2900	1190	465	820	2"	2"	7.5 - 12	42 - 25	36 - 45	3 - 6
SHT6A-150/8	1 x 1.1	220	380	50	2900	340	290	570	1 ^{1/4}	1"	2.5 - 4.2	50 - 30	12 - 20	9 - 4
SHT6B-150/8	2 x 1.1	220	380	50	2900	940	465	820	2"	2"	5.0 - 8.4	50 - 30	24 - 40	9 - 4
SHT6C-150/8	3 x 1.1	220	380	50	2900	1190	465	820	2"	2"	7.5 - 12.6	50 - 30	35 - 60	9 - 4
SHT6A-180/10	1 x 1.35	-	380	50	2900	340	290	610	1 ^{1/4}	1"	2.6 - 3.4	60 - 50	12 - 16	12 - 8
SHT6B-180/10	2 x 1.35	-	380	50	2900	940	465	820	2"	2"	5.2 - 6.8	60 - 50	24 - 32	12 - 8
SHT6C-180/10	3 x 1.35	-	380	50	2900	1190	465	820	2"	2"	7.6 - 10.2	60 - 50	36 - 48	12 - 8

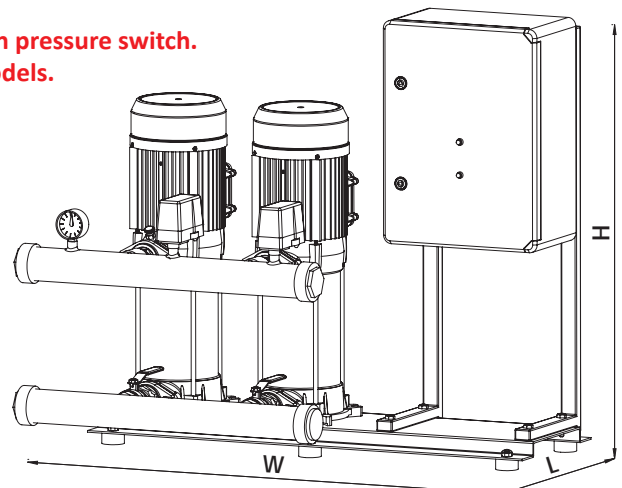
Dimensions are approximately, may be change.

Note: Our boosters are manufactured as classic type with pressure switch.

Please consult our company for frequency controlled models.

SH M 6 A 150 8

- Number of Pump Stages
- Pump Power (HP)
- Number of Pumps A=1 B=2 C=3
- Max. Pump Flow
- M: Single Phase T: Three Phase
- Pump Type



SHM8 - SHT8

Shaft Housing



DEFINITION

These pumps with a stainless steel body, vertical shaft and multi-stage are high altitude, silent operation and non self priming pumps. It is designed for use in pressurizing low viscosity liquids. The pump saves space due to its vertical structure.

These pumps are manufactured at frequencies of 50 Hz and 60 Hz.

USAGE AREAS

These pumps are used in residential areas, industrial facilities, irrigation applications requiring pressure, for Booster purposes in villas, summer houses and high rise buildings, in industries, hospitals, hotels, public housing, holiday villages, shopping malls, social facilities, fire systems, garden irrigation, heating and cooling systems.

PUMP MATERIAL PROPERTIES

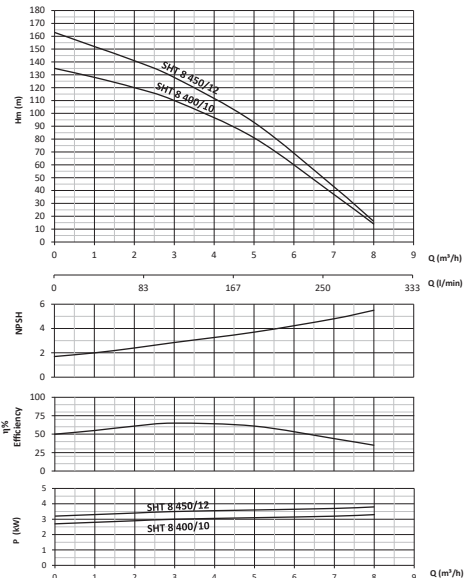
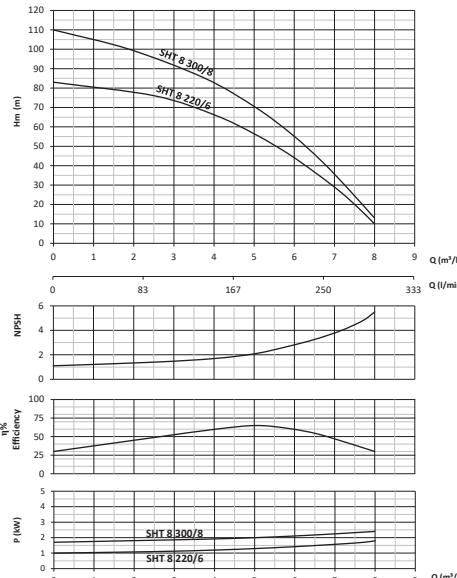
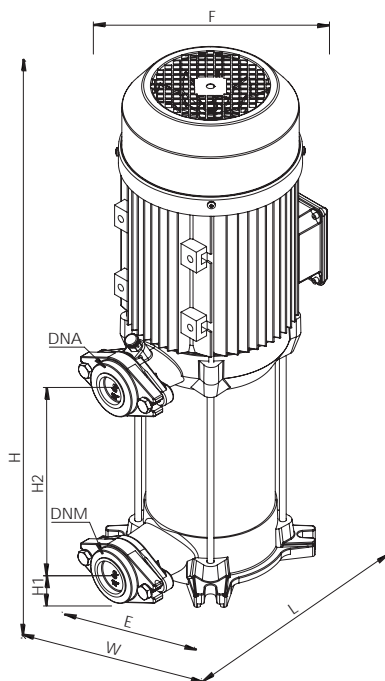
PUMP BODY	AISI 304 INOX
IMPELLER	NORYL
SHAFT	AISI 420
FLOW RATE (max.)	8 m ³ /hour
TOTAL HEAD (max.)	135 m
LIQUID PUMPING TEMPERATURE	0-45°C
PROTECTION CLASS	IP 54
INSULATION	Cl.F
SEAL	CERAMIC / CARBON
PUMP DURABILITY PRESSURE (Pmax)	16 bar

TECHNICAL SPECIFICATIONS

MOTOR										PUMP										
TYPE	KW/HP		V		Hz	A		RPM	CAPACITOR		Hm	Suc. m	Input Output	KG	m ³ /h	1	2	3	5	7
			SINGLE	THREE		SINGLE	THREE		Uf	Vc										
SHM8-220/6 SHT8-220/6	1.6	2.2	220	380	50	10	5.2	2900	45	450	83	-	1 1/4 1"	26.5	miss	80	77	70	50	25
SHM8-300/8 SHT8-300/8	2.2	3	220	380	50	13.2	5.4	2900	50	450	110	-	1 1/4 1"	29		105	100	90	70	30
SHT8-400/10	3	4	-	380	50	-	6.4	2900	-	-	135	-	1 1/4 1"	30		127	120	110	80	38
SHT8-450/12	3.45	4.5	-	380	50	-	7.2	2900	-	-	163	-	1 1/4 1"	31		150	140	126	92	44

DIMENSIONS

Type	W	L	H	H1	H2	E	F	DNM	DNA
SHM8-220/6 SHT8-220/6	179	263	528	35	211	156	185	G 1 1/4	G 1"
SHM8-300/8 SHT8-300/8	179	263	600	35	257	156	185	G 1 1/4	G 1"
SHT8-400/10	179	263	645	35	304	156	185	G 1 1/4	G 1"
SHT8-450/12	179	263	686	35	351	156	185	G 1 1/4	G 1"



DEFINITION

Booster is systems that allow water to reach comfortably and the way of operation is completely automatic according to the intended use in cases where the city mains is insufficient, in high rise buildings, in residential units with tanks for water interruption.

These pumps are manufactured at frequencies of 50 Hz and 60 Hz.

USAGE AREAS

These booster sets are used in residential areas, industrial facilities, apartments, villas, schools, hospitals, factories and public housing, hotels, irrigation systems, treatment plants, heating and cooling systems.



MOTOR					PUMP									
TYPE	KW	V		Hz	RPM	W mm	L mm	H mm	MANIFOLD		MAX FLOW m ³ /h	CAPACITY mss	NUMBER OF FLATS	NUMBER OF FLOORS
		SINGLE	THREE						INPUT	OUTPUT				
SHT8A 220/6	1 x 1.6	220	380	50	2900	350	290	610	1 1/4"	1 1/4"	3 - 6	70 - 40	15 - 28	14 - 6
SHT8B 220/6	2 x 1.6	220	380	50	2900	940	465	820	2"	2"	6 - 12	70 - 40	30 - 56	14 - 6
SHT8C 200/6	3 x 1.6	220	380	50	2900	1190	465	820	2"	2"	9 - 18	70 - 40	45 - 84	14 - 6
SHT8A 300/8	1 x 2.2	220	380	50	2900	350	290	610	1 1/4"	1 1/4"	4 - 5.5	80 - 60	18 - 26	17 - 10
SHT8B 300/8	2 x 2.2	220	380	50	2900	940	465	820	2"	2"	8 - 11	80 - 60	36 - 52	17 - 10
SHT8C 300/8	3 x 2.2	220	380	50	2900	1190	465	820	2"	2"	12 - 16	80 - 60	54 - 76	17 - 10
SHT8A 400/10	1 x 3	-	380	50	2900	350	290	640	1 1/4"	1 1/4"	4.5 - 5	90 - 80	21 - 24	20 - 17
SHT8B 400/10	2 x 3	-	380	50	2900	940	465	820	2"	2"	9 - 10	90 - 80	42 - 48	20 - 17
SHT8C 400/10	3 x 3	-	380	50	2900	1190	465	820	2"	2"	13.5 - 15	90 - 80	63 - 72	20 - 17
SHT8A 450/12	1x3.45	-	380	50	2900	350	290	685	1 1/4"	1 1/4"	3 - 6	125 - 70	15 - 28	30 - 15
SHT8B 450/12	2x3.45	-	380	50	2900	940	465	860	2"	2"	6 - 12	125 - 70	30 - 56	30 - 15
SHT8C 450/12	3x3.45	-	380	50	2900	1190	465	860	2"	2"	9 - 18	125 - 70	45 - 84	30 - 15

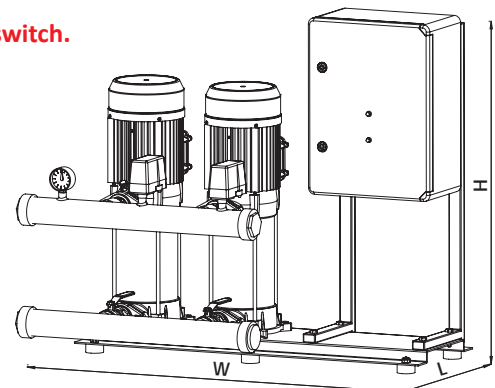
Dimensions are approximately, may be change.

Note: Our boosters are manufactured as classic type with pressure switch.

Please consult our company for frequency controlled models.

SH M 8 A 220 6

- Number of Pump Stages
- Pump Power (HP)
- Number of Pumps A=1 B=2 C=3
- Max. Pump Flow
- M: Single Phase T: Three Phase
- Pump Type



SHM12 - SHT12

Shaft Housing



DEFINITION

These pumps with a stainless steel body, vertical shaft and multi-stage are high altitude, silent operation and non self priming pumps. It is designed for use in pressurizing low viscosity liquids. The pump saves space due to its vertical structure.

These pumps are manufactured at frequencies of 50 Hz and 60 Hz.

USAGE AREAS

These pumps are used in residential areas, industrial facilities, irrigation applications requiring pressure, for Booster purposes in villas, summer houses and high rise buildings, in industries, hospitals, hotels, public housing, holiday villages, shopping malls, social facilities, fire systems, garden irrigation, heating and cooling systems.

PUMP MATERIAL PROPERTIES

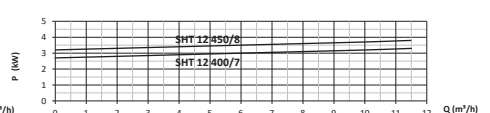
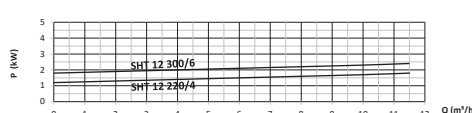
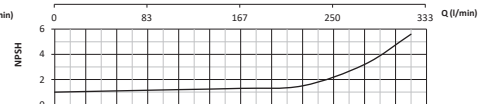
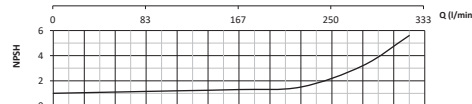
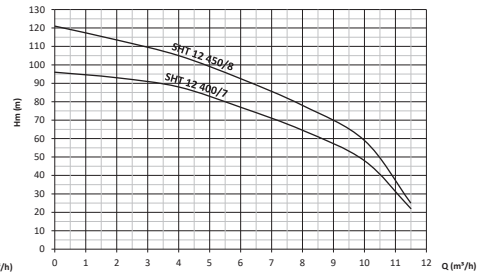
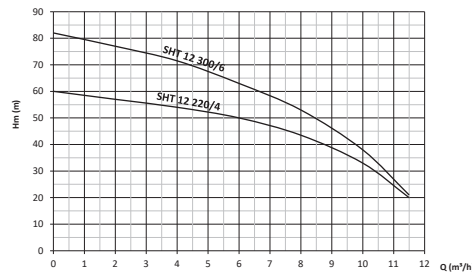
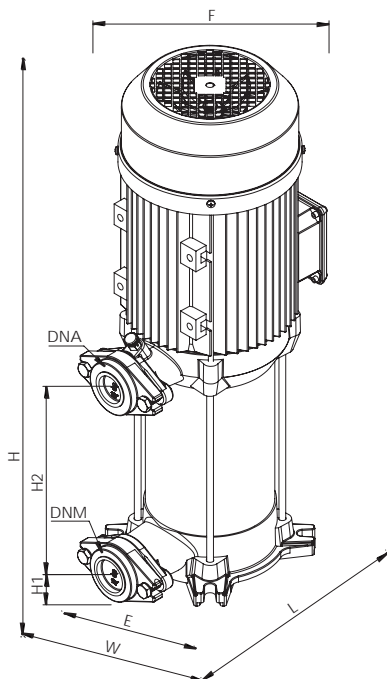
PUMP BODY	AISI 304 INOX
IMPELLER	NORYL
SHAFT	AISI 420
FLOW RATE (max.)	12 m ³ /hour
TOTAL HEAD (max.)	96 m
LIQUID PUMPING TEMPERATURE	0-45°C
PROTECTION CLASS	IP 54
INSULATION	C.I.F
SEAL	CERAMIC / CARBON
PUMP DURABILITY PRESSURE (Pmax)	14 bar

TECHNICAL SPECIFICATIONS

MOTOR										PUMP											
TYPE	KW/HP		V		Hz		A		RPM	CAPACITOR		Hm	Suc. m	Input Output	KG	m ³ /h	2	4	6	8	10
	SINGLE	THREE	SINGLE	THREE	SINGLE	THREE	uf	Vc													
SHM12-220/4 SHT12-220/4	1.6	2.2	220	380	50	11	5.5	2900	45	450	60	-	1 1/4 1 1/4	24.5	mss	57	53	50	43	32	
SHM12-300/6 SHT12-300/6	2.2	3	220	380	50	14.2	5.7	2900	50	450	82	-	1 1/4 1 1/4	27		77	72	63	52	37	
SHT12-400/7	3	4	-	380	50	-	6.5	2900	-	-	96	-	1 1/4 1 1/4	29		91	87	76	65	47	
SHT12-450/8	3.45	4.5	-	380	50	-	7.2	2900	-	-	121	-	1 1/4 1 1/4	30.5		113	105	92	78	60	

DIMENSIONS

Type	W	L	H	H1	H2	E	F	DNM	DNA
SHM12-220/4 SHT12-220/4	179	270	501	35	183	156	172	G 1 1/4	G 1 1/4
SHM12-300/6 SHT12-300/6	179	270	551	35	240	156	172	G 1 1/4	G 1 1/4
SHT12-400/7	179	270	585	35	268	156	172	G 1 1/4	G 1 1/4
SHT12-450/8	179	270	628	35	296	156	172	G 1 1/4	G 1 1/4



DEFINITION

Booster is systems that allow water to reach comfortably and the way of operation is completely automatic according to the intended use in cases where the city mains is insufficient, in high rise buildings, in residential units with tanks for water interruption.

These pumps are manufactured at frequencies of 50 Hz and 60 Hz.

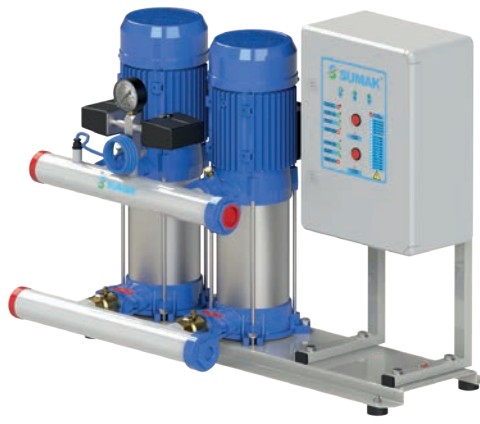
USAGE AREAS

These booster sets are used in residential areas, industrial facilities, apartments, villas, schools, hospitals, factories and public housing, hotels, irrigation systems, treatment plants, heating and cooling systems.

SHT12 A



SHT12 B



SHT12 C



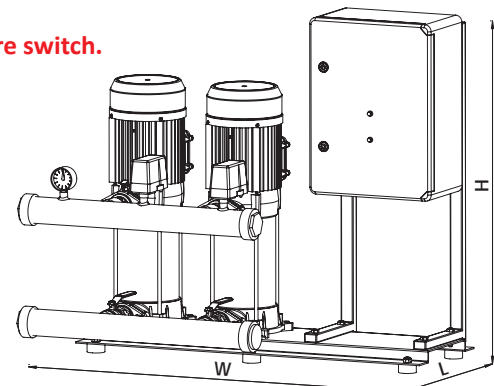
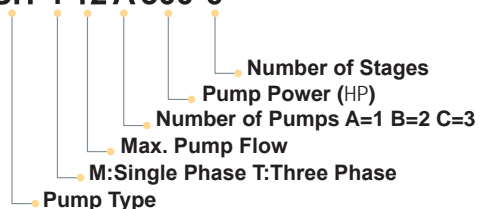
MOTOR						PUMP								
TYPE	KW	V		Hz	RPM	W mm	L mm	H mm	MANIFOLD		MAX FLOW m ³ /h	CAPACITY mss	NUMBER OF FLATS	NUMBER OF FLOORS
		SINGLE	THREE						INPUT	OUTPUT				
SHT12A 220/4	1 x 1.6	220	380	50	2900	350	290	580	1 ^{1/4}	1 ^{1/4}	6 - 10	50 - 30	28 - 48	9 - 4
SHT12B 220/4	2 x 1.6	220	380	50	2900	940	465	820	2"	2"	12 - 20	50 - 30	56 - 96	9 - 4
SHT12C 200/4	3 x 1.6	220	380	50	2900	1190	465	820	2"	2"	18 - 30	50 - 30	84 - 144	9 - 4
SHT12A 300/6	1 x 2.2	220	380	50	2900	350	290	580	1 ^{1/4}	1 ^{1/4}	4 - 8.5	70 - 50	19 - 40	14 - 9
SHT12B 300/6	2 x 2.2	220	380	50	2900	940	465	820	2"	2"	8 - 17	70 - 50	38 - 80	14 - 9
SHT12C 300/6	3 x 2.2	220	380	50	2900	1190	465	820	2"	2"	12 - 25.5	70 - 50	56 - 120	14 - 9
SHT12A 400/7	1 x 3	-	380	50	2900	350	290	585	1 ^{1/4}	1 ^{1/4}	3.5 - 7	80 - 70	17 - 33	17 - 14
SHT12B 400/7	2 x 3	-	380	50	2900	940	465	585	2"	2"	7 - 14	80 - 70	32 - 66	17 - 14
SHT12C 400/7	3 x 3	-	380	50	2900	1190	465	585	2"	2"	10 - 21	80 - 70	45 - 100	17 - 14
SHT12A 450/8	1x3.45	-	380	50	2900	350	290	625	1 ^{1/4}	1 ^{1/4}	6 - 10	90 - 60	28 - 48	20 - 12
SHT12B 450/8	2x3.45	-	380	50	2900	940	465	820	2"	2"	12 - 20	90 - 60	56 - 96	20 - 12
SHT12C 450/8	3x3.45	-	380	50	2900	1190	465	820	2"	2"	18 - 30	90 - 60	84 - 144	20 - 12

Dimensions are approximately, may be change.

Note: Our boosters are manufactured as classic type with pressure switch.

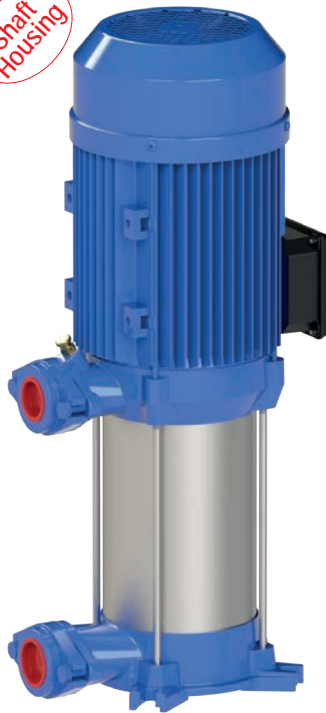
Please consult our company for frequency controlled models.

SH T 12 A 300 6



SHT16

Shaft Housing



DEFINITION

These pumps with a stainless steel body, vertical shaft and multi-stage are high altitude, silent operation and non self priming pumps. It is designed for use in pressurizing low viscosity liquids. The pump saves space due to its vertical structure.

These pumps are manufactured at frequencies of 50 Hz and 60 Hz.

USAGE AREAS

These pumps are used in residential areas, industrial facilities, irrigation applications requiring pressure, for Booster purposes in villas, summer houses and high rise buildings, in industries, hospitals, hotels, public housing, holiday villages, shopping malls, social facilities, fire systems, garden irrigation, heating and cooling systems.

PUMP MATERIAL PROPERTIES

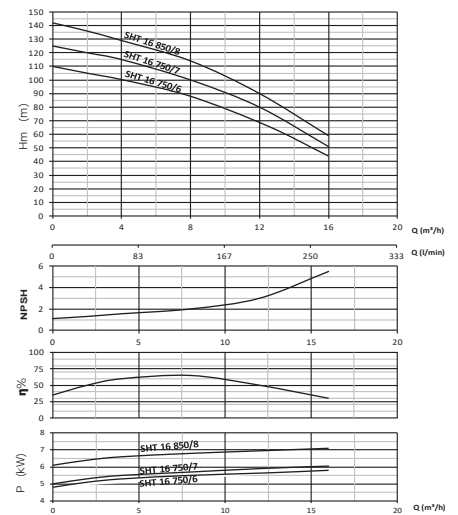
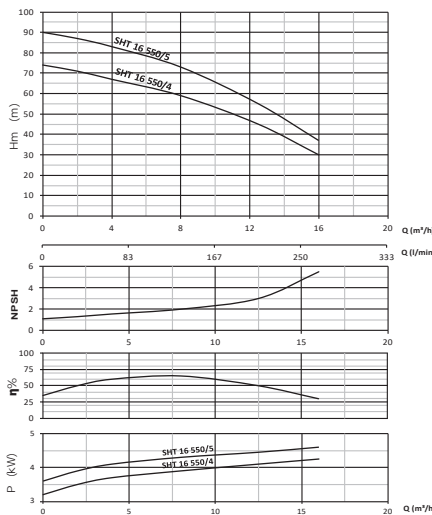
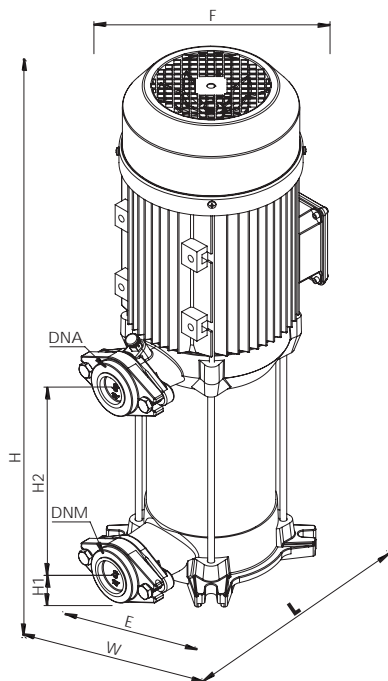
PUMP BODY	AISI 304 INOX
IMPELLER	NORYL
SHAFT	AISI 420
FLOW RATE (max.)	16 m ³ /hour
TOTAL HEAD (max.)	142 m
LIQUID PUMPING TEMPERATURE	0-45°C
PROTECTION CLASS	IP 54
INSULATION	Cl.F
SEAL	CERAMIC / CARBON
PUMP DURABILITY PRESSURE (Pmax)	16 bar

TECHNICAL SPECIFICATIONS

MOTOR								PUMP								
TYPE	KW	HP	V	Hz	A	RPM	Hm	Suc. m	Input Output	KG	m ³ /h	2	6	10	12	16
SHT16 - 550/4	4	5.5	380	50	8	2900	74	-	1 ^{1/2} 1 ^{1/4}	41	mss	70	65	52	45	30
SHT16 - 550/5	4	5.5	380	50	9.7	2900	90	-	1 ^{1/2} 1 ^{1/4}	41		88	78	67	58	37
SHT16 - 750/6	5.5	7.5	380	50	11.2	2900	110	-	1 ^{1/2} 1 ^{1/4}	46.5		105	94	78	68	44
SHT16 - 750/7	5.5	7.5	380	50	11.4	2900	125	-	1 ^{1/2} 1 ^{1/4}	46.5		120	109	91	80	50
SHT16-850/8	6.3	8.5	380	50	12.8	2900	142	-	1 ^{1/2} 1 ^{1/4}	51		135	121	104	90	59

DIMENSIONS

Type	W	L	H	H1	H2	E	F	DNM	DNA
SHT16-550/4	200	308	580	40	206	174	219	G 1 ^{1/2}	G 1 ^{1/4}
SHT16-550/5	200	308	640	40	239	174	219	G 1 ^{1/2}	G 1 ^{1/4}
SHT16-750/6	200	308	660	40	272	174	219	G 1 ^{1/2}	G 1 ^{1/4}
SHT16-750/7	200	308	690	40	305	174	219	G 1 ^{1/2}	G 1 ^{1/4}
SHT16-850/8	200	308	720	40	338	174	219	G 1 ^{1/2}	G 1 ^{1/4}



DEFINITION

Booster is systems that allow water to reach comfortably and the way of operation is completely automatic according to the intended use in cases where the city mains is insufficient, in high rise buildings, in residential units with tanks for water interruption.

These pumps are manufactured at frequencies of 50 Hz and 60 Hz.

USAGE AREAS

These booster sets are used in residential areas, industrial facilities, apartments, villas, schools, hospitals, factories and public housing, hotels, irrigation systems, treatment plants, heating and cooling systems.

SHT16 A



SHT16 B



SHT16 C

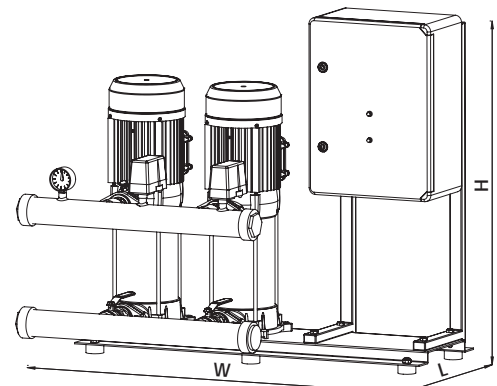
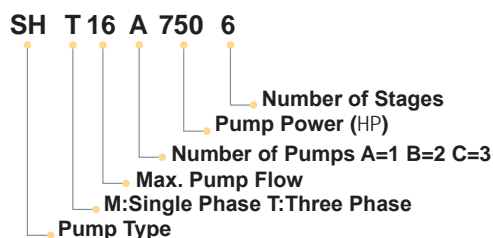


TYPE	MOTOR				PUMP								
	KW	V	Hz	RPM	W mm	L mm	H mm	MANIFOLD INPUT	MANIFOLD OUTPUT	MAX FLOW m ³ /h	CAPACITY mss	NUMBER OF FLATS	NUMBER OF FLOORS
SHT16A 550/4	1 x 4	380	50	2900	370	330	620	1 1/2	1 1/4	4 - 16	67 - 30	19 - 76	13 - 3
SHT16B 550/4	2 x 4	380	50	2900	940	550	820	3"	2 1/2	8 - 32	67 - 30	38 - 150	13 - 3
SHT16C 550/4	3 x 4	380	50	2900	1190	550	820	3"	2 1/2	12 - 48	67 - 30	57 - 225	13 - 3
SHT16A 550/5	1 x 4	380	50	2900	370	330	660	1 1/2	1 1/4	8 - 11	70 - 60	38 - 52	14 - 11
SHT16B 550/5	2 x 4	380	50	2900	940	550	820	3"	2 1/2	16 - 22	70 - 60	76 - 104	14 - 11
SHT16C 550/5	3 x 4	380	50	2900	1190	550	820	3"	2 1/2	24 - 33	70 - 60	112 - 152	14 - 11
SHT16A 750/6	1 x 5.5	380	50	2900	370	330	700	1 1/2	1 1/4	7 - 14	90 - 55	32 - 64	20 - 10
SHT16B 750/6	2 x 5.5	380	50	2900	940	550	820	3"	2 1/2	14 - 28	90 - 55	64 - 128	20 - 10
SHT16C 750/6	3 x 5.5	380	50	2900	1190	550	820	3"	2 1/2	21 - 42	90 - 55	100 - 200	20 - 10
SHT16A 750/7	1 x 5.5	380	50	2900	370	330	740	1 1/2	1 1/4	6 - 13	110 - 70	28 - 60	25 - 15
SHT16B 750/7	2 x 5.5	380	50	2900	940	550	820	3"	2 1/2	12 - 26	110 - 70	56 - 120	25 - 15
SHT16C 750/7	3 x 5.5	380	50	2900	1190	550	820	3"	2 1/2	18 - 39	110 - 70	81 - 180	25 - 15
SHT16A 850/8	1 x 6.3	380	50	2900	370	330	740	1 1/2	1 1/4	6 - 13	120 - 80	28 - 60	28 - 18
SHT16B 850/8	2 x 6.3	380	50	2900	940	550	820	3"	2 1/2	12 - 26	120 - 80	56 - 120	28 - 18
SHT16C 850/8	3 x 6.3	380	50	2900	1190	550	820	3"	2 1/2	18 - 39	120 - 80	81 - 184	28 - 18

Dimensions are approximately, may be change.

Note: Our boosters are manufactured as classic type with pressure switch.

Please consult our company for frequency controlled models.



SHT24

Shaft Housing



DEFINITION

These pumps with a stainless steel body, vertical shaft and multi-stage are high altitude, silent operation and non self priming pumps. It is designed for use in pressurizing low viscosity liquids. The pump saves space due to its vertical structure.

These pumps are manufactured at frequencies of 50 Hz and 60 Hz.

USAGE AREAS

These pumps are used in residential areas, industrial facilities, irrigation applications requiring pressure, for Booster purposes in villas, summer houses and high rise buildings, in industries, hospitals, hotels, public housing, holiday villages, shopping malls, social facilities, fire systems, garden irrigation, heating and cooling systems.

PUMP MATERIAL PROPERTIES

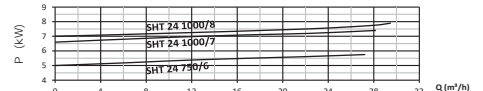
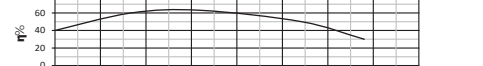
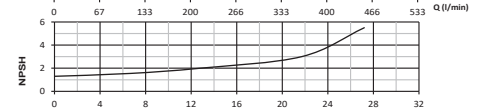
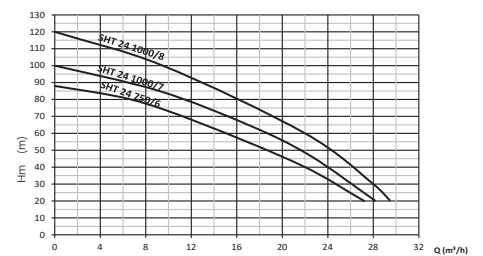
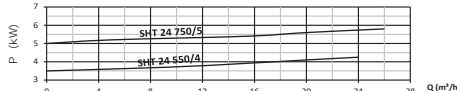
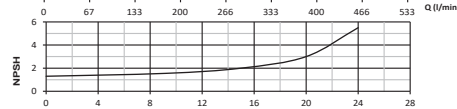
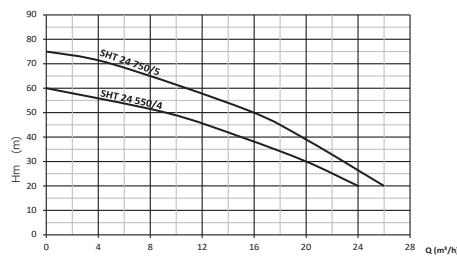
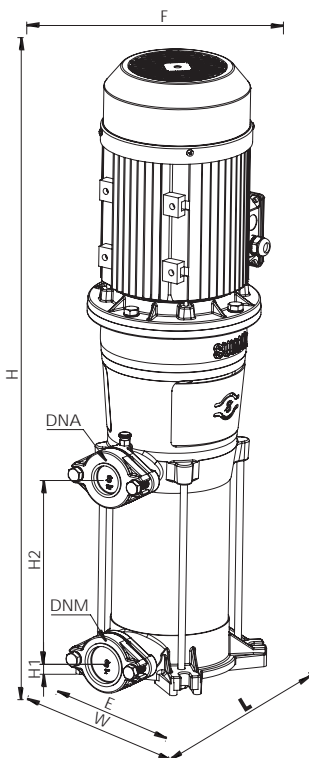
PUMP BODY	AISI 304 INOX
IMPELLER	NORYL
SHAFT	AISI 420
FLOW RATE (max.)	30 m ³ /hour
TOTAL HEAD (max.)	120 m
LIQUID PUMPING TEMPERATURE	0-45°C
PROTECTION CLASS	IP 54
INSULATION	C.I.F
SEAL	CERAMIC / CARBON
PUMP DURABILITY PRESSURE (Pmax)	16 bar

TECHNICAL SPECIFICATIONS

MOTOR							PUMP									
TYPE	KW	HP	V	Hz	A	RPM	Hm	Suc. m	Input Output	KG	m ³ /h	8	12	16	20	24
SHT24-550/4	4	5.5	380	50	8	2900	60	-	2" 1 1/2	62.5	mss	51	45	37	30	20
SHT24-750/5	5.5	7.5	380	50	11	2900	75	-	2" 1 1/2	68.5		65	57	50	39	25
SHT24-750/6	5.5	7.5	380	50	11	2900	87	-	2" 1 1/2	69.5		77	68	57	45	33
SHT24-1000/7	7.5	10	380	50	15	2900	100	-	2" 1 1/2	87.5		87	78	67	55	40
SHT24-1000/8	7.5	10	380	50	15	2900	120	-	2" 1 1/2	89		105	95	80	67	51

DIMENSIONS

Type	W	L	H	H1	H2	E	F	DNM	DNA
SHT24-550/4	225	318	906	44	279	206	250	G 2"	G 1 1/2
SHT24-750/5	225	318	970	44	327	206	250	G 2"	G 1 1/2
SHT24-750/6	225	318	1010	44	375	206	250	G 2"	G 1 1/2
SHT24-1000/7	225	318	1120	44	423	206	250	G 2"	G 1 1/2
SHT24-1000/8	225	318	1170	44	471	206	250	G 2"	G 1 1/2



DEFINITION

Booster is systems that allow water to reach comfortably and the way of operation is completely automatic according to the intended use in cases where the city mains is insufficient, in high rise buildings, in residential units with tanks for water interruption.

These pumps are manufactured at frequencies of 50 Hz and 60 Hz.

USAGE AREAS

These booster sets are used in residential areas, industrial facilities, apartments, villas, schools, hospitals, factories and public housing, hotels, irrigation systems, treatment plants, heating and cooling systems.

SHT24 A



SHT24 B



SHT24 C



MOTOR					PUMP								
TYPE	KW	V	Hz	RPM	W mm	L mm	H mm	MANIFOLD		MAX FLOW m ³ /h	CAPACITY mss	NUMBER OF FLATS	NUMBER OF FLOORS
								INPUT	OUTPUT				
SHT24A 550/4	1 x 4	380	50	2900	750	517	1065	2"	2"	9 - 20	50 - 30	42 - 95	8 - 3
SHT24B 550/4	2 x 4	380	50	2900	1105	567	1065	3"	2½"	18 - 40	50 - 30	84 - 190	8 - 3
SHT24C 550/4	3 x 4	380	50	2900	1450	717	1065	DN100	3"	27 - 60	50 - 30	126 - 285	8 - 3
SHT24A 750/5	1 x 5.5	380	50	2900	750	517	1115	2"	2"	10 - 19	60 - 40	48 - 89	11 - 6
SHT24B 750/5	2 x 5.5	380	50	2900	1105	567	1115	3"	2½"	20 - 38	60 - 40	96 - 178	11 - 6
SHT24C 750/5	3 x 5.5	380	50	2900	1450	717	1115	DN100	3"	30 - 57	60 - 40	144 - 267	11 - 6
SHT24A 750/6	1 x 5.5	380	50	2900	750	517	1165	2"	2"	11 - 18	70 - 50	52 - 85	14 - 8
SHT24B 750/6	2 x 5.5	380	50	2900	1105	567	1165	3"	2½"	22 - 36	70 - 50	104 - 170	14 - 8
SHT24C 750/6	3 x 5.5	380	50	2900	1450	717	1165	DN100	3"	33 - 54	70 - 50	156 - 255	14 - 8
SHT24A 1000/7	1 x 7.5	380	50	2900	750	517	1215	2"	2"	7 - 17	90 - 65	33 - 80	20 - 12
SHT24B 1000/7	2 x 7.5	380	50	2900	1105	567	1215	3"	2½"	14 - 34	90 - 65	66 - 160	20 - 12
SHT24C 1000/7	3 x 7.5	380	50	2900	1450	717	1215	DN100	3"	21 - 51	90 - 65	99 - 240	20 - 12
SHT24A 1000/8	1 x 7.5	380	50	2900	750	517	1265	2"	2"	9 - 16	100 - 80	42 - 76	23 - 17
SHT24B 1000/8	2 x 7.5	380	50	2900	1105	567	1265	3"	2½"	18 - 32	100 - 80	84 - 152	23 - 17
SHT24C 1000/8	3 x 7.5	380	50	2900	1450	717	1265	DN100	3"	27 - 48	100 - 80	126 - 228	23 - 17

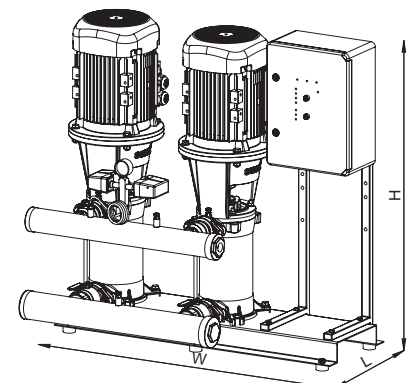
Dimensions are approximately, may be change.

Note: Our boosters are manufactured as classic type with pressure switch.

Please consult our company for frequency controlled models

SH T 24 A 1000 7

- Number of Stages
- Pump Power (HP)
- Number of Pumps A=1 B=2 C=3
- Max. Pump Flow
- T: Single Phase
- Pump Type



SHT34

Shaft Housing



DEFINITION

These pumps with a stainless steel body, vertical shaft and multi-stage are high altitude, silent operation and non self priming pumps. It is designed for use in pressurizing low viscosity liquids. The pump saves space due to its vertical structure. These pumps are manufactured at frequencies of 50 Hz and 60 Hz.

USAGE AREAS

These pumps are used in residential areas, industrial facilities, irrigation applications requiring pressure, for Booster purposes in villas, summer houses and high rise buildings, in industries, hospitals, hotels, public housing, holiday villages, shopping malls, social facilities, fire systems, garden irrigation, heating and cooling systems.

PUMP MATERIAL PROPERTIES

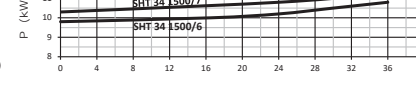
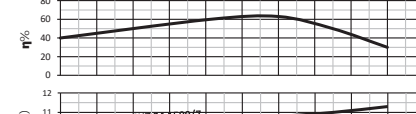
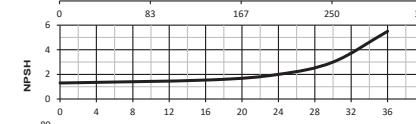
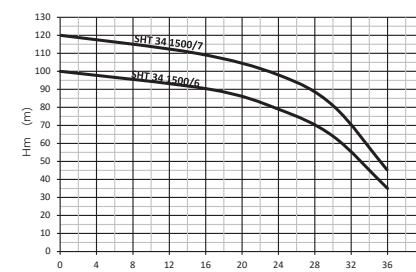
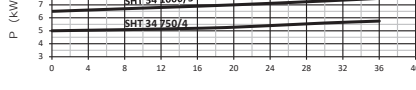
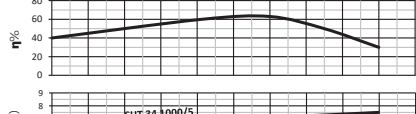
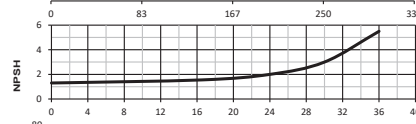
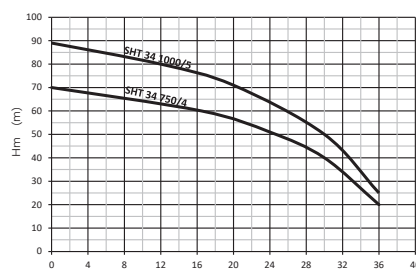
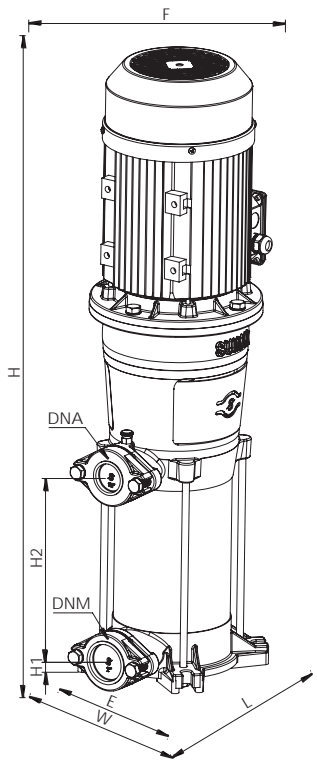
PUMP BODY	AISI 304 INOX
IMPELLER	NORYL
SHAFT	AISI 420
FLOW RATE (max.)	36 m ³ /hour
TOTAL HEAD (max.)	120 m
LIQUID PUMPING TEMPERATURE	0-45°C
PROTECTION CLASS	IP 54
INSULATION	Cl.F
SEAL	CERAMIC / CARBON
PUMP DURABILITY PRESSURE (Pmax)	16 bar

TECHNICAL SPECIFICATIONS

MOTOR								PUMP									
TYPE	KW	HP	V	Hz	A	RPM	Hm	Suc. m	Input	Output	KG	m ³ /h	12	18	24	30	36
SHT34-750/4	5.5	7.5	380	50	11	2900	70	-	2"	1 1/2"	63	mss	64	58	50	39	20
SHT34-1000/5	7.5	10	380	50	15	2900	89	-	2"	1 1/2"	84		80	75	64	51	25
SHT34-1500/6	11	15	380	50	20	2900	100	-	2"	1 1/2"	96		93	88	78	62	33
SHT34-1500/7	11	15	380	50	22	2900	120	-	2"	1 1/2"	97.5		112	106	97	81	45

DIMENSIONS

Type	W	L	H	H1	H2	E	F	DNM	DNA
SHT34-750/4	225	318	906	44	279	206	250	G 2"	G 1 1/2"
SHT34-1000/5	225	318	1030	44	327	206	250	G 2"	G 1 1/2"
SHT34-1500/6	225	318	1100	44	375	206	250	G 2"	G 1 1/2"
SHT34-1500/7	225	318	1150	44	432	206	250	G 2"	G 1 1/2"



DEFINITION

Booster is systems that allow water to reach comfortably and the way of operation is completely automatic according to the intended use in cases where the city mains is insufficient, in high rise buildings, in residential units with tanks for water interruption.

These pumps are manufactured at frequencies of 50 Hz and 60 Hz.

USAGE AREAS

These booster sets are used in residential areas, industrial facilities, apartments, villas, schools, hospitals, factories and public housing, hotels, irrigation systems, treatment plants, heating and cooling systems.

SHT34 A



SHT34 B



SHT34 C



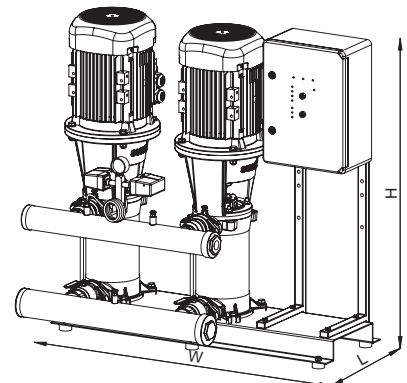
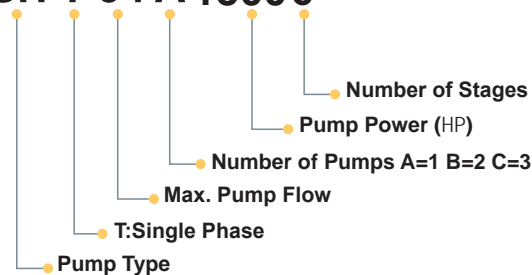
MOTOR					PUMP								
TYPE	KW	V	Hz	RPM	W mm	L mm	H mm	MANIFOLD		MAX FLOW m ³ /h	CAPACITY mss	NUMBER OF FLATS	NUMBER OF FLOORS
								INPUT	OUTPUT				
SHT34A 750/4	1 x 5.5	380	50	2900	750	517	1065	2"	2"	16 - 29	60 - 40	76 - 136	11 - 6
SHT34B 750/4	2 x 5.5	380	50	2900	1105	567	1065	3"	2½"	32 - 58	60 - 40	152 - 272	11 - 6
SHT34C 750/4	3 x 5.5	380	50	2900	1450	717	1065	DN 100	3"	48 - 87	60 - 40	228 - 408	11 - 6
SHT34A 1000/5	1 x 7.5	380	50	2900	750	517	1115	2"	2"	12 - 27	80 - 60	56 - 128	17 - 11
SHT34B 1000/5	2 x 7.5	380	50	2900	1105	567	1115	3"	2½"	36 - 54	80 - 60	112 - 256	17 - 11
SHT34C 1000/5	3 x 7.5	380	50	2900	1405	717	1115	DN 100	3"	36 - 81	80 - 60	168 - 384	17 - 11
SHT34A 1500/6	1 x 11	380	50	2900	750	517	1165	2"	2"	16 - 28	90 - 70	76 - 130	20 - 14
SHT34B 1500/6	2 x 11	380	50	2900	1105	567	1165	3"	2½"	32 - 56	90 - 70	152 - 260	20 - 14
SHT34C 1500/6	3 x 11	380	50	2900	1450	717	1165	DN 100	3"	48 - 84	90 - 70	228 - 390	20 - 14
SHT34A 1500/7	1 x 11	380	50	2900	750	517	1215	2"	2"	22 - 30	100 - 80	104 - 140	23 - 17
SHT34B 1500/7	2 x 11	380	50	2900	1105	567	1215	3"	2½"	44 - 60	100 - 80	210 - 280	23 - 17
SHT34C 1500/7	3 x 11	380	50	2900	1450	717	1215	DN 100	3"	66 - 90	100 - 80	312 - 420	23 - 17

Dimensions are approximately, may be change.

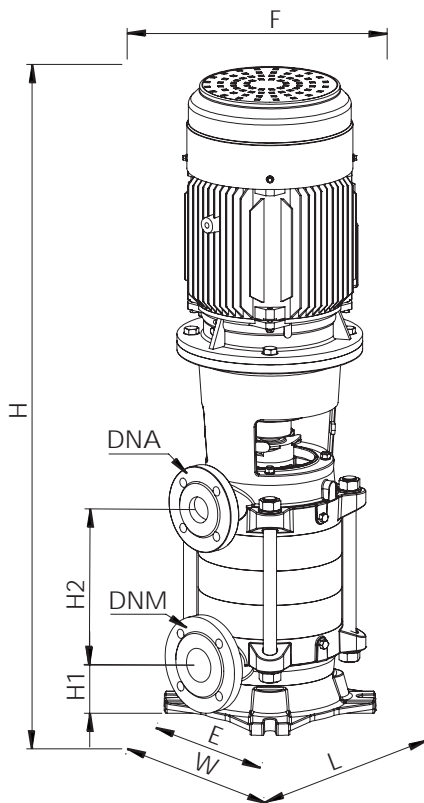
Note: Our boosters are manufactured as classic type with pressure switch.

Please consult our company for frequency controlled models.

SH T 34 A 15006



SHT32



DEFINITION

These pumps with a cast iron body, cast iron impeller, vertical shaft and multi-stage are high altitude, silent operation and non self priming pumps. It is designed for use in pressurizing low viscosity liquids. The pump saves space due to its vertical structure.

These pumps are manufactured at frequencies of 50 Hz and 60 Hz.

USAGE AREAS

These pumps are used in residential areas, industrial facilities, irrigation applications requiring pressure, for Booster purposes in villas, summer houses and high rise buildings, in industries, hospitals, hotels, public housing, holiday villages, shopping malls, social facilities, fire systems, garden irrigation, heating and cooling systems.

PUMP MATERIAL PROPERTIES

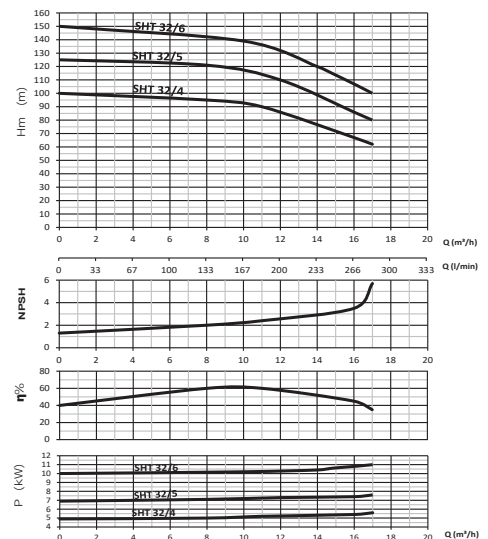
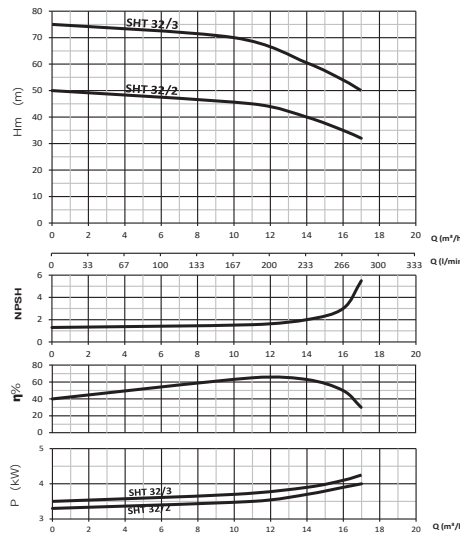
PUMP BODY	GG25 CAST IRON
IMPELLER	GG25 CAST IRON
SHAFT	AISI 420
FLOW RATE (max.)	16 m ³ /hour
TOTAL HEAD (max.)	150 m
LIQUID PUMPING TEMPERATURE	0-45°C
PROTECTION CLASS	IP 54
INSULATION	C.I.F
SEAL	CERAMIC / CARBON
PUMP DURABILITY PRESSURE (Pmax)	16 bar

TECHNICAL SPECIFICATIONS

MOTOR							PUMP									
TYPE	KW	HP	V	Hz	A	RPM	Hm	INPUT	OUTPUT	KG	m ³ /h	6	8	10	12	16
SHT32/2	4	-	380	50	8	2900	50	DN40	DN32	83	mss	48	47	46	44	35
SHT32/3	4	-	380	50	9	2900	75	DN40	DN32	90		73	72	70	65	52
SHT32/4	5.5	-	380	50	11	2900	100	DN40	DN32	100		98	95	91	86	68
SHT32/5	7.5	-	380	50	15	2900	125	DN40	DN32	126		123	120	115	110	85
SHT32/6	11	-	380	50	22	2900	150	DN40	DN32	144		147	145	139	130	106

DIMENSIONS

Type	W	L	H	H1	H2	E	F	DNM	DNA
SHT32/2	270	240	820	100	131	241	250	DN40	DN32
SHT32/3	270	280	870	100	179	241	250	DN40	DN32
SHT32/4	270	303	912	100	227	241	250	DN40	DN32
SHT32/5	270	380	990	100	275	241	250	DN40	DN32
SHT32/6	270	428	1040	100	323	241	250	DN40	DN32



DEFINITION

Booster is systems that allow water to reach comfortably and the way of operation is completely automatic according to the intended use in cases where the city mains is insufficient, in high rise buildings, in residential units with tanks for water interruption.

These pumps are manufactured at frequencies of 50 Hz and 60 Hz.

USAGE AREAS

These booster sets are used in residential areas, industrial facilities, apartments, villas, schools, hospitals, factories and public housing, hotels, irrigation systems, treatment plants, heating and cooling systems.

SHT32 A



SHT32 B



SHT32 C



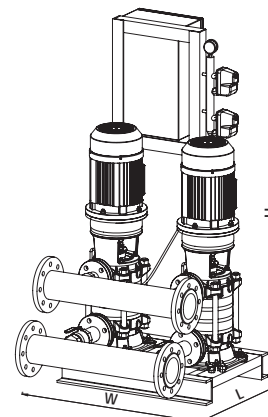
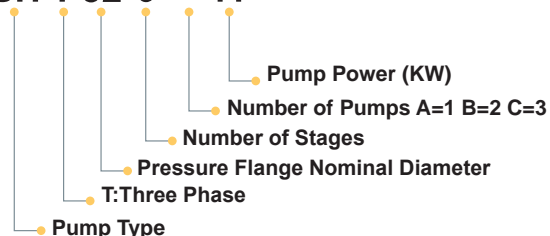
TYPE	MOTOR				PUMP						
	KW	V	Hz	RPM	W mm	L mm	H mm	MANIFOLD INPUT	MANIFOLD OUTPUT	MAX FLOW m ³ /h	CAPACITY mss
SHT 32/2 A	1 x 3	380	50	2900	335	800	1119	DN40	1 ^{1/4}	12 - 17	45 - 33
SHT 32/2 B	2 x 3	380	50	2900	675	1415	1119	DN80	DN65	24 - 34	45 - 33
SHT 32/2 C	3 x 3	380	50	2900	1106	1415	1119	DN100	DN80	36 - 51	45 - 33
SHT 32/3 A	1 x 4	380	50	2900	335	800	1209	DN40	1 ^{1/4}	10 - 17	70 - 50
SHT 32/3 B	2 x 4	380	50	2900	675	1015	1209	DN80	DN65	20 - 34	70 - 50
SHT 32/3 C	3 x 4	380	50	2900	1106	1015	1209	DN100	DN80	30 - 51	70 - 50
SHT 32/4 A	1 x 5.5	380	50	2900	335	800	1274	DN40	1 ^{1/4}	11 - 17	90 - 60
SHT 32/4 B	2 x 5.5	380	50	2900	675	1015	1274	DN80	DN65	22 - 34	90 - 60
SHT 32/4 C	3 x 5.5	380	50	2900	1106	1015	1274	DN100	DN80	33 - 51	90 - 60
SHT 32/5 A	1 x 7.5	380	50	2900	335	800	1385	DN40	1 ^{1/4}	12 - 17	110 - 80
SHT 32/5 B	2 x 7.5	380	50	2900	675	1015	1385	DN80	DN65	24 - 34	110 - 80
SHT 32/5 C	3 x 7.5	380	50	2900	1106	1015	1385	DN100	DN80	36 - 51	110 - 80
SHT 32/6 A	1 x 11	380	50	2900	335	800	1479	DN40	1 ^{1/4}	12 - 17	130 - 100
SHT 32/6 B	2 x 11	380	50	2900	675	1015	1479	DN80	DN65	24 - 34	130 - 100
SHT 32/6 C	3 x 11	380	50	2900	1106	1015	1479	DN100	DN100	36 - 51	130 - 100

Dimensions are approximately, may be change.

Note: Our boosters are manufactured as classic type with pressure switch.

Please consult our company for frequency controlled models.

SH T 32 6 A 11



SHT40



DEFINITION

These pumps with a cast iron body, cast iron impeller, vertical shaft and multi-stage are high altitude, silent operation and non self priming pumps. It is designed for use in pressurizing low viscosity liquids. The pump saves space due to its vertical structure.

These pumps are manufactured at frequencies of 50 Hz and 60 Hz.

USAGE AREAS

These pumps are used in residential areas, industrial facilities, irrigation applications requiring pressure, for Booster purposes in villas, summer houses and high rise buildings, in industries, hospitals, hotels, public housing, holiday villages, shopping malls, social facilities, fire systems, garden irrigation, heating and cooling systems.

PUMP MATERIAL PROPERTIES

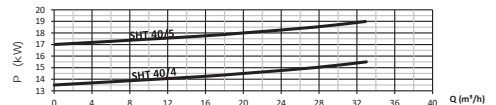
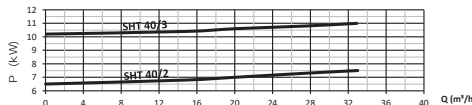
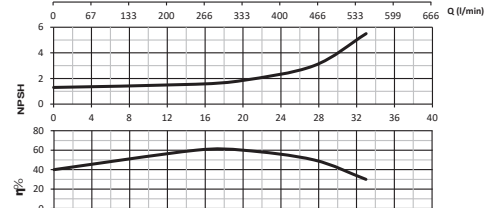
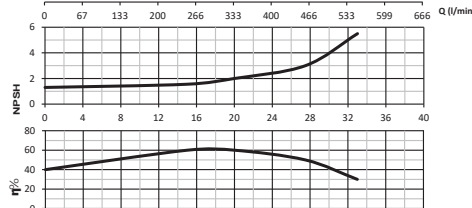
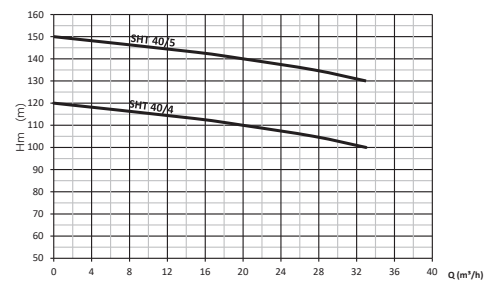
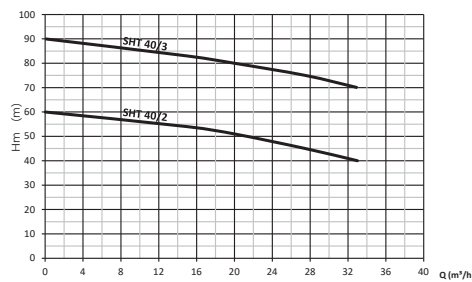
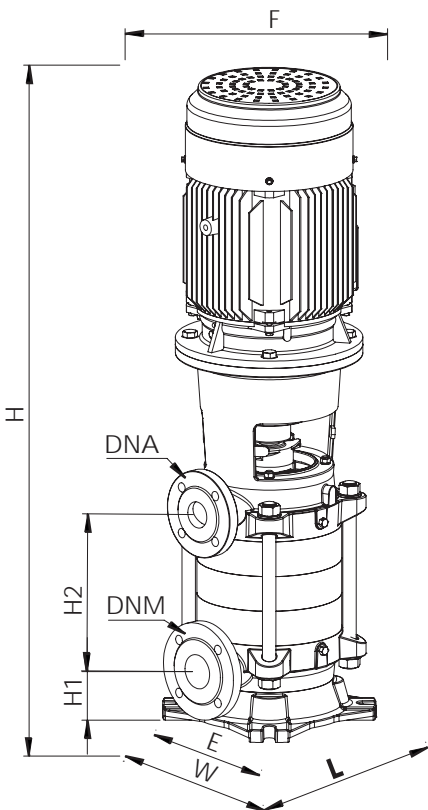
PUMP BODY	GG25 CAST IRON
IMPELLER	GG25 CAST IRON
SHAFT	AISI 420
FLOW RATE (max.)	32 m ³ /hour
TOTAL HEAD (max.)	150 m
LIQUID PUMPING TEMPERATURE	0-45°C
PROTECTION CLASS	IP 54
INSULATION	Cl.F
SEAL	CERAMIC / CARBON
PUMP DURABILITY PRESSURE (Pmax)	16 bar

TECHNICAL SPECIFICATIONS

MOTOR							PUMP									
TYPE	KW	HP	V	Hz	A	RPM	Hm	INPUT	OUTPUT	KG	m ³ /h	10	15	20	25	30
SHT40/2	7.5	-	380	50	15	2900	60	DN50	DN40	114	mss	55	52	50	48	42
SHT40/3	11	-	380	50	22	2900	90	DN50	DN40	136		85	82	80	78	72
SHT40/4	15	-	380	50	30	2900	120	DN50	DN40	199		115	112	110	108	102
SHT40/5	18.5	-	380	50	37	2900	150	DN50	DN40	226		145	142	140	138	132

DIMENSIONS

Type	W	L	H	H1	H2	E	F	DNM	DNA
SHT40/2	272	350	910	105	145	241	350	DN50	DN40
SHT40/3	272	350	965	105	200	241	350	DN50	DN40
SHT40/4	272	350	1150	105	270	241	350	DN50	DN40
SHT40/5	272	350	1215	105	310	241	350	DN50	DN40



DEFINITION

Booster is systems that allow water to reach comfortably and the way of operation is completely automatic according to the intended use in cases where the city mains is insufficient, in high rise buildings, in residential units with tanks for water interruption.

These pumps are manufactured at frequencies of 50 Hz and 60 Hz.

USAGE AREAS

These booster sets are used in residential areas, industrial facilities, apartments, villas, schools, hospitals, factories and public housing, hotels, irrigation systems, treatment plants, heating and cooling systems.

SHT40 A



SHT40 B



SHT40 C



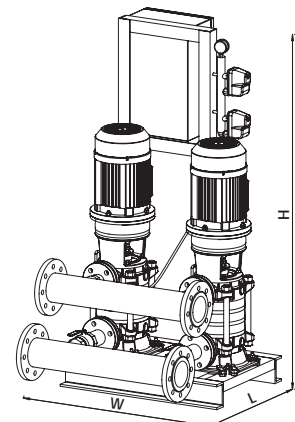
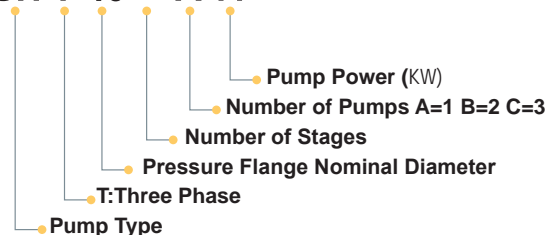
MOTOR					PUMP						
TYPE	KW	V	Hz	RPM	W mm	L mm	H mm	MANIFOLD		MAX FLOW m ³ /h	CAPACITY mss
								INPUT	OUTPUT		
SHT 40/2 A	1 x 7.5	380	50	2900	335	800	1255	DN50	1 1/2	20 - 32	50 - 40
SHT 40/2 B	2 x 7.5	380	50	2900	675	1415	1255	DN80	DN80	40 - 64	50 - 40
SHT 40/2 C	3 x 7.5	380	50	2900	1106	1415	1255	DN125	DN100	60 - 96	50 - 40
SHT 40/3 A	1 x 11	380	50	2900	335	800	1356	DN50	1 1/2	20 - 32	80 - 70
SHT 40/3 B	2 x 11	380	50	2900	675	1015	1356	DN80	DN80	40 - 64	80 - 70
SHT 40/3 C	3 x 11	380	50	2900	1106	1015	1356	DN125	DN100	60 - 96	80 - 70
SHT 40/4 A	1 x 15	380	50	2900	335	800	1511	DN50	1 1/2	20 - 32	110 - 100
SHT 40/4 B	2 x 15	380	50	2900	675	1015	1511	DN80	DN80	40 - 64	110 - 100
SHT 40/4 C	3 x 15	380	50	2900	1106	1015	1511	DN125	DN100	60 - 96	110 - 100
SHT 40/5 A	1 x 18.5	380	50	2900	335	800	1610	DN50	1 1/2	32 - 32	140 - 130
SHT 40/5 B	2 x 18.5	380	50	2900	675	1015	1610	DN80	DN80	64 - 64	140 - 130
SHT 40/5 C	3 x 18.5	380	50	2900	1106	1015	1610	DN125	DN100	96 - 96	140 - 130

Dimensions are approximately, may be change.

Note: Our boosters are manufactured as classic type with pressure switch.

Please consult our company for frequency controlled models.

SH T 40 3 A 11



SHT50



DEFINITION

These pumps with a cast iron body, cast iron impeller, vertical shaft and multi-stage are high altitude, silent operation and non self priming pumps. It is designed for use in pressurizing low viscosity liquids. The pump saves space due to its vertical structure.

These pumps are manufactured at frequencies of 50 Hz and 60 Hz.

USAGE AREAS

These pumps are used in residential areas, industrial facilities, irrigation applications requiring pressure, for Booster purposes in villas, summer houses and high rise buildings, in industries, hospitals, hotels, public housing, holiday villages, shopping malls, social facilities, fire systems, garden irrigation, heating and cooling systems.

PUMP MATERIAL PROPERTIES

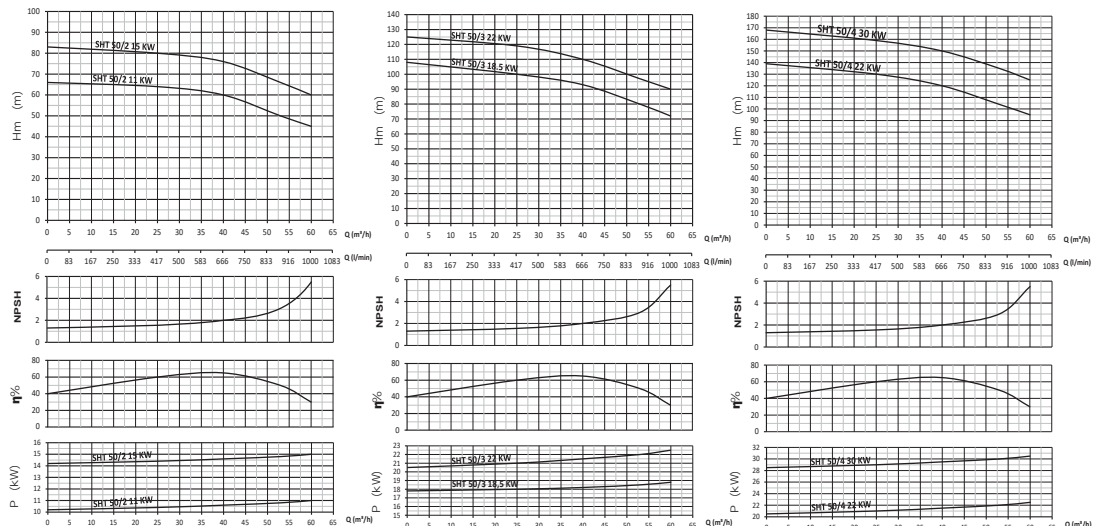
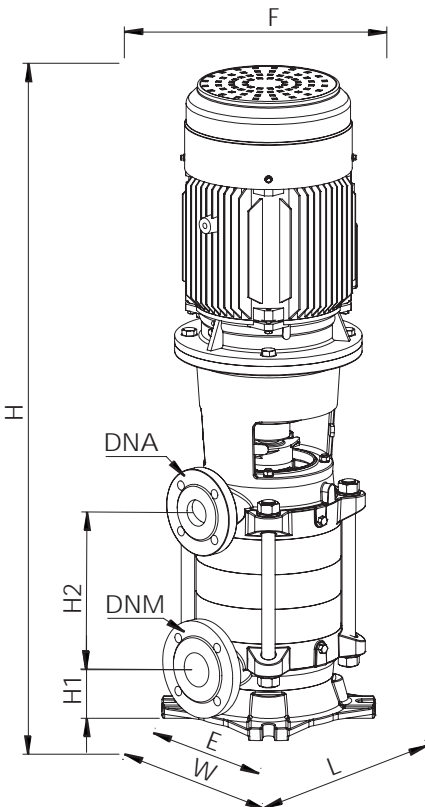
PUMP BODY	GG25 CAST IRON
IMPELLER	GG25 CAST IRON
SHAFT	AISI 420
FLOW RATE (max.)	60 m ³ /hour
TOTAL HEAD (max.)	168 m
LIQUID PUMPING TEMPERATURE	0-45°C
PROTECTION CLASS	IP 54
INSULATION	Cl.F
SEAL	CERAMIC / CARBON
PUMP DURABILITY PRESSURE (Pmax)	16 bar

TECHNICAL SPECIFICATIONS

MOTOR								PUMP									
TYPE	KW	HP	V		Hz	A	RPM	Hm	INPUT	OUTPUT	KG	m ³ /h	mss				
			SINGLE	THREE									35	40	45	50	-
SHT50/2	11	-	-	380	50	22	2900	62	DN65	DN50	165	61	60	58	52	-	
SHT50/2	15	-	-	380	50	30	2900	81	DN65	DN50	220	78	75	72	68	-	
SHT50/3	18.5	-	-	380	50	37	2900	110	DN65	DN50	254	95	92	88	81	-	
SHT50/3	22	-	-	380	50	40	2900	125	DN65	DN50	289	112	110	105	100	-	
SHT50/4	22	-	-	380	50	44	2900	139	DN65	DN50	307	122	120	112	108	-	
SHT50/4	30	-	-	380	50	57	2900	168	DN65	DN50	316	152	150	142	137	-	

DIMENSIONS

Type	W	L	H	H1	H2	E	F	DNM	DNA
SHT50/2 11 KW	330	350	1050	120	169	300	350	DN65	DN50
SHT50/2 15 KW	330	350	1070	120	169	300	350	DN65	DN50
SHT50/3 11 KW	330	350	1135	120	236	300	350	DN65	DN50
SHT50/3 15 KW	330	350	1155	120	236	300	350	DN65	DN50
SHT50/4 11 KW	330	350	1218	120	303	300	350	DN65	DN50
SHT50/4 15 KW	330	350	1238	120	303	300	350	DN65	DN50



DEFINITION

Booster is systems that allow water to reach comfortably and the way of operation is completely automatic according to the intended use in cases where the city mains is insufficient, in high rise buildings, in residential units with tanks for water interruption.

These pumps are manufactured at frequencies of 50 Hz and 60 Hz.

USAGE AREAS

These booster sets are used in residential areas, industrial facilities, apartments, villas, schools, hospitals, factories and public housing, hotels, irrigation systems, treatment plants, heating and cooling systems.

SHT50 A



SHT50 B



SHT50 C



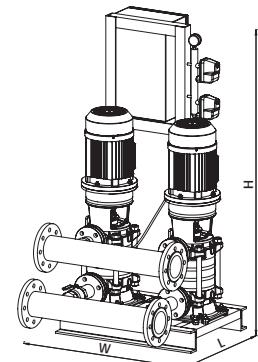
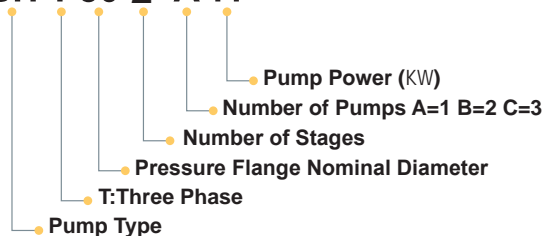
MOTOR					PUMP						
TYPE	KW	V	Hz	RPM	W mm	L mm	H mm	MANIFOLD		MAX FLOW	CAPACITY
								INPUT	OUTPUT	m ³ /h	mss
SHT 50/2 A	1 x 11	380	50	2900	435	800	1440	DN65	2"	27 - 48	65 - 55
SHT 50/2 B	2 x 11	380	50	2900	875	1515	1440	DN125	DN100	54 - 96	65 - 55
SHT 50/2 C	3 x 11	380	50	2900	1350	1515	1440	DN150	DN125	81 - 144	65 - 55
SHT 50/2 A	1 x 15	380	50	2900	435	800	1500	DN65	2"	28 - 50	80 - 70
SHT 50/2 B	2 x 15	380	50	2900	875	1515	1500	DN125	DN100	56 - 100	80 - 70
SHT 50/2 C	3 x 15	380	50	2900	1350	1515	1500	DN150	DN125	84 - 150	80 - 70
SHT 50/3 A	1 x 18.5	380	50	2900	435	800	1590	DN65	2"	27 - 55	100 - 80
SHT 50/3 B	2 x 18.5	380	50	2900	875	1015	1590	DN125	DN100	54 - 110	100 - 80
SHT 50/3 C	3 x 18.5	380	50	2900	1350	1015	1590	DN150	DN125	81 - 165	100 - 80
SHT 50/3 A	1 x 22	380	50	2900	435	800	1670	DN65	2"	20 - 52	120 - 95
SHT 50/3 B	2 x 22	380	50	2900	875	1015	1670	DN125	DN100	40 - 104	120 - 95
SHT 50/3 C	3 x 22	380	50	2900	1350	1015	1670	DN150	DN125	60 - 156	120 - 95
SHT 50/4 A	1 x 22	380	50	2900	435	800	1720	DN65	2"	20 - 50	130 - 105
SHT 50/4 B	2 x 22	380	50	2900	875	1015	1720	DN125	DN100	40 - 100	130 - 105
SHT 50/4 C	3 x 22	380	50	2900	1350	1015	1720	DN150	DN125	60 - 150	130 - 105
SHT 50/4 A	1 x 30	380	50	2900	435	800	1750	DN65	2"	25 - 50	160 - 135
SHT 50/4 B	2 x 30	380	50	2900	875	1015	1750	DN125	DN100	50 - 100	160 - 135
SHT 50/4 C	3 x 30	380	50	2900	1350	1015	1750	DN150	DN125	75 - 150	160 - 135

Dimensions are approximately, may be change.

Note: Our boosters are manufactured as classic type with pressure switch.

Please consult our company for frequency controlled models.

SH T 50 2 A 11



SHT65



DEFINITION

These pumps with a cast iron body, cast iron impeller, vertical shaft and multi-stage are high altitude, silent operation and non self priming pumps. It is designed for use in pressurizing low viscosity liquids. The pump saves space due to its vertical structure.

These pumps are manufactured at frequencies of 50 Hz and 60 Hz.

USAGE AREAS

These pumps are used in residential areas, industrial facilities, irrigation applications requiring pressure, for Booster purposes in villas, summer houses and high rise buildings, in industries, hospitals, hotels, public housing, holiday villages, shopping malls, social facilities, fire systems, garden irrigation, heating and cooling systems.

PUMP MATERIAL PROPERTIES

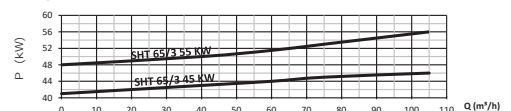
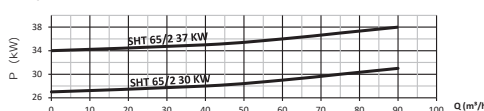
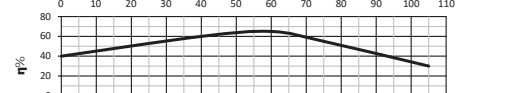
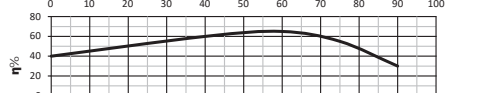
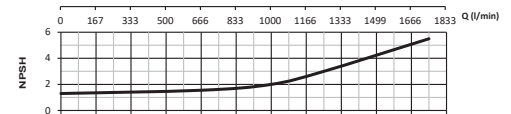
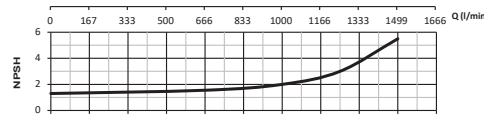
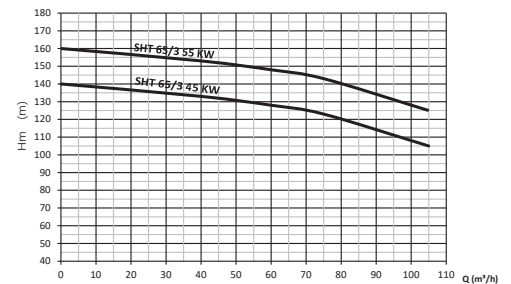
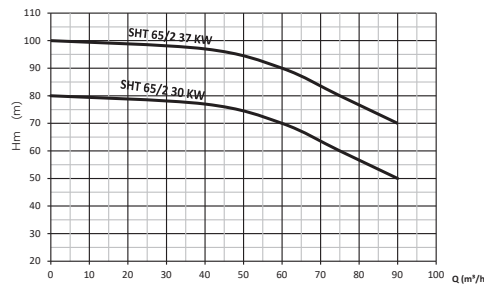
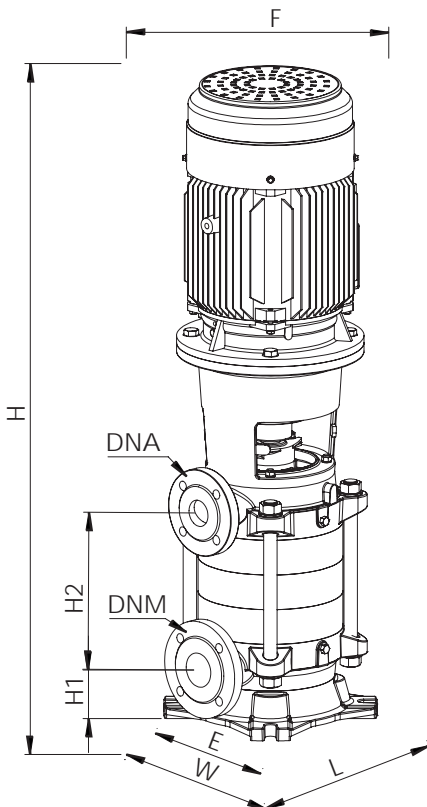
PUMP BODY	GG25 CAST IRON
IMPELLER	GG25 CAST IRON
SHAFT	AISI 420
FLOW RATE (max.)	110 m ³ /hour
TOTAL HEAD (max.)	160 m
LIQUID PUMPING TEMPERATURE	0-45°C
PROTECTION CLASS	IP 54
INSULATION	Cl.F
SEAL	CERAMIC / CARBON
PUMP DURABILITY PRESSURE (Pmax)	20 bar

TECHNICAL SPECIFICATIONS

MOTOR							PUMP										
TYPE	KW	HP	V		Hz	A	RPM	Hm	INPUT	OUTPUT	KG	m ³ /h	60	70	80	90	-
			SINGLE	THREE													
SHT65/2	30	-	-	380	50	60	2900	80	DN80	DN65	297.5	mss	70	65	57	50	-
SHT65/2	37	-	-	380	50	72	2900	100	DN80	DN65	327.5		90	85	78	70	-
SHT65/3	45	-	-	380	50	88	2900	140	DN80	DN65	559		127	124	120	116	-
SHT65/3	55	-	-	380	50	105	2900	160	DN80	DN65	584		148	145	140	135	-

DIMENSIONS

Type	W	L	H	H1	H2	E	F	DNM	DNA
SHT65/2 30 KW	330	420	1211	130	200	300	441	DN80	DN65
SHT65/2 37 KW	330	420	1231	130	200	300	441	DN80	DN65
SHT65/3 45 KW	330	420	1260	130	275	300	441	DN80	DN65
SHT65/3 55 KW	330	420	1290	130	275	300	441	DN80	DN65



DEFINITION

Booster systems are designed to maximize energy savings and provide constant pressure water in case of variable flow rate needs in cases where the city mains is insufficient, in high rise buildings, in residential units with tanks for water interruption.

These pumps are manufactured at frequencies of 50 Hz and 60 Hz.

USAGE AREAS

These booster sets are used in residential areas, industrial facilities, apartments, villas, schools, hospitals, factories and public housing, hotels, irrigation systems, treatment plants, heating and cooling systems.

SHT65 A



SHT65 B



SHT65 C



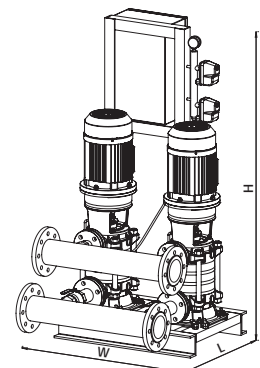
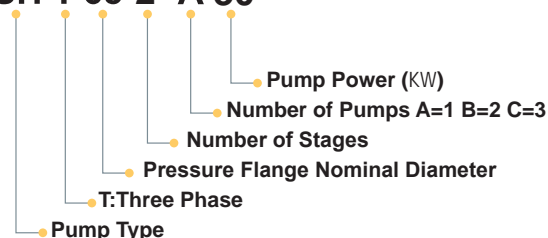
MOTOR					PUMP						
TYPE	KW	V	Hz	RPM	W mm	L mm	H mm	MANIFOLD		MAX FLOW m ³ /h	CAPACITY mss
								INPUT	OUTPUT		
SHT 65/2 A	1 x 30	380	50	2900	435	800	1539	DN80	2 ^{1/2}	45 - 75	75 - 60
SHT 65/2 B	2 x 30	380	50	2900	975	1570	1539	DN150	DN125	90 - 150	75 - 60
SHT 65/2 C	3 x 30	380	50	2900	1466	1570	1539	DN200	DN150	135 - 225	75 - 60
SHT 65/2 A	1 x 37	380	50	2900	435	800	1559	DN80	2 ^{1/2}	30 - 90	95 - 70
SHT 65/2 B	2 x 37	380	50	2900	975	1570	1559	DN150	DN125	60 - 180	95 - 70
SHT 65/2 C	3 x 37	380	50	2900	1466	1570	1559	DN200	DN150	90 - 270	95 - 70
SHT 65/3 A	1 x 45	380	50	2900	435	800	1702	DN80	2 ^{1/2}	50 - 80	130 - 120
SHT 65/3 B	2 x 45	380	50	2900	975	1015	1702	DN150	DN125	100 - 160	130 - 120
SHT 65/3 C	3 x 45	380	50	2900	1466	1015	1702	DN200	DN150	150 - 240	130 - 120
SHT 65/3 A	1 x 55	380	50	2900	435	800	1702	DN80	2 ^{1/2}	50 - 90	150 - 135
SHT 65/3 B	2 x 55	380	50	2900	975	1015	1702	DN150	DN125	100 - 180	150 - 135
SHT 65/3 C	3 x 55	380	50	2900	1466	1015	1702	DN200	DN150	150 - 270	150 - 135

Dimensions are approximately, may be change.

Note: Our boosters are manufactured as classic type with pressure switch.

Please consult our company for frequency controlled models.

SH T 65 2 A 30



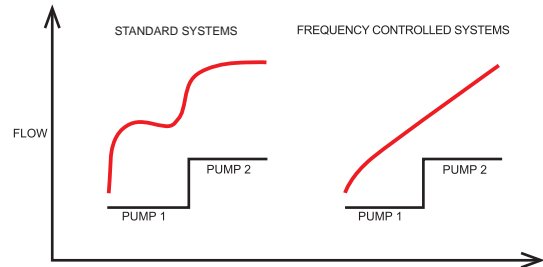
DEFINITION

Boosters with frequency controlled are designed to maximize energy savings and provide constant pressure water in case of variable flow rate needs in cases where the city mains is insufficient, in high rise buildings, in residential units with tanks for water interruption.

Frequency converters provide high efficiency and protection to boosters. These pumps are manufactured at frequencies of 50 Hz and 60 Hz.

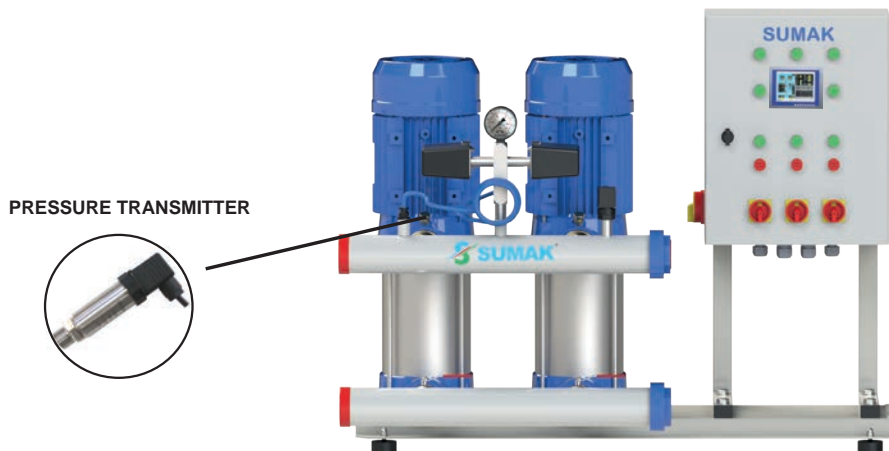
SPECIFICATIONS

- More economical due to high energy saved.
- Perfect protection with improved security systems.
- Lower starting current.
- Lower water-hammer risk with adjustable start and stop time.
- Precise pressure measurement due to pressure transmitter.
- Motortransport systems.
- Equal aging system with rotation.
- Digital control panel.
- 0,37 KW - 55 KW
- Multi pump control.
- Suitable for RoHs.
- With CE Certificated.



USAGE AREAS

Boosters with frequency controlled are used in residential areas, industrial facilities, apartments, villas, schools, hospitals, factories and public housing, hotels, irrigation systems, treatment plants, heating and cooling systems.



TYPE	KW	V	Hz	RPM	Hm
SHT6 SERIES	1.1-1.35	380	25-50	1750-2900	72-92
SHT8 SERIES	1.6-3	380	25-50	1750-2900	88-135
SHT12 SERIES	1.6-3	380	25-50	1750-2900	60-95
SHT16 SERIES	4-6.3	380	25-50	1750-2900	75-140
SHT24 SERIES	5.5-11	380	25-50	1750-2900	65-135
SHT34 SERIES	7.5-15	380	25-50	1750-2900	74-128
SHT32 SERIES	3-11	380	25-50	1750-2900	50-150
SHT40 SERIES	7.5-18.5	380	25-50	1750-2900	60-150
SHT50 SERIES	11-30	380	25-50	1750-2900	62-170
SHT65 SERIES	30-55	380	25-50	1750-2900	90-160

DEFINITION

Boosters with frequency controlled are designed to maximize energy savings and provide constant pressure water in case of variable flow rate needs in cases where the city mains is insufficient, in high rise buildings, in residential units with tanks for water interruption.

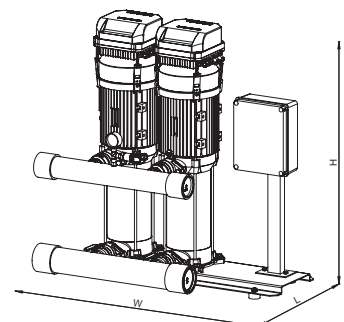
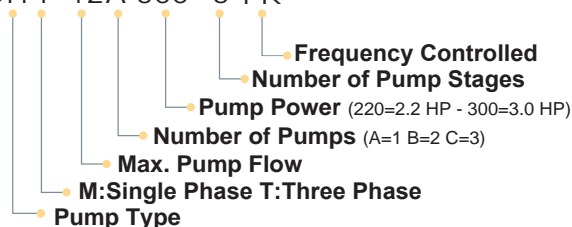
USAGE AREAS

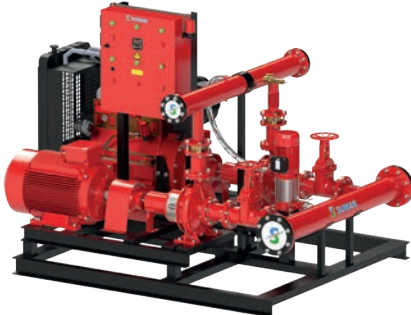
Boosters with frequency controlled are used in residential areas, industrial facilities, apartments, villas, schools, hospitals, factories and public housing, hotels, irrigation systems, treatment plants, heating and cooling systems.



MOTOR					PUMP						
TYPE	KW	V	Hz	RPM	W mm	L mm	H mm	MANIFOLD		MAX. FLOW m ³ /h	CAPACITY mss
								INPUT	OUTPUT		
SHT 6A 180/10 FK	1x1.35	380	50	2900	340	290	624	1 1/4"	1"	3.5 - 2	50 - 70
SHT 6B 180/10 FK	2x1.35	380	50	2900	940	465	834	2"	2"	7 - 4	50 - 70
SHT 6C 180/10 FK	3x1.35	380	50	2900	1190	465	834	2"	2"	10.5 - 6	50 - 70
SHT 8A 300/8 FK	1x2.2	380	50	2900	350	290	624	1 1/4"	1 1/4"	5 - 3.5	70 - 85
SHT 8B 300/8 FK	2x2.2	380	50	2900	940	465	834	2"	2"	10 - 7	70 - 85
SHT 8C 300/8 FK	3x2.2	380	50	2900	1190	465	834	2"	2"	15 - 10.5	70 - 85
SHT 8A 400/10 FK	1x3	380	50	2900	350	290	654	1 1/4"	1 1/4"	5.5 - 4	70 - 95
SHT 8B 400/10 FK	2x3	380	50	2900	940	465	834	2"	2"	11 - 8	70 - 95
SHT 8C 400/10 FK	3x3	380	50	2900	1190	465	834	2"	2"	16.5 - 12	70 - 95
SHT 12A 300/6 FK	1x2.2	380	50	2900	350	290	594	1 1/4"	1 1/4"	8 - 4	50 - 70
SHT 12B 300/6 FK	2x2.2	380	50	2900	940	465	834	2"	2"	16 - 8	50 - 70
SHT 12C 300/6 FK	3x2.2	380	50	2900	1190	465	834	2"	2"	24 - 12	50 - 70
SHT 12A 400/7 FK	1x3	380	50	2900	350	290	599	1 1/4"	1 1/4"	8 - 3.5	65 - 90
SHT 12B 400/7 FK	2x3	380	50	2900	940	465	834	2"	2"	16 - 7	65 - 90
SHT 12C 400/7 FK	3x3	380	50	2900	1190	465	834	2"	2"	24 - 10.5	65 - 90
SHT 16A 550/5 FK	1x4	380	50	2900	370	330	674	1 1/2"	1 1/4"	13 - 9	50 - 70
SHT 16B 550/5 FK	2x4	380	50	2900	940	550	834	3"	2 1/2"	26 - 18	50 - 70
SHT 16C 550/5 FK	3x4	380	50	2900	1190	550	834	3"	2 1/2"	39 - 27	50 - 70
SHT 16A 750/6 FK	1x5.5	380	50	2900	370	330	714	1 1/2"	1 1/4"	13 - 9	60 - 80
SHT 16B 750/6 FK	2x5.5	380	50	2900	940	550	834	3"	2 1/2"	26 - 18	60 - 80
SHT 16C 750/6 FK	3x5.5	380	50	2900	1190	550	834	3"	2 1/2"	39 - 27	60 - 80
SHT 16A 750/7 FK	1x5.5	380	50	2900	370	330	754	1 1/2"	1 1/4"	13 - 10	70 - 90
SHT 16B 750/7 FK	2x5.5	380	50	2900	940	550	834	3"	2 1/2"	26 - 20	70 - 90
SHT 16C 750/7 FK	3x5.5	380	50	2900	940	550	834	3"	2 1/2"	39 - 30	70 - 90
SHT 16A 850/8 FK	1x6.3	380	50	2900	370	330	754	1 1/2"	1 1/4"	13 - 10	80 - 100
SHT 16B 850/8 FK	2x6.3	380	50	2900	940	550	834	3"	2 1/2"	26 - 20	80 - 100
SHT 16C 850/8 FK	3x6.3	380	50	2900	1190	550	834	3"	2 1/2"	39 - 30	80 - 100

SHT 12A 300 6 FK



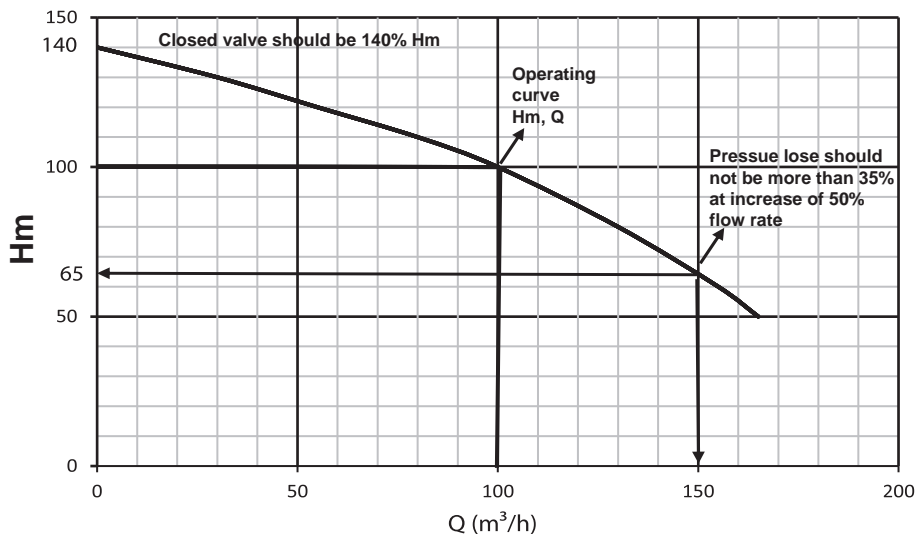


FIRE EXTINGUISHING SYSTEMS WORKING PRINCIPLES

We assist you in determining the appropriate pump set for your project with our expert team. Our products are delivered as a complete set with a common control panel (with an optional separate panel) and each pump on a common chassis, together with its fasteners and all accessories. In order to prevent cavitation in the suction collector of the fire set, a positive suction condition must be provided. In case of negative suction, the pump cannot provide the required performance since the pump will create cavitation and air. The Standby pump may be diesel powered, as an alternative to the project or the possibility of power failure. This set is suitable for residential and commercial use, villa, apartment, fuel station, warehouse areas, small-scale industrial facilities, etc. It is used in fire fighting systems in places. Fire system; It consists of 1 (one) main, 1 (one) stand by pump and 1 (one) jockey pump. Pumps connected to each other with the collector, compensator, ball valves, check-valves, independent pressure switches and a common panel with weekly test program are delivered as a set. In case of fire, the jockey pump is activated first to meet the water requirement of the system, if the jockey pump cannot meet the need and the pressure continues to decrease, the actual pump is activated. In case of an increase in water demand, the standby pump is also activated automatically. SMKT Pumps start automatically with the command received from the pressure switch and then stop automatically, but the diesel pump is stopped manually. In the weekly test program in the Fire System, a return to the main water tank should be provided with the pump safety valve in order to prevent excessive pressure in the installation with the operation of the pumps. All measurements and calculations are for clean water at +20°C. In the fire system, suction line valves are produced with butterfly valves, they can be manufactured with a OS&Y valve if desired.

DO NOT TURN OFF THE ELECTRIC SUPPLY OF THE FIRE PUMP SYSTEM IN CASE OF FIRE!

In calculating the thickness of the cable, the current should be selected by taking 150% of the largest possible full load current. NFPA 20 is the standard related to fire pumps, it is the standard that determines the features, performances and assembly rules of fire pumps and pump groups, engine control systems and side elements that should be used. The flow rate (Q) / Head (Hm) curve of the fire pumps should be as horizontal as possible. Therefore, as the need for water increases, there will not be much pressure drop and the pressure required in the fire installation will be provided continuously. According to NFPA 20 standard, the minimum value of the manometric height (Hm) should not be less than 65% of the working (nominal) value. In the pump curve, the Hmax pressure value of the pump in the closed valve should not be more than 140% of the pressure values at the operating value.



SELECTION TO PACKAGE TYPE VERTICAL SHAFT FIRE FIGHTING PUMP					
m3/h	GPM	mss	RPM	KW	TIP / TYPE
5,7	25	40	2900	1,6	SHT 12-220/4
		50		1,6	SHT 12-300/6
		60		2,2	SHT 12-400/7
		60		4	SHT 16-550/4
		80		4	SHT 16-550/5
		90		4	SHT 16-750/6
		105		5,5	SHT 16-750/7
		120		5,5	SHT 16-750/8
11,4	50	50	2900	4	SHT 16-550/4
		60		4	SHT 16-550/5
		75		5,5	SHT 16-750/6
		80		5,5	SHT 16-750/7
		60		5,5	SHT 24-750/5
		70		5,5	SHT 24-750/6
		80		7,5	SHT 24-1000/7
		90		7,5	SHT 24-1000/8
		100		11	SHT 34-1500/7
22,7	100	40	2900	7,5	SHT24 1000/7
		50		7,5	SHT24 1000/8
		65		7,5	SHT34 1000/5
		75		11	SHT34 1500/6
		95		11	SHT34 1500/7
SELECTION TO END SUCTION FIRE PUMP					
22,7	100	50	2900	7,5	SMT 250/32
		60		11	SMT 250/32
		70		11	SMT 250/32
		80		15	SMT 250/32
		90		15	SMT 250/32
34,1	150	40	2900	7,5	SMT 250/40
		50		11	SMT 250/40
		60		15	SMT 250/40
		68		18,5	SMT 250/40
		75		22	SMT 250/40
		88		30	SMT 250/40
45,4	200	50	2900	15	SMT 250/50
		60		18,5	SMT 250/50
		65		22	SMT 250/50
		70		30	SMT 250/50
		80		30	SMT 250/50
		90		37	SMT 250/50
56,8	250	50	2900	18,5	SMT 250/50
		60		22	SMT 250/50
		70		30	SMT 250/50
		80		37	SMT 250/50
		90		37	SMT 250/50
68,1	300	40	2900	18,5	SMT 250/50
		50		18,5	SMT 250/50
		60		22	SMT 250/50
		70		30	SMT 250/50
		80		37	SMT 250/50
		88		37	SMT 250/50
91	400	40	2900	22	SMT 250/65
		50		22	SMT 250/65
		65		30	SMT 250/65
		75		37	SMT 250/65
		85		45	SMT 250/65
		95		55	SMT 250/65

SELECTION TO END SUCTION FIRE PUMP					
m3/h	GPM	mss	RPM	KW	TIP / TYPE
102	450	40	2900	22	SMT 250/65
		50		22	SMT 250/65
		60		30	SMT 250/65
		75		37	SMT 250/65
		85		45	SMT 250/65
		92		55	SMT 250/80
114	500	40	2900	22	SMT 250/80
		50		30	SMT 250/80
		60		37	SMT 250/80
		70		45	SMT 250/80
		80		55	SMT 250/80
		90		75	SMT 250/80
170	750	40	2900	37	SMT 250/80
		50		37	SMT 250/80
		60		45	SMT 250/80
		70		55	SMT 250/80
		80		75	SMT 250/80
		95		75	SMT 250/80
227	1000	40	2900	45	SMT 250/100
		50		45	SMT 250/100
		60		55	SMT 250/100
		70		75	SMT 250/100
		80		90	SMT 250/100
		90		110	SMT 250/100
SELECTION TO SPLIT CASE (DOUBLE SUCTION) FIRE PUMP					
114	500	55	2900	37	SMC 270/80
		65		45	SMC 270/80
		75		55	SMC 270/80
		95		75	SMC 270/80
114	500	85	2900	75	SMC 310/100
		100		90	SMC 310/100
		125		110	SMC 310/100
170	750	42	2900	37	SMC 270/80
		52		45	SMC 270/80
		62		45	SMC 270/80
		72		55	SMC 270/80
		82		75	SMC 270/80
170	750	80	2900	75	SMC 310/100
		100		90	SMC 310/100
		120		110	SMC 310/100
227	1000	70	2900	75	SMC 310/100
		90		90	SMC 310/100
		100		110	SMC 310/100
284	1250	60	2900	75	SMC 310/100
		80		90	SMC 310/100
		100		110	SMC 310/100
341	1500	70	2900	110	SMC 310/100

EY



DEFINITION

These single pump fire boosters with stainless steel body and vertical shaft are light and sound alarm, weekly test program and in compliance with TSE standards. It is designed to pressurize water in fire fighting systems.

USAGE AREAS

These fire boosters are used in fire fighting systems with water in residential units with high fire risk, industrial facilities, hotels, hospitals, workplaces, shopping malls, factories, public housing, warehouses, ships, schools and social service buildings, facilities processing chemicals and hazardous materials, automatic sprinklers, indoor fire cabinets and outdoor hydrants.

PUMP MATERIAL PROPERTIES

PUMP BODY	AISI 304 INOX
IMPELLER	NORYL
SHAFT	AISI 420
LIQUID TEMPERATURE	0-45°C
PROTECTION CLASS	IP 54
INSULATION	C.I.F
SEAL	CERAMIC / CARBON

TECHNICAL SPECIFICATIONS

TYPE	KW	V	Hz	RPM	W mm	L mm	H mm	MANIFOLD		60 mss	80 mss
								INPUT	OUTPUT		
SHT 12 A 400/7 EY	1x3	380	50	2900	350	290	585	1 1/4"	1 1/4"	1x8m ³	1x5m ³
SHT 16 A 550/5 EY	1x4	380	50	2900	370	330	660	1 1/2"	1 1/4"	1x12m ³	1x6m ³
SHT 16 A 750/7 EY	1x5.5	380	50	2900	370	330	700	1 1/2"	1 1/4"	1x15m ³	1x12m ³
SHT 24 A 1000/7 EY	1x7.5	380	50	2900	817	670	1145	2"	2"	1x18m ³	1x12m ³
SHT 34 A 1500/6 EY	1x11	380	50	2900	817	670	1105	2"	2"	1x30m ³	1x24m ³

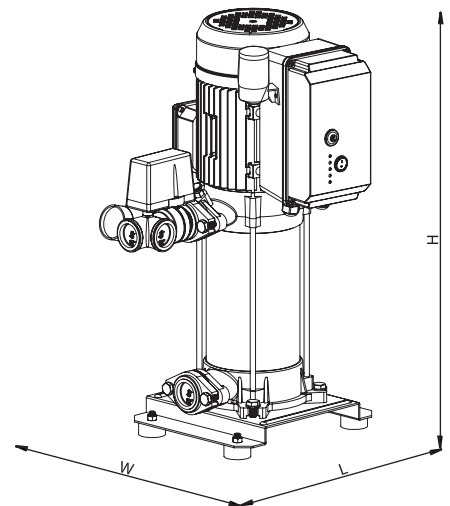
*Fire panel with sound and light alarm system with weekly test program

*Liquid level floater with 10m cable

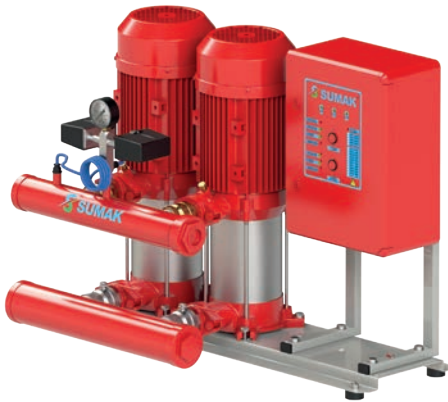
*You have to use 16 bar expansion tank for pump types with pressure above 10 bar

SHT16 A550 5 EY

- Fire
- Electrical Pump
- Number of Pump Stages
- Pump Power (HP)
- Number of Pumps (A=1 B=2 C=3)
- Engine Size
- T: Three Phase
- Pump Type



EEY



DEFINITION

These two pumps fire boosters with stainless steel body and vertical shaft are light and sound alarm, weekly test program and in compliance with TSE standards. It is designed to pressurize water in fire fighting systems.

USAGE AREAS

These fire boosters are used in fire fighting systems with water in residential units with high fire risk, industrial facilities, hotels, hospitals, workplaces, shopping malls, factories, public housing, warehouses, ships, schools and social service buildings, facilities processing chemicals and hazardous materials, automatic sprinklers, indoor fire cabinets and outdoor hydrants.

PUMP MATERIAL PROPERTIES

PUMP BODY	AISI 304 INOX
IMPELLER	NORYL
SHAFT	AISI 420
LIQUID TEMPERATURE	0-45°C
PROTECTION CLASS	IP 54
INSULATION	Cl.F
SEAL	CERAMIC / CARBON

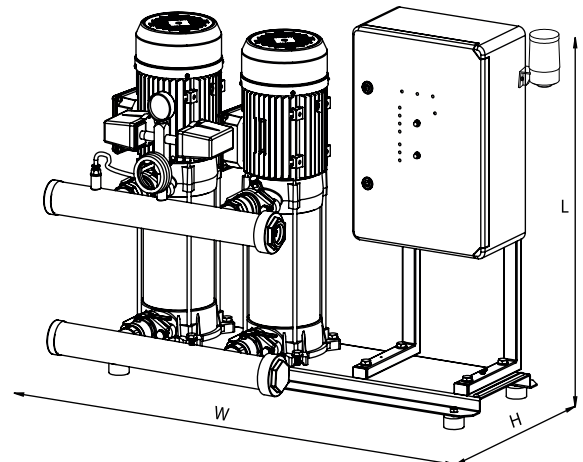
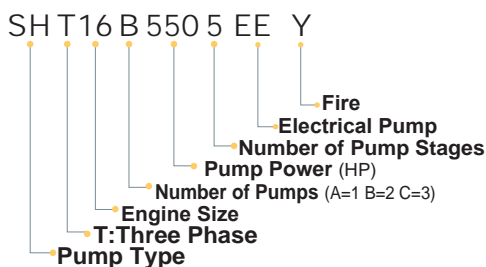
TECHNICAL SPECIFICATIONS

TYPE	KW	V	Hz	d/d	W mm	L mm	H mm	MANIFOLD		60 mss	80 mss
								INPUT	OUTPUT		
SHT 12 B 400/7 EEY	2x3	380	50	2900	940	465	585	2"	2"	2x8m ³	2x5m ³
SHT 16 B 550/5 EEY	2x4	380	50	2900	940	550	820	3"	2 1/2"	2x12m ³	2x6m ³
SHT 16 B 750/7 EEY	2x5.5	380	50	2900	940	550	820	3"	2 1/2"	2x15m ³	2x12m ³
SHT 24 B 1000/7 EEY	2x7.5	380	50	2900	1177	684	1145	3"	2 1/2"	2x18m ³	2x12m ³
SHT 34 B 1500/6 EEY	2x11	380	50	2900	1177	684	1105	3"	2 1/2"	2x30m ³	2x24m ³

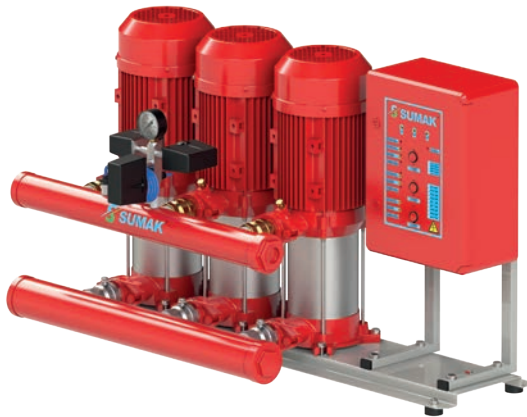
*Fire panel with sound and light alarm system with weekly test program

*Liquid level floater with 10m cable

*You have to use 16 bar expansion tank for pump types with pressure above 10 bar



EEEY



DEFINITION

These three pumps fire boosters with stainless steel body and vertical shaft are light and sound alarm, weekly test program and in compliance with TSE standards. It is designed to pressurize water in fire fighting systems.

USAGE AREAS

These fire boosters are used in fire fighting systems with water in residential units with high fire risk, industrial facilities, hotels, hospitals, workplaces, shopping malls, factories, public housing, warehouses, ships, schools and social service buildings, facilities processing chemicals and hazardous materials, automatic sprinklers, indoor fire cabinets and outdoor hydrants.

PUMP MATERIAL PROPERTIES

PUMP BODY	AISI 304 INOX
IMPELLER	NORYL
SHAFT	AISI 420
LIQUID TEMPERATURE	0-45°C
PROTECTION CLASS	IP 54
INSULATION	Cl.F
SEAL	CERAMIC / CARBON

TECHNICAL SPECIFICATIONS

TYPE	KW	V	Hz	RPM	W mm	L mm	H mm	MANIFOLD		60 mss	80 mss
								INPUT	OUTPUT		
SHT 12 C 400/7 EEEY	3x3	380	50	2900	1190	465	820	2"	2"	3x8m ³	3x5m ³
SHT 16 C 550/5 EEEY	3x4	380	50	2900	1190	550	820	3"	2 ^{1/2} "	3x12m ³	3x6m ³
SHT 16 C 750/7 EEEY	3x5.5	380	50	2900	1190	550	820	3"	2 ^{1/2} "	3x15m ³	3x12m ³
SHT 24 C 1000/7 EEEY	3x7.5	380	50	2900	1537	684	1145	DN100	3"	3x18m ³	3x12m ³
SHT 34 C 1500/6 EEEY	3x11	380	50	2900	1537	684	1105	DN100	3"	3x30m ³	3x24m ³

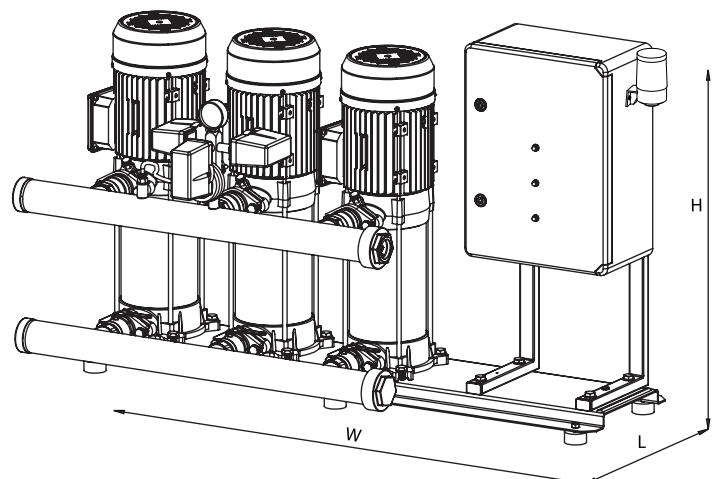
*Fire panel with sound and light alarm system with weekly test program

*Liquid level floater with 10m cable

*You have to use 16 bar expansion tank for pump types with pressure above 10 bar

SHT16 C 550 5 EEE Y

- Y: Fire
- EEE: Electrical Pump
- 5: Number of Pump Stages
- 550: Pump Power (HP)
- C: Number of Pumps (A=1 B=2 C=3)
- 16: Engine Size
- T: Three Phase
- SHT: Pump Type



EY



DEFINITION

These fire boosters with single pump, cast iron body, cast iron impeller and horizontal shaft are light and sound alarm, weekly test program and in compliance with TSE standards. It is designed to pressurize water in fire fighting systems.

USAGE AREAS

These fire boosters are used in fire fighting systems with water in residential units with high fire risk, industrial facilities, hotels, hospitals, workplaces, shopping malls, factories, public housing, warehouses, ships, schools and social service buildings, facilities processing chemicals and hazardous materials, automatic sprinklers, indoor fire cabinets and outdoor hydrants.

PUMP MATERIAL PROPERTIES

PUMP BODY	GG25 CAST IRON
IMPELLER	GG25 CAST IRON
SHAFT	AISI 420
LIQUID TEMPERATURE	0-45°C
PROTECTION CLASS	IP 54
INSULATION	Cl.F
SEAL	CERAMIC / CARBON

TECHNICAL SPECIFICATIONS

TYPE	RPM	MOTOR POWER	START	W mm	L mm	H mm	MANIFOLD		mss	m³/h
							INPUT	OUTPUT		
SMKT 750 EY	2900	1x7.5 HP	Automatic	500	550	600	1 ^{1/2}	1 ^{1/2}	60 80	1x15 1x10
SMKT 750/2 EY	2900	1x7.5 HP	Automatic	500	550	600	2'	2'	40 60	1x26 1x15

*Fire panel with sound and light alarm system with weekly test program

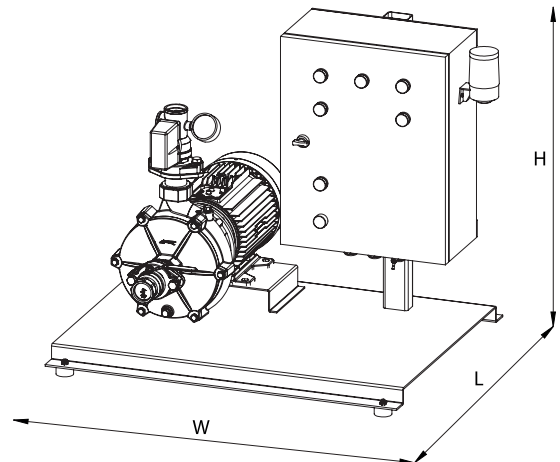
*Optionally, these booster can be manufactured with bronze impeller

*Liquid level floater with 10m cable

*You have to use 16 bar expansion tank for pump types with pressure above 10 bar

SMK T 750/2 EY

- Fire
- Electrical Pump
- Number of Pumps
- Pump Power (HP)
- T: Three Phase
- Pump Type



HORIZONTAL MULTISTAGE FIRE PUMP WITH JOCKEY

EJY



DEFINITION

These fire boosters with single pump + jockey pump, cast iron body, cast iron impeller and horizontal shaft are light and sound alarm, weekly test program and in compliance with TSE standards. It is designed to pressurize water in fire fighting systems.

USAGE AREAS

These fire boosters are used in fire fighting systems with water in residential units with high fire risk, industrial facilities, hotels, hospitals, workplaces, shopping malls, factories, public housing, warehouses, ships, schools and social service buildings, facilities processing chemicals and hazardous materials, automatic sprinklers, indoor fire cabinets and outdoor hydrants.

PUMP MATERIAL PROPERTIES

PUMP BODY	GG25 CAST IRON
IMPELLER	GG25 CAST IRON
SHAFT	AISI 420
LIQUID TEMPERATURE	0-45°C
PROTECTION CLASS	IP 54
INSULATION	CI.F
SEAL	CERAMIC / CARBON

TECHNICAL SPECIFICATIONS

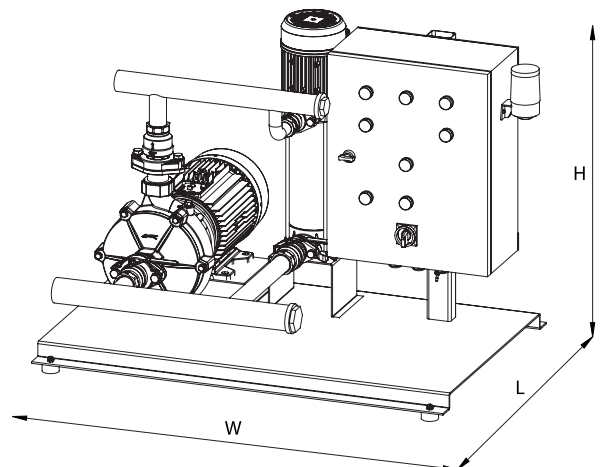
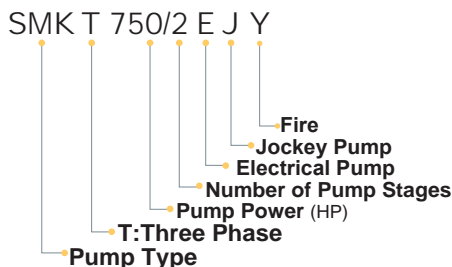
TYPE	RPM	MOTOR POWER	START	W mm	L mm	H mm	MANIFOLD		mss	m³/h
							INPUT	OUTPUT		
SMKT 750 EJY	2900	1x7.5 HP	Automatic	950	790	730	2 ^{1/2}	2 ^{1/2}	60	1x15
		1x1.8 HP							80	1x10
SMKT 750/2 EJY	2900	1x7.5 HP	Automatic	950	850	730	2 ^{1/2}	2 ^{1/2}	40	1x26
		1x1.8 HP							60	1x15

*Fire panel with sound and light alarm system with weekly test program

*Optionally, these booster can be manufactured with bronze impeller

*Liquid level floater with 10m cable

*You have to use 16 bar expansion tank for pump types with pressure above 10 bar



EEJY



DEFINITION

These fire boosters with two pumps + jockey pump, cast iron body, cast iron impeller and horizontal shaft are light and sound alarm, weekly test program and in compliance with TSE standards. It is designed to pressurize water in fire fighting systems.

USAGE AREAS

These fire boosters are used in fire fighting systems with water in residential units with high fire risk, industrial facilities, hotels, hospitals, workplaces, shopping malls, factories, public housing, warehouses, ships, schools and social service buildings, facilities processing chemicals and hazardous materials, automatic sprinklers, indoor fire cabinets and outdoor hydrants.

PUMP MATERIAL PROPERTIES

PUMP BODY	GG25 CAST IRON
IMPELLER	GG25 CAST IRON
SHAFT	AISI 420
LIQUID TEMPERATURE	0-45°C
PROTECTION CLASS	IP 54
INSULATION	Cl.F
SEAL	CERAMIC / CARBON

TECHNICAL SPECIFICATIONS

TYPE	RPM	MOTOR GÜCÜ	START	W mm	L mm	H mm	MANIFOLD		mss	m³/h
							INPUT	OUTPUT		
SMKT 750 EEJY	2900	2x7.5 HP 1x1.8 HP	Automatic	1310	790	730	3"	2 1/2"	60	2x15
									80	2x10
SMKT 750/2 EEJY	2900	2x7.5 HP 1x1.8 HP	Automatic	1310	850	730	3"	2 1/2"	40	2x26
									60	2x15

*Fire panel with sound and light alarm system with weekly test program

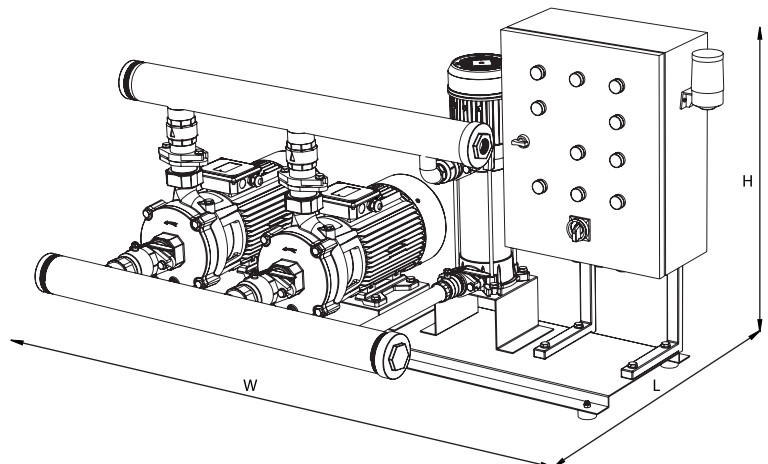
*Optionally, these booster can be manufactured with bronze impeller

*Liquid level floater with 10m cable

*You have to use 16 bar expansion tank for pump types with pressure above 10 bar

SMK T 750/2 E E J Y

- Fire
- Jockey Pump
- Electrical Pump
- Electrical Pump
- Number of Pump Stages
- Pump Power (HP)
- T: Three Phase
- Pump Type



HORIZONTAL MULTISTAGE FIRE PUMP WITH DIESEL AND JOCKEY

DY



DEFINITION

These fire boosters with diesel engine, cast iron body, cast iron impeller and horizontal shaft are light and sound alarm, weekly test program and in compliance with TSE standards. It is designed to pressurize water in fire fighting systems.

USAGE AREAS

These fire boosters are used in fire fighting systems with water in residential units with high fire risk, industrial facilities, hotels, hospitals, workplaces, shopping malls, factories, public housing, warehouses, ships, schools and social service buildings, facilities processing chemicals and hazardous materials, automatic sprinklers, indoor fire cabinets and outdoor hydrants.

PUMP MATERIAL PROPERTIES

PUMP BODY	GG25 CAST IRON
IMPELLER	GG25 CAST IRON
SHAFT	AISI 420
LIQUID TEMPERATURE	0-45°C
PROTECTION CLASS	IP 54
INSULATION	Cl.F
SEAL	CERAMIC / CARBON

TECHNICAL SPECIFICATIONS

TYPE	RPM	MOTOR POWER	START	W mm	L mm	H mm	MANIFOLD		mss	m³/h
							INPUT	OUTPUT		
SMKT 750 DY	3000	1x7.5 HP	Automatic and Manual Start	1305	680	730	1½"	1½"	60 80	1x15 1x10
SMKT 750/2 DY	3000	1x7.5 HP	Automatic and Manual Start	1305	680	730	2"	2"	40 60	1x26 1x15

*Fire panel with sound and light alarm system with weekly test program

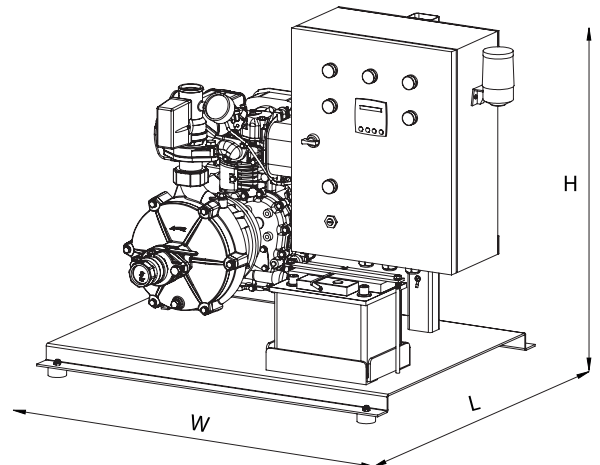
*Optionally, these booster can be manufactured with bronze impeller

*Liquid level floater with 10m cable

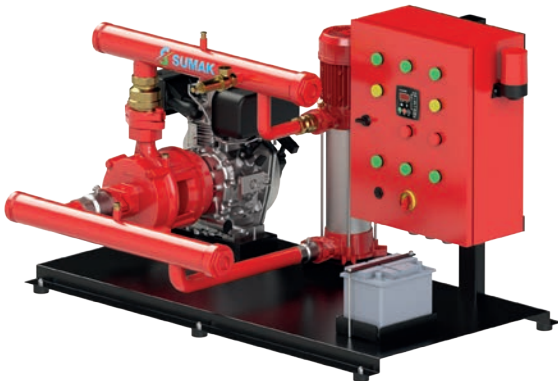
*You have to use 16 bar expansion tank for pump types with pressure above 10 bar

SMK T 750/2 D Y

- Fire
- Diesel Pump
- Number of Pump Stages
- Pump Power (HP)
- T: Three Phase
- Pump Type



DJY



DEFINITION

These fire boosters with diesel engine + jockey pump ,cast iron body, cast iron impeller and horizontal shaft are light and sound alarm, weekly test program and in compliance with TSE standards. It is designed to pressurize water in fire fighting systems.

USAGE AREAS

These fire boosters are used in fire fighting systems with water in residential units with high fire risk, industrial facilities, hotels, hospitals, workplaces, shopping malls, factories, public housing, warehouses, ships, schools and social service buildings, facilities processing chemicals and hazardous materials, automatic sprinklers, indoor fire cabinets and outdoor hydrants.

PUMP MATERIAL PROPERTIES

PUMP BODY	GG25 CAST IRON
IMPELLER	GG25 CAST IRON
SHAFT	AISI 420
LIQUID TEMPERATURE	0-45°C
PROTECTION CLASS	IP 54
INSULATION	CI.F
SEAL	CERAMIC / CARBON

TECHNICAL SPECIFICATIONS

TYPE	RPM	MOTOR POWER	START	W mm	L mm	H mm	MANIFOLD		mss	m ³ /h
							INPUT	OUTPUT		
SMKT 750 DJY	3000	1x7.5 HP	Automatic and Manuel Start	1305	1070	730	2 ^{1/2}	2 ^{1/2}	60	1x15
		1x1.8 HP								80
SMKT 750/2 DJY	3000	1x7.5 HP	Automatic and Manuel Start	1305	1070	730	2 ^{1/2}	2 ^{1/2}	40	1x26
		1x1.8 HP								60

*Fire panel with sound and light alarm system with weekly test program

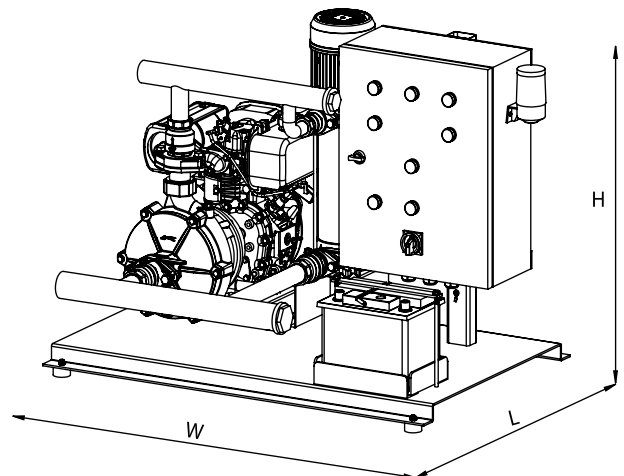
*Optionally, these booster can be manufactured with bronze impeller

*Liquid level floater with 10m cable

*You have to use 16 bar expansion tank for pump types with pressure above 10 bar

SMK T 750/2 DJ Y

- Fire
- Jockey Pump
- Diesel Pump
- Number of Pump Stages
- Pump Power (HP)
- T: Three Phase
- Pump Type



EDJY



DEFINITION

These fire boosters with electrical engine + diesel engine + jockey pump, cast iron body, cast iron impeller and horizontal shaft are light and sound alarm, weekly test program and in compliance with TSE standards. It is designed to pressurize water in fire fighting systems.

USAGE AREAS

These fire boosters are used in fire fighting systems with water in residential units with high fire risk, industrial facilities, hotels, hospitals, workplaces, shopping malls, factories, public housing, warehouses, ships, schools and social service buildings, facilities processing chemicals and hazardous materials, automatic sprinklers, indoor fire cabinets and outdoor hydrants.

PUMP MATERIAL PROPERTIES

PUMP BODY	GG25 CAST IRON
IMPELLER	GG25 CAST IRON
SHAFT	AISI 420
LIQUID TEMPERATURE	0-45°C
PROTECTION CLASS	IP 54
INSULATION	CI.F
SEAL	CERAMIC / CARBON

TECHNICAL SPECIFICATIONS

TYPE	RPM	MOTOR POWER	START	W mm	L mm	H mm	MANIFOLD		mss	m³/h
							INPUT	OUTPUT		
SMKT 750 EDJY	3000	2x7.5 HP 1x1.8 HP	Automatic and Manuel Start	1305	1070	730	3"	2 1/2"	60 80	2x15 2x10
SMKT 750/2 EDJY	3000	2x7.5 HP 1x1.8 HP	Automatic and Manuel Start	1305	1070	730	3"	2 1/2"	40 60	2x26 2x15

*Fire panel with sound and light alarm system with weekly test program

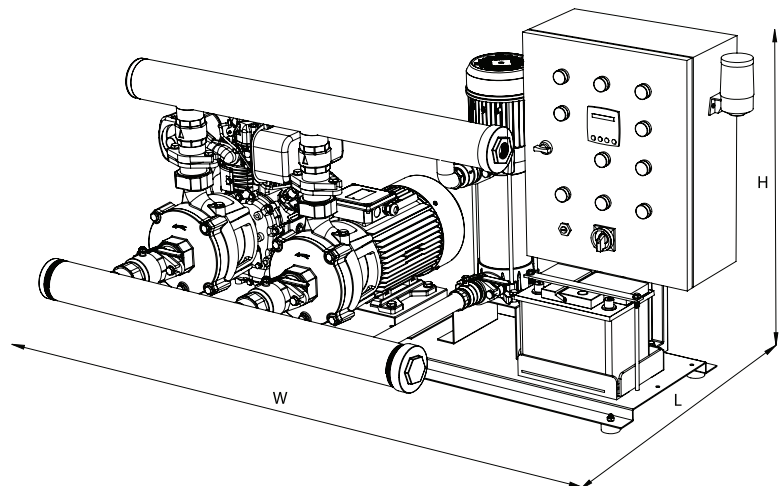
*Optionally, these booster can be manufactured with bronze impeller

*Liquid level floater with 10m cable

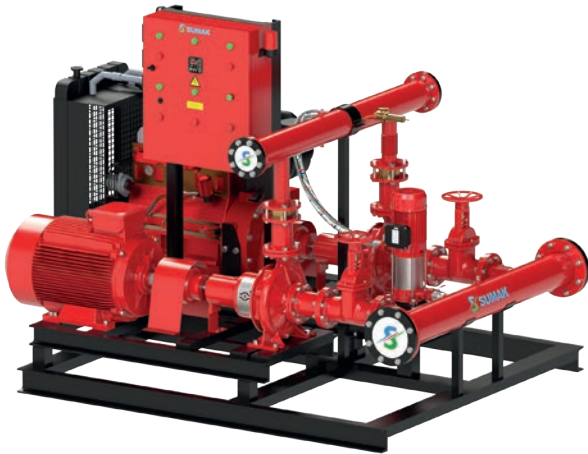
*You have to use 16 bar expansion tank for pump types with pressure above 10 bar

SMK T 750/2 E D J Y

- Fire
- Jockey Pump
- Diesel Pump
- Electrical Pump
- Number of Pump Stages
- Pump Power (HP)
- T: Three Phase
- Pump Type



SMT 250/65 EDJY



DEFINITION

These fire boosters with electrical engine + diesel engine + jockey pump, cast iron body, cast iron impeller and horizontal shaft are light and sound alarm, weekly test program and in compliance with TSE standards. It is designed to pressurize water in fire fighting systems.

USAGE AREAS

These fire boosters are used in fire fighting systems with water in residential units with high fire risk, industrial facilities, hotels, hospitals, workplaces, shopping malls, factories, public housing, warehouses, ships, schools and social service buildings, facilities processing chemicals and hazardous materials, automatic sprinklers, indoor fire cabinets and outdoor hydrants.

PUMP MATERIAL PROPERTIES

PUMP BODY	GG25 CAST IRON
IMPELLER	GG25 CAST IRON
SHAFT	AISI 420
LIQUID TEMPERATURE	0-45°C
SEAL	SOFT SEAL
INPUT FLANGE	DN80 PN16
OUTPUT FLANGE	DN65 PN16

TECHNICAL SPECIFICATIONS

TYPE	RPM	START	DIMENSIONS			MANIFOLD		mss	m³/h
			W mm	L mm	H mm	INPUT	OUTPUT		
SMT250/32 EDJY SERIES	3000	Automatic and Manuel Start	1850	2350	1800	4"	3"	60 80	2x32 2x28
SMT250/40 EDJY SERIES	3000	Automatic and Manuel Start	1850	2350	1800	5"	4"	60 80	2x65 2x50
SMT250/50 EDJY SERIES	3000	Automatic and Manuel Start	1870	2450	1835	5"	4"	60 80	2x120 2x90
SMT250/65 EDJY SERIES	3000	Automatic and Manuel Start	1890	2550	1870	6"	5"	60 80	2x175 2x140
SMT250/80 EDJY SERIES	3000	Automatic and Manuel Start	1900	2800	2000	8"	6"	60 80	2x270 2x240
SMT250/100 EDJY SERIES	3000	Automatic and Manuel Start	1900	2900	2050	8"	8"	60 80	2x370 2x300

*Dimensions on the table are estimated, can be change due to engine KW

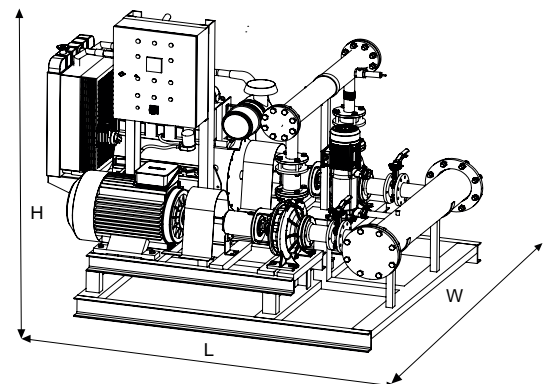
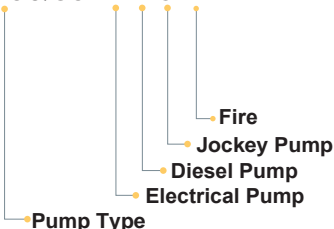
*Fire panel with sound and light alarm system with weekly test program

*Optionally, these booster can be manufactured with bronze impeller

*Liquid level floater with 10m cable

*You have to use 16 bar expansion tank for pump types with pressure above 10 bar

SMT 250/65 E D J Y



SMT 250/65 EEJY



DEFINITION

These fire boosters with two pumps + jockey pump, cast iron body, cast iron impeller and horizontal shaft are light and sound alarm, weekly test program and in compliance with TSE standards. It is designed to pressurize water in fire fighting systems.

USAGE AREAS

These fire boosters are used in fire fighting systems with water in residential units with high fire risk, industrial facilities, hotels, hospitals, workplaces, shopping malls, factories, public housing, warehouses, ships, schools and social service buildings, facilities processing chemicals and hazardous materials, automatic sprinklers, indoor fire cabinets and outdoor hydrants.

PUMP MATERIAL PROPERTIES

PUMP BODY	GG25 CAST IRON
IMPELLER	GG25 CAST IRON
SHAFT	AISI 420
LIQUID TEMPERATURE	0-45°C
PROTECTION CLASS	SOFT SEAL
INSULATION	DN80 PN16
SEAL	DN65 PN16

TECHNICAL SPECIFICATIONS

TYPE	RPM	START	W mm	L mm	H mm	MANIFOLD		mss	m ³ /h
						INPUT	OUTPUT		
SMT250/32 EEJY SERİ	2900	Automatic and Manuel	1200	1850	1300	4"	3"	60 80	2x32 2x28
SMT250/40 EEJY SERİ	2900	Automatic and Manuel	1250	1900	1500	5"	4"	60 80	2x65 2x50
SMT250/50 EEJY SERİ	2900	Automatic and Manuel	1300	2150	1800	5"	4"	60 80	2x120 2x90
SMT250/65 EEJY SERİ	2900	Automatic and Manuel	1500	2250	1850	6"	5"	60 80	2x175 2x140
SMT250/80 EEJY SERİ	2900	Automatic and Manuel	1600	2350	1900	8"	6"	60 80	2x270 2x240
SMT250/100 EEJY SERİ	2900	Automatic and Manuel	1700	2400	1950	8"	8"	60 80	2x370 2x300

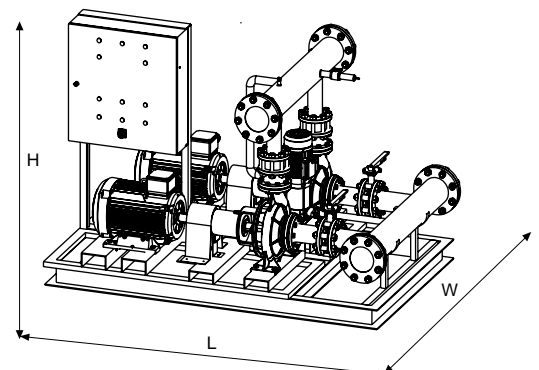
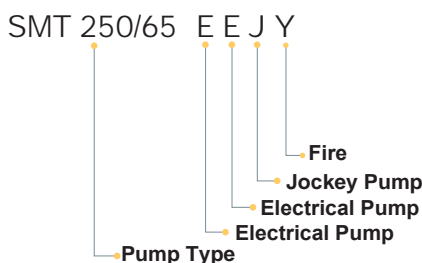
*Dimensions on the table are estimated, can be change due to engine KW

*Fire panel with sound and light alarm system with weekly test program

*Optionally, these booster can be manufactured with bronze impeller

*Liquid level floater with 10m cable

*You have to use 16 bar expansion tank for pump types with pressure above 10 bar



SMC 310/100 DY



DEFINITION

These fire boosters with split case (double suction) and diesel engine, cast iron body, cast iron impeller and horizontal shaft are light and sound alarm, weekly test program and in compliance with TSE standards. It is designed to pressurize water in fire fighting systems.

USAGE AREAS

These fire boosters are used in fire fighting systems with water in residential units with high fire risk, industrial facilities, hotels, hospitals, workplaces, shopping malls, factories, public housing, warehouses, ships, schools and social service buildings, facilities processing chemicals and hazardous materials, automatic sprinklers, indoor fire cabinets and outdoor hydrants.

PUMP MATERIAL PROPERTIES

PUMP BODY	GGG40 CAST IRON
IMPELLER	GG25 CAST IRON
SHAFT	AISI 420
LIQUID TEMPERATURE	0-45°C
SEAL	SOFT SEAL
INPUT FLANGE	DN150 PN16(SMC 310/100)
OUTPUT FLANGE	DN100 PN16(SMC 310/100)
INPUT FLANGE	DN125 PN16(SMC 270/80)
OUTPUT FLANGE	DN80 PN16 (SMC 270/80)

TECHNICAL SPECIFICATIONS

TYPE	RPM	MOTOR POWER	START	W mm	L mm	H mm	MANIFOL		mss	m³/h
							INPUT	OUTPUT		
SMC 270/80 DY	3000	1x75 KW	Automatic and Manuel Start	600	1918	1450	DN125	DN80	80 90	1x180 1x140
SMC 310/100 DY	3000	1x90 KW	Automatic and Manuel Start	670	1916	1525	DN150	DN100	79 92	1x280 1x200

*Dimensions on the table are estimated, can be change due to engine KW

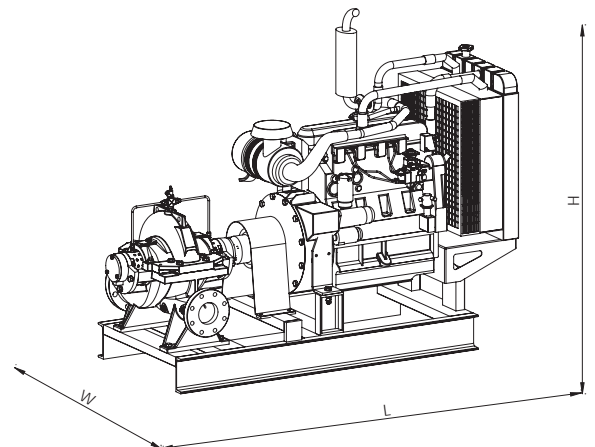
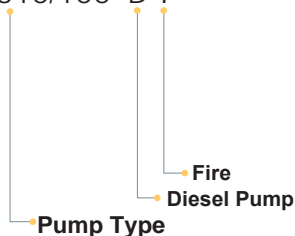
*Fire panel with sound and light alarm system with weekly test program

*Optionally, these booster can be manufactured with bronze impeller

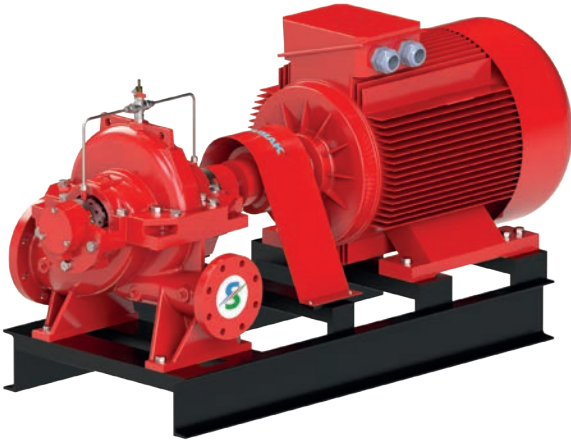
*Liquid level floater with 10m cable

*You have to use 16 bar expansion tank for pump types with pressure above 10 bar

SMC 310/100 DY



SMC 310/100 EY



DEFINITION

These fire boosters with split case (double suction), cast iron body, cast iron impeller and horizontal shaft are light and sound alarm, weekly test program and in compliance with TSE standards. It is designed to pressurize water in fire fighting systems.

USAGE AREAS

These fire boosters are used in fire fighting systems with water in residential units with high fire risk, industrial facilities, hotels, hospitals, workplaces, shopping malls, factories, public housing, warehouses, ships, schools and social service buildings, facilities processing chemicals and hazardous materials, automatic sprinklers, indoor fire cabinets and outdoor hydrants.

PUMP MATERIAL PROPERTIES

PUMP BODY	GGG40 CAST IRON
IMPELLER	GG25 CAST IRON
SHAFT	AISI 420
LIQUID TEMPERATURE	0-45°C
SEAL	SOFT SEAL
INPUT FLANGE	DN150 PN16(SMC 310/100)
OUTPUT FLANGE	DN100 PN16(SMC 310/100)
INPUT FLANGE	DN125 PN16(SMC 270/80)
OUTPUT FLANGE	DN80 PN16 (SMC 270/80)

TECHNICAL SPECIFICATIONS

TYPE	RPM	MOTOR POWER	START	W mm	L mm	H mm	MANIFOL		mss	m³/h
							INPUT	OUTPUT		
SMC 270/80 EY	2900	1x75 KW	Automatic and Manuel Start	600	1918	1450	DN125	DN80	80 90	1x180 1x140
SMC 310/100 EY	2900	1x90 KW	Automatic and Manuel Start	670	1916	1525	DN150	DN100	79 92	1x280 1x200

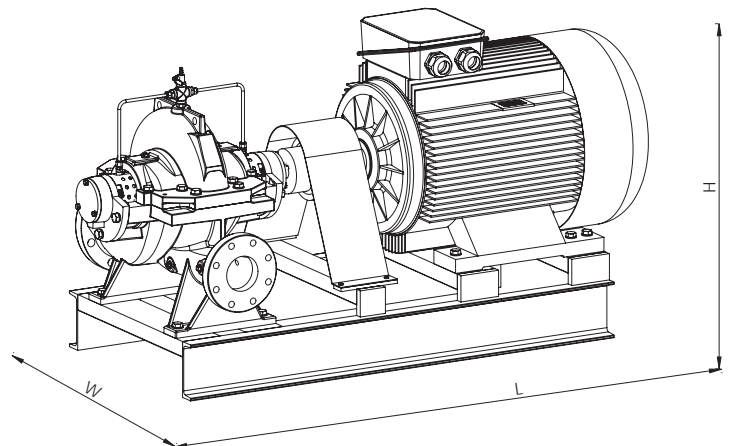
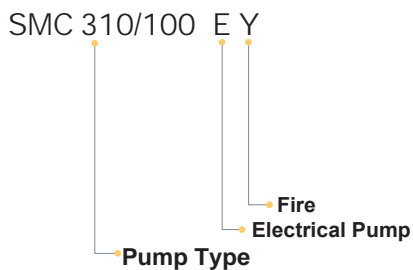
*Dimensions on the table are estimated, can be change due to engine KW

*Fire panel with sound and light alarm system with weekly test program

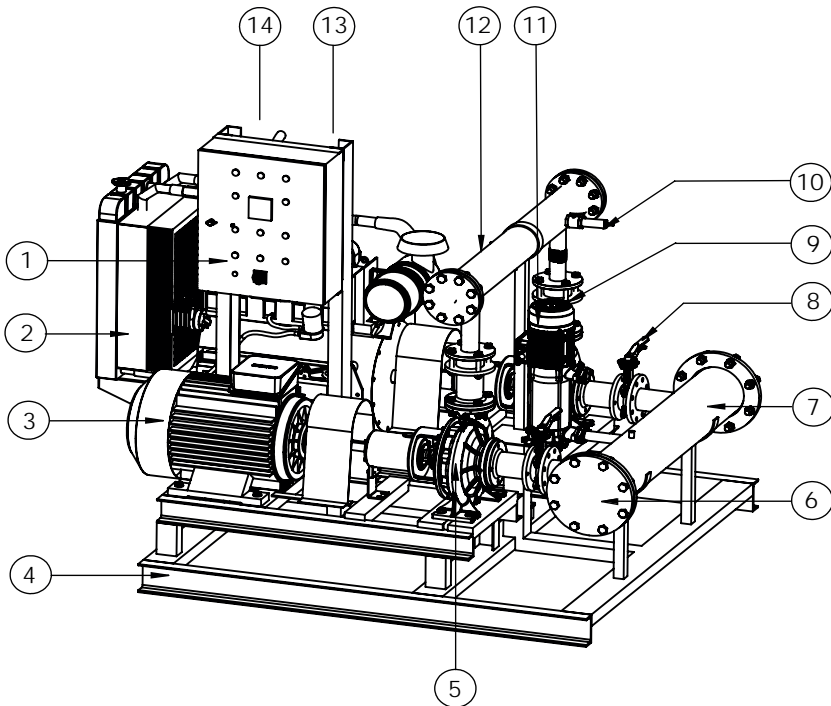
*Optionally, these booster can be manufactured with bronze impeller

*Liquid level floater with 10m cable

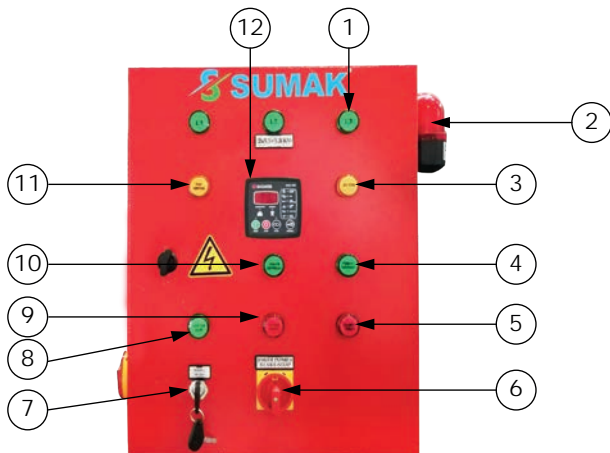
*You have to use 16 bar expansion tank for pump types with pressure above 10 bar



SMT 250 EDJY



No	PRODUCT NAME
1	Control Panel
2	Diesel Engine
3	Electrical Engine
4	Chassis
5	Electrical Pump
6	Flange
7	Suction Monifold
8	Butterfly Valve
9	Check Valve
10	Safety Valve
11	Jockey Pump
12	Discharge Monifold
13	Pressure Switch
14	Manometer
	Optionlly
Op	Bronze Impeller
Op	OS&Y Valve
Op	Butterfly Valve on Discharge Line
Op	3 Different Panel

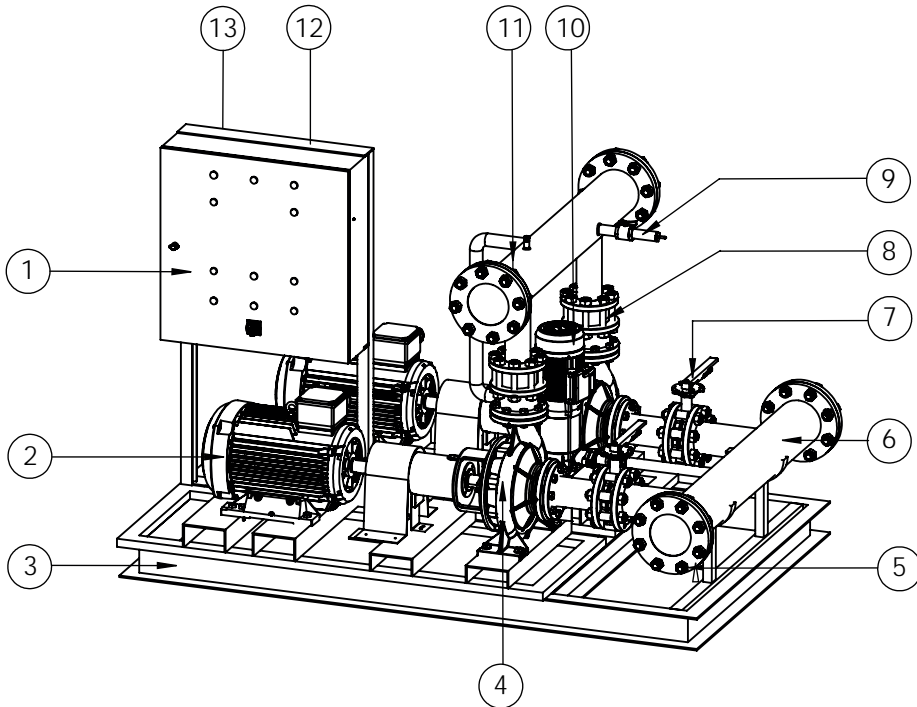


No	PRODUCT NAME
1	Three Phase Lights
2	Voice Light Alarm
3	No Water Light
4	Pump is on
5	Pump Failure
6	Jockey Start
7	Diesel Manuel Start
8	Diesel Manuel Stop
9	Jockey Pump Failure
10	Jockey Pump is on
11	Phase Failure
12	Diesel Cpntrol Panel
13	Weekly Test Card
14	Main Breaker

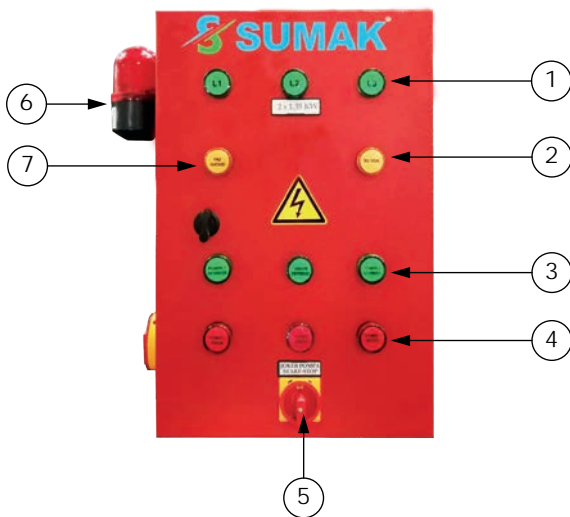
*Individual control panel for each pump is optional



SMT 250 EEJY



No	PRODUCT NAME
1	Control Panel
2	Electrical Motor
3	Chassis
4	Electrical Pump
5	Flange
6	Suction Manifold
7	Butterfly Valve
8	Check Valve
9	Safety Valve
10	Jockey Pump
11	Discharge Manifold
12	Pressure Switch
13	Manometer
	Optional
Op	Bronze Impeller
Op	OS&Y Valve
Op	Butterfly Valve on Discharge Line
Op	3 Different Panel



No	PRODUCT NAME
1	Three Phase Light
2	No Water Light
3	Pump is on
4	Pump Failure
5	Jockey Start
6	Voice Light Alarm
7	Phase Failure
8	Weekly Test Card
9	Main Breaker

**Individual control panel for each pump is optional*



Motor Power			Minimum Cable Cross Section (mm ²)										
Phase	kW	HP	Maximum Allowable Cable Length (m)	4x1	4x1.5	4x2.5	4x4	4x6	4x10	4x16	4x25	4x35	4x50
				Monophase 220 V - 50 Hz	0.37	0.5		55	80	130			
	0.55	0.75		35	55	90	140						
	0.75	1		25	40	65	105	160					
	1.1	1.5		20	30	50	75	115	190				
	1.5	2			22	36	60	90	145				
	2.2	3				30	48	72	120				
Tree Phase 380 V - 50 Hz	0.37	0.5		315									
	0.55	0.75		210	315								
	0.75	1		165	210								
	1.1	1.5		120	165	285							
	1.5	2		90	120	225	360						
	2.2	3		65	90	165	255						
	3	4		45	65	110	180	390					
	4	5.5		35	45	85	135	255	330				
	5.5	7.5			35	70	110	195	270				
	7.5	10				50	85	165	220				
	11	15				40	75	130	180	320			
	15	20					65	100	160	260	400		
	18.5	25					50	95	125	200	310		
	22	30					40	75	110	175	275		
	30	40						55	80	125	195	280	
	37	50						45	60	100	160	230	325
45	60							50	85	130	185	265	
55	75								40	70	150	220	



Çerkeşli OSB Mahallesi İMES-9 Cadde NO:14 Dilovası / KOCAELİ
Tel.: 0 (262) 502 50 10 (pbx) Faks: 0 (262) 502 50 15
E-mail: sumak@sumakpompa.com Web: <http://www.sumakpompa.com>

☎ 444 11 62

